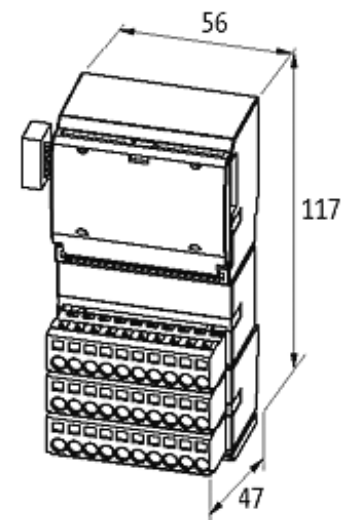


CUBE20 AO4 U/I

Expansion module
AO4 - (E) U/I

[Link to Product](#)

Illustration



Product may differ from Image

Approvals



Internal communication

Module Supply	via system connection
Current consumption	max. 25 mA from system, max. 90 mA externally (UI), idle load

Connections

Fieldbus	Ribbon cable connection
Sensor-system/actuator supply	4 × Spring clamp terminals, max. 2.5 mm ² (max. 12 A)
I/O ports	24 × Spring clamp plug-in terminals, max. 2.5 mm ²

Technical Data

Operating voltage	24 V DC (EN 61131-2)
-------------------	----------------------

General data

Protection	IP20
Mounting method	DIN-rail mountable (EN 60715)
Temperature range	0...+55 °C (storage temperature -20...+85 °C)
Dimensions H × W × D	117×56×47 mm

Voltage output signals

Load	min. 1 kOhm, (EN 61131-2)
Input range	±10 V DC, 0...10 V DC

Current outputs

Load	max. 600 Ohm, (EN 61131-2)
Input range	0...20 mA, 4...20 mA

Output

Conversion time (analog)	max. 1 ms (per channel)
Resolution (analog)	15 Bit + sign
Accuracy	max. 0.5 %
Galvanic isolation	500 V DC between inputs and internal communication

Diagnostic

Communication status	via LED
Diagnostic via LED	per module and channel
Diagnostic via BUS	per module and channel
Monitoring - under voltage	yes
Monitoring - no voltage	no
Short circuit and overload	yes
Actuator warning	per channel via LED and BUS
Wire break upper/lower limit overload	per channel via LED and BUS

Commercial data

country of origin	DE
customs tariff number	85176200
minimum order quantity	1