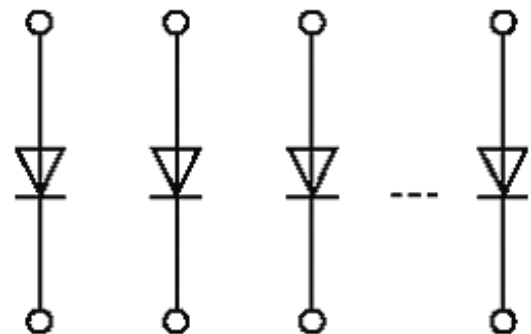


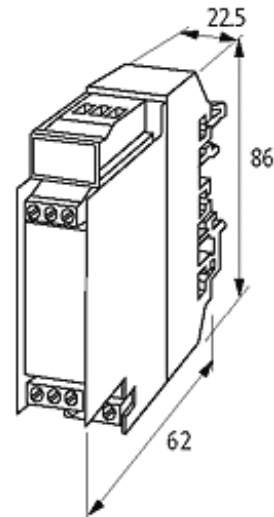
MKS - D 6/1300 - 1 DIODE MODULES

Mounting rail / screw-type terminal

Universal diode 1300 V, 1 A
6 diodes
Single

separation contact via pluggable jumpers

[Link to Product](#)**Illustration**



Product may differ from Image

Technical Data

Operating voltage max. 48 V AC/DC

General data

Connection Screw terminals: max. 4 mm²

Mounting method DIN-rail mountable TH35 or G32 (EN 60715)

Temperature range -20...+60 °C

Dimensions H × W × D 86×22.5×62 mm

Description

Functional description Diode modules are suitable for the suppression of inductive loads (valve, contactor, etc.)

Commercial data

country of origin CZ

customs tariff number 85411000

minimum order quantity 1