



Model Number

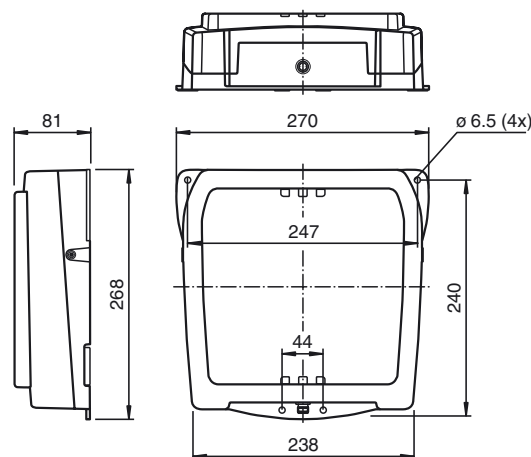
IUH-F192-V1-FR1

Read/Write head for IDENTControl - Europe, Middle East and Africa

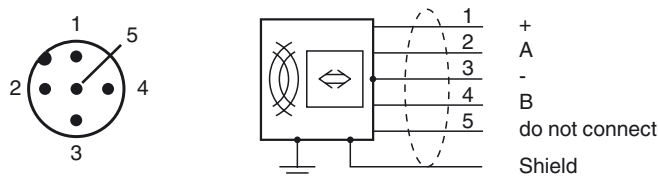
Features

- Flexible UHF read/write head with long range for use worldwide
- Ready-made PLC function blocks designed for quick and easy system integration
- Compact and robust housing for harsh industrial environments
- Switchable antenna polarization guarantees reliable tag detection and enhances process flow
- Multi-tag reading of up to 200 tags increases productivity

Dimensions



Electrical connection



Technical data

General specifications

Operating frequency	865 MHz ... 868 MHz: EU, Turkey 865 MHz ... 867 MHz: India 866 MHz ... 867.6 MHz: Russia Transmission licenses for other countries on request
Emitted power	10 ... 2000 mW ERP (ETSI 302208) adjustable
Operating distance	typ. 4 m

Functional safety related parameters

MTTF _d	128 a
-------------------	-------

Indicators/operating means

LED green	Power on
LED yellow	Read/write operation successful
LED blue	Transmission mode

Electrical specifications

Power consumption	P_0	≤ 10 W
Supply		from the IDENTControl

Ambient conditions

Ambient temperature	-25 ... 70 °C (-13 ... 158 °F)
Storage temperature	-40 ... 85 °C (-40 ... 185 °F)

Mechanical specifications

Degree of protection	IP67
Connection	M12 x 1 connector
Material	
Housing	PA 6
Base	diecast aluminum
Mass	approx. 3000 g

Compliance with standards and directives

Directive conformity	
R&TTE Directive 1995/5/EC	EN 301489-1 V1.9.2:2011 EN 301489-3 V1.6.1:2013 EN 302208-2 V1.4.1:2012 EN 60950-1:2006/A1:2010 EN 50364:2010

Standard conformity	
Degree of protection	EN 60529:2000

Approvals and certificates

Radio approval	EU: DOC-2318 India: ETA-103/2016-RLO(SR)/2441
----------------	--

Function

The IUH-F192-V1-FR1 read/write head operates in the UHF frequency range and is optimized for use in industrial applications involving greater distances. The device reads and writes passive tags in line with EPC Generation 2 (ISO/IEC 18000-63). The dense reader mode that has been implemented, which operates in accordance with ETSI EN 302208-1, prevents read/write heads installed in close proximity from interfering with one another.

Wide range of options supported for filtering data. The read/write head is connected to the IDENTControl interface using an M12 connector. The user can monitor the status of the read/write head using the integrated LEDs.

The read/write head has a typical detection range of around 4 meter; this range is determined by the tag used and can be adjusted by selecting the transmission power. Other influencing factors include the setup and installation for the specific application in question, interference from materials present in the area (in particular metal), and the ambient conditions. The read and write distances for the relevant tag, which are detailed separately, have been established in a test laboratory under ideal conditions. For this reason, the combination of read/write head and tag must be tested for the intended application under real conditions.

Accessories**IC-KP-B17-AIDA1**

IDENTControl control interface
With Ethernet interface for TCP/IP,
PROFINET, EtherNet/IP, and MODBUS
TCP protocols

IC-KP2-1HB17-2V1D

IDENTControl Compact control interface
With Ethernet interface for TCP/IP,
PROFINET, EtherNet/IP, and MODBUS
TCP protocols

IC-KP2-2HB17-2V1D

IDENTControl Compact control interface
With Ethernet interface for TCP/IP,
PROFINET, EtherNet/IP, and MODBUS
TCP protocols

IC-KP2-1HB6-V15B

Control interface unit
IDENTControl Compact
with PROFIBUS DP interface

IC-KP2-2HB6-V15B

Control interface unit
IDENTControl Compact
with PROFIBUS DP interface

IC-KP2-1HB6-2V15B

Control interface unit
IDENTControl Compact
with PROFIBUS DP interface

IC-KP2-1HRX-2V1

Control interface unit
IDENTControl Compact
with serial interface RS-232 and RS-485

IC-KP2-2HRX-2V1

Control interface unit
IDENTControl Compact
with serial interface RS-232 and RS-485

IC-KP2-2HB21-2V1D

Control interface unit
IDENTControl Compact
with EtherCAT interface

V1-G-5M-PUR-ABG-V1-W

Connecting cable, M12 to M12, PUR ca-
ble 4-pin, shielded

V1-G-10M-PUR-ABG-V1-W

Connecting cable, M12 to M12, PUR ca-
ble 4-pin, shielded

IUC72-F152-M-FR1

Data carrier

IUC76-50-FR1

Data carrier

IUC76-F157-M-FR1

Data carrier

IUC76-F203-M-FR1 10pcs

Data carrier

IUC76-C8-T14-GBL

Data carrier

IUC77-F151-M-GBL

Data carrier

IUC77-25L100-GBL 1000pcs

Release date: 2017-01-16 08:23 Date of issue: 2017-01-23 256079_eng.xml

Refer to "General Notes Relating to Pepperl+Fuchs Product Information".

Pepperl+Fuchs Group
www.pepperl-fuchs.com

USA: +1 330 486 0001
fa-info@us.pepperl-fuchs.com

Germany: +49 621 776 4411
fa-info@de.pepperl-fuchs.com

Singapore: +65 6779 9091
fa-info@sg.pepperl-fuchs.com

Accessories

Data carrier

IUC77-25L110-GBL 1000pcs

Data carrier

IUZ-MH10

Mounting accessories for wall mounting

IUZ-MH11

Mounting accessories for pole mounting

IUC78-17L73-GBL-Y270371 15Kpcs

Data carrier

IUZ-MH13

Mounting bracket for wall mounting

IUZ-MH15Mounting aid for round steel \varnothing 12 mm or
sheet 1.5 mm ... 3 mm