



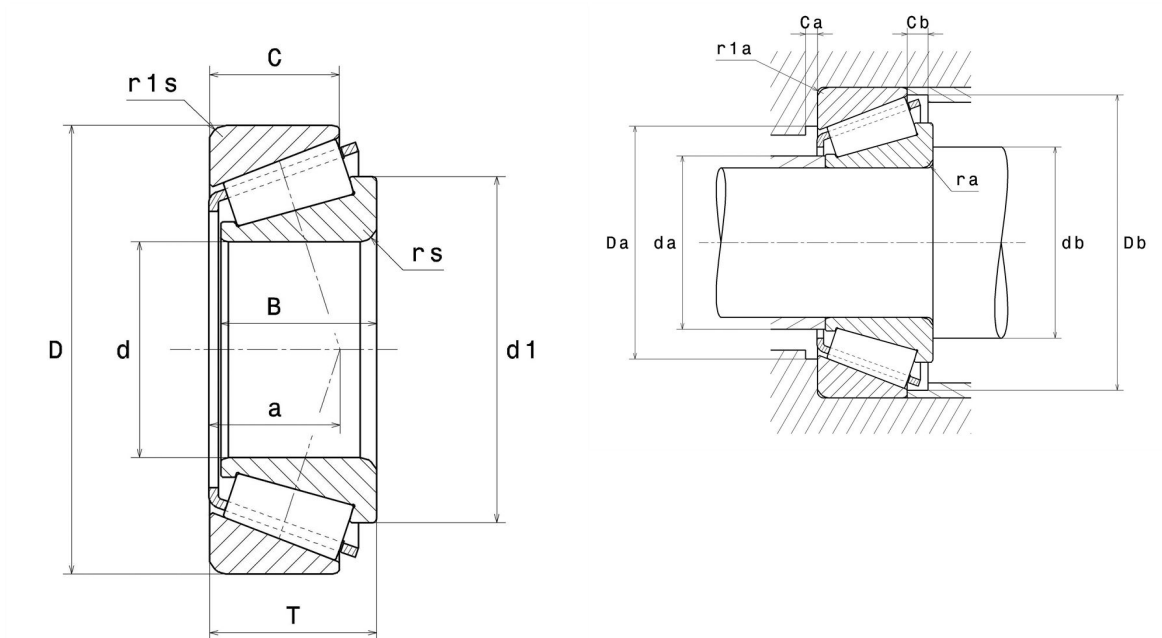
Technical data

4T-L68149/L68110

Single row tapered roller bearings

Tapered roller bearing, pressed steel cage

Visual(s)



Product definition

d	34.99 mm
D	59.13 mm
B	16.76 mm
C	11.94 mm
T	15.88 mm
a	13.4 mm
rs min	3.5 mm
r1s min	1.3 mm
e	0.42
Y2	1.44
Y0	0.79
Mass	0.17 kg
Brand	NTN

Product performance

Dynamic load, C	35.5 kN
Rating life coefficient, A2	1.4
Static load, C0	47.5 kN
Nlim (oil)	8,100 Tr/min
Nlim (grease)	6,100 Tr/min
Min operating temperature, Tmin	-40 °C
Max operating temperature, Tmax	120 °C

Abutment dimensions

ra max	3.5 mm
r1a max	1.3 mm

Calculation factors

Equivalent dynamic radial load

$$P = X.F_r + Y.F_a$$

$F_a / F_r \leq e$		$F_a / F_r > e$	
X	Y	X	Y
1	0	0.4	Y2

Equivalent static radial load

$$P_0 = X_0.F_r + Y_0.F_a$$

X_0	Y_0
0.5	Y0

If $P_0 < F_r$, then use $P_0 = F_r$

The values for e, Y2 and Y0 are shown in the above table