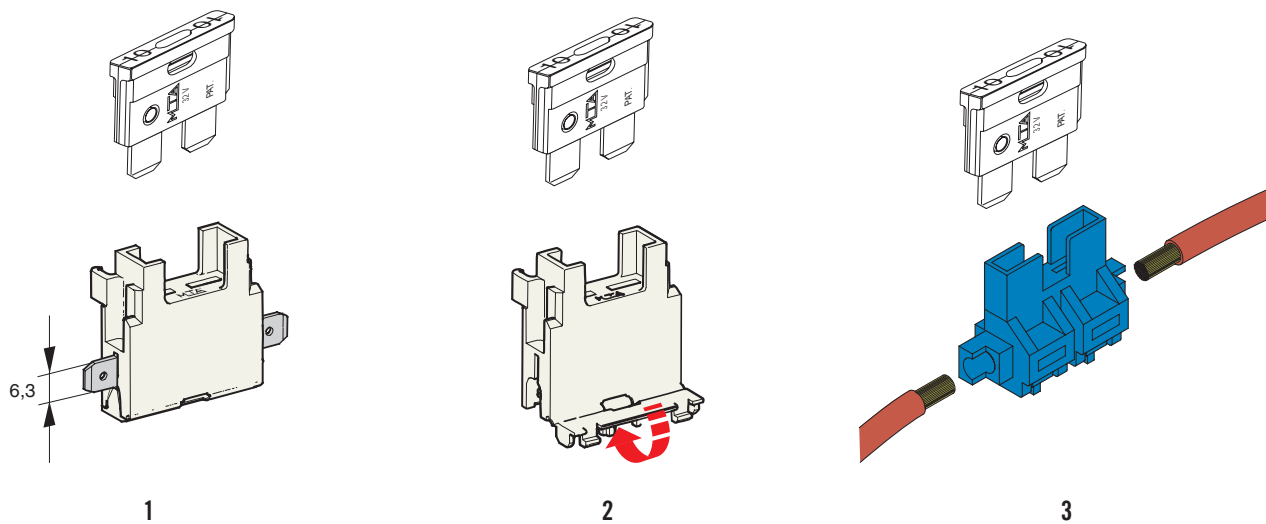
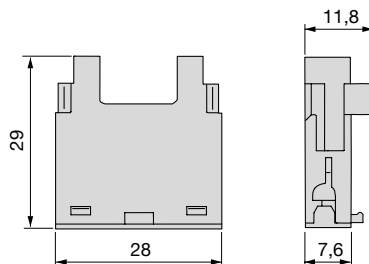


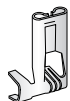
UNIVAL®HOLDER



IMG	DESCRIPTION	MATERIAL	P/N BOX	M.O.Q.	P/N BULK	M.O.Q.
1	IN LINE FUSEHOLDER WITH TERMINALS	PA66	0100341	250	0300341	1000
2	IN LINE FUSEHOLDER WITHOUT TERMINALS	PA66			0300342	2500
3	QUICK LOCK FUSEHOLDER	PA66	0100334	25		



CONNECTIONS AND FIXINGS



FASTON F630
FLAG

IMG 2