



SPLICE

TE Internal #: 485043-1

SPLICE, Splices, Splice, Splice, 4000 – 9000CMA Wire Size, Brass, Splice Material Thickness .02 in [.51 mm], Serrated, 4 Serration

[View on TE.com >](#)

Terminals & Splices > Splices



Splice Product Type: **Splice**
 Terminal & Splice Type: **Splice**
 Sealable: **No**
 Wire Size: **4000 – 9000 CMA**
 Splice Material: **Brass**

Features

Product Type Features

Barrel Style	Standard
Splice Product Type	Splice
Sealable	No
Serrated	Yes
Splice Barrel Type	Open Barrel
Splice Wire/Cable Type	Solid, Stranded
Insulated	No
Support Style	Non - Insulation Support

Configuration Features

Number of Serrations	4
----------------------	---

Body Features

Weight per Piece	.298 g[.01 oz]
Plating Material	Unplated
Splice Material	Brass



Contact Features

Terminal & Splice Type	Splice
------------------------	--------

Mechanical Attachment

Wire Insulation Support	Without
-------------------------	---------

Dimensions

Wire Size	4000 – 9000 CMA
-----------	-----------------

Splice Material Thickness	.51 mm [.02 in]
---------------------------	-----------------

Splice Overall Length	6.35 mm [.25 in]
-----------------------	------------------

Usage Conditions

Operating Temperature Range	-40 – 110 °C [-40 – 230 °F]
-----------------------------	-----------------------------

Operation/Application

Heavy Duty	No
------------	----

Industry Standards

Government Qualified Splice	No
-----------------------------	----

Packaging Features

Packaging Quantity	2500
--------------------	------

Splice Packaging Method	Reel
-------------------------	------

Product Compliance

[For compliance documentation, visit the product page on TE.com>](#)

EU RoHS Directive 2011/65/EU	Compliant
------------------------------	-----------

EU ELV Directive 2000/53/EC	Compliant
-----------------------------	-----------

China RoHS 2 Directive MIIT Order No 32, 2016	No Restricted Materials Above Threshold
---	---

EU REACH Regulation (EC) No. 1907/2006	Current ECHA Candidate List: JUN 2020 (209) Candidate List Declared Against: JUN 2020 (209) Does not contain REACH SVHC
--	---

Halogen Content	Low Halogen - Br, Cl, F, I < 900 ppm per homogenous material. Also BFR/CFR/PVC Free
-----------------	---

Solder Process Capability	Not applicable for solder process capability
---------------------------	--

Product Compliance Disclaimer

This information is provided based on reasonable inquiry of our suppliers and represents our current actual knowledge based on the information they provided. This information is subject to change. The part numbers that TE has identified as EU RoHS compliant have a maximum concentration of 0.1% by weight in homogenous materials for lead, hexavalent chromium, mercury, PBB, PBDE, DBP, BBP, DEHP, DIBP, and 0.01% for cadmium, or qualify for an exemption to these limits as defined in the Annexes of Directive 2011/65/EU (RoHS2). Finished electrical and electronic equipment products will be CE marked as required by Directive 2011/65/EU. Components may not be CE marked. Additionally, the part numbers that TE has identified as EU ELV compliant have a maximum concentration of 0.1% by weight in homogenous materials for lead, hexavalent chromium, and mercury, and 0.01% for cadmium, or qualify for an exemption to these limits as defined in the Annexes of Directive 2000/53/EC (ELV). Regarding the REACH Regulation, the information TE provides on SVHC in articles for this part number is based on the latest European Chemicals Agency (ECHA) 'Guidance on requirements for substances in articles' posted at this URL: <https://echa.europa.eu/guidance-documents/guidance-on-reach>

Compatible Parts



Also in the Series | **SPLICE**



Automotive Terminals(1)



Crimp Wire Pins, Tabs & Ferrules(1)



Splices(66)

Customers Also Bought



TE Part #61866-1
RING TERMINAL CRIMP 10-6 AWG TPBR



TE Part #61795-6
RING 18-14 AWG TPBR



TE Part #61867-2
RING CRIMP 18-14 AWG TPBR



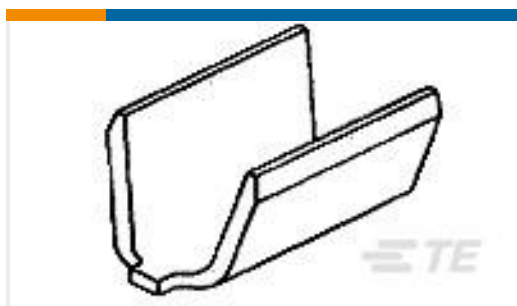
TE Part #60635-1
FASTON 250 RECEPTACLE 14-10 AWG TPBR



TE Part #61769-1
SPLICE 1200-2600 .020 BR



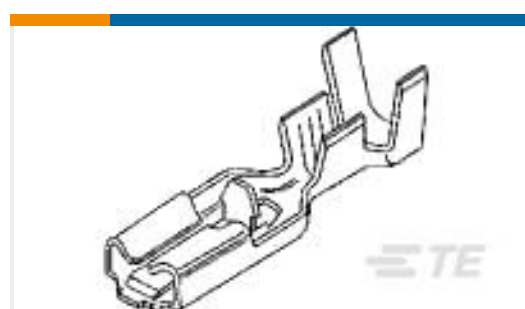
TE Part #63130-2
SPLICE REC. 1500-5000 .020 BR



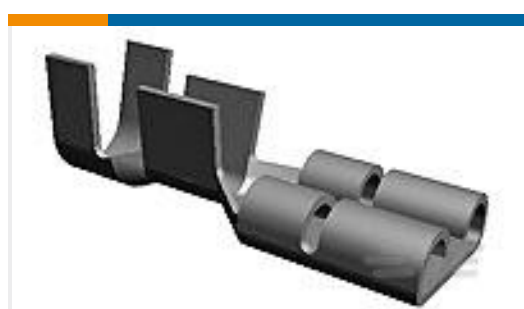
TE Part #63625-1
SPLICE 5000-16000 .025 BR



TE Part #D04950-000
ES2000-NO.1-C1-0-38MM



TE Part #63097-1
250 PL MKII REC. 18-14AWG TPBR



TE Part #63609-2
FASTON 250 RECEPTACLE 22-18 AWG TPBR

Documents

Product Drawings

[SPLICE 4000-9000 .020 BR](#)

English

CAD Files

[3D PDF](#)

[3D](#)

Customer View Model

[ENG_CVM_CVM_485043-1_AG_c-485043-1-ag.2d_dxf.zip](#)



English

Customer View Model

[ENG_CVM_CVM_485043-1_AG_c-485043-1-ag.3d_igs.zip](#)

English

Customer View Model

[ENG_CVM_CVM_485043-1_AG_c-485043-1-ag.3d_stp.zip](#)

English

By downloading the CAD file I accept and agree to the [Terms and Conditions](#) of use.

Product Specifications

Application Specification

English

Product Environmental Compliance

[MD_485043-1_01292018329_dmtec](#)

English

[MD_485043-1_01292018329_dmtec](#)

English

Agency Approvals

CSA Certificate

English