

24W UK Plug External Power Supplies

multicomp PRO

**RoHS
Compliant**



Features

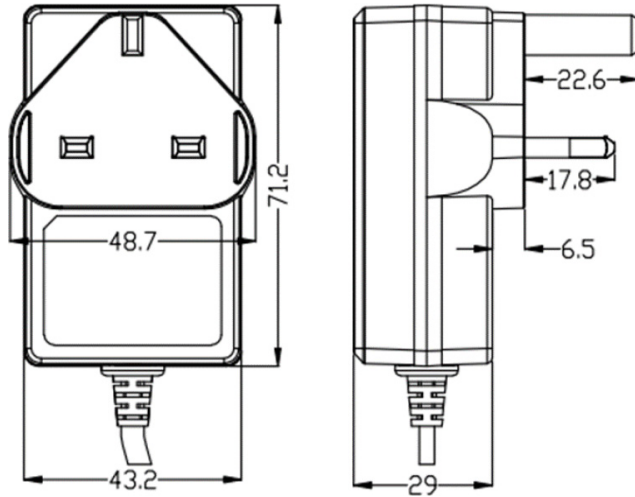
- UK Plug Top
- DOE Level VI Efficiency
- Overcurrent Protection
- Short Circuit Protection
- 1 Year Warranty
- EN62368 Approved
- DC Cable Length: 1500mm

Model		MP007774	MP007775	MP007776	MP007777
Output	DC Voltage	5V DC	9V DC	12V DC	24V DC
	Rated Current	3Amp	2.5Amp	2Amp	1Amp
	Current Range	0Amp to 3Amp	0Amp to 2.5Amp	0Amp to 2Amp	0Amp to 1Amp
	Rated Power	24 Watt			
	Ripple & Noise	240mVp-p max			
	Output Regulation	±5%			
	Output Connector	2.1mm × 5.5mm × 12mm C+ve			
Input	Voltage Range	90V AC to 264V AC			
	Frequency Range	47Hz to 63Hz			
	Input Current	1.2Amp Max			
	Inrush Current	40Amp Max			
	Standby Power	0.1W Max			
	Leakage Current	0.25Amp Max			
	Input Connector	UK			
Environment Storage Temperature	Operating Temperature	0°C to 40°C			
	Cooling	Convection			
	Temperature Coefficient	0.05 %/°C			
	Humidity	5%RH to 95%RH (non-condensing)			
Safety & EMC	Storage Temp	-20°C to +80°C			
	Safety Standards	CE EN62368-1			
	EMC Emissions	EN55032, EN55035			

24W UK Plug External Power Supplies

multicompPRO

Mechanical Specification



Dimensions : Millimetres

Part Number Table

Description	Part Number
UK Plug External Power Supply, 24W, 5V, 3A	MP007774
UK Plug External Power Supply, 24W, 9V, 2.5A	MP007775
UK Plug External Power Supply, 24W, 12V, 2A	MP007776
UK Plug External Power Supply, 24W, 24V, 1A	MP007777

Important Notice : This data sheet and its contents (the "Information") belong to the members of the AVNET group of companies (the "Group") or are licensed to it. No licence is granted for the use of it other than for information purposes in connection with the products to which it relates. No licence of any intellectual property rights is granted. The Information is subject to change without notice and replaces all data sheets previously supplied. The Information supplied is believed to be accurate but the Group assumes no responsibility for its accuracy or completeness, any error in or omission from it or for any use made of it. Users of this data sheet should check for themselves the Information and the suitability of the products for their purpose and not make any assumptions based on information included or omitted. Liability for loss or damage resulting from any reliance on the Information or use of it (including liability resulting from negligence or where the Group was aware of the possibility of such loss or damage arising) is excluded. This will not operate to limit or restrict the Group's liability for death or personal injury resulting from its negligence. DURATOOL is the registered trademark of Premier Farnell Limited 2019.

Newark.com/multicomp-pro
Farnell.com/multicomp-pro
Element14.com/multicomp-pro

multicompPRO