

## Product information

# 92 16 01 ESD

## Positioning Tweezers ESD

DIN EN 61340 -5-1



- Makes it easy to hold, insert and pull even the smallest elongated components
- With gripping surfaces in dimensionally adapted designs, for example for firmly and securely positioning or pulling sensitive rounded or cuboid components
- For through-hole technology (THT) and pin-in-hole technology (PIH)
- Antimagnetic to avoid electromagnetic damage
- ESD version only: this allows to compensate in a controlled manner the differences in potential between the operator and electronic components
- ESD versions only: with a tested black epoxy resin coating with a surface resistance between  $10^4$  and  $10^9$  ohms
- Stainless steel

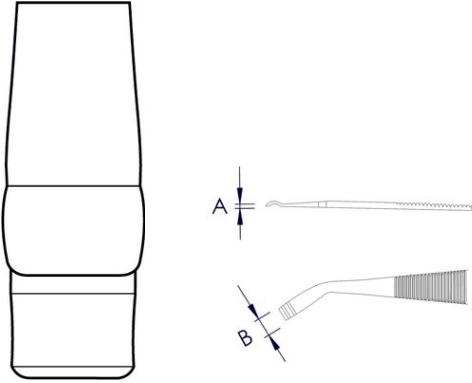
### General

Article No.	92 16 01 ESD
Reference number	578B.SA.NE.B
EAN	4003773086949
Material	stainless steel
Gripping surfaces	smooth gripping surfaces
Weight	15 g
Dimensions	120 x 10 x 14 mm
Standard	DIN EN 61340 -5-1
REACH compliant	does not contain SVHC
RoHS compliant	not applicable

### Technical details

Surface	matt finish
Tips width (A)	1.5 mm
Tips width (B)	3.8 mm
Corrosion-resistant	yes
Acid resistance	very good
ESD-tested	yes
VDE tested	no
Sectors	electronics
Magnetic	non-magnetisable (80%)
Behaviour	electrically dissipative

## Technical details



*technical change and errors excepted*