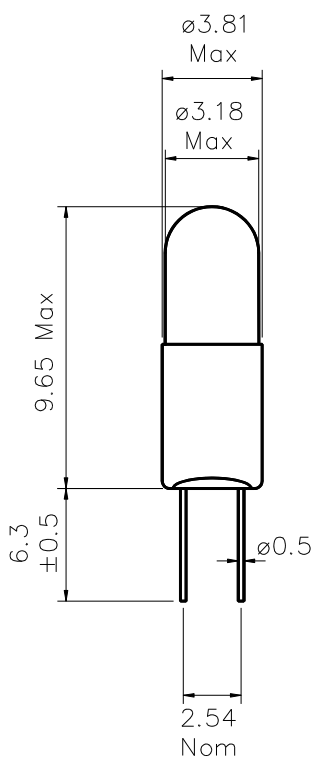


Part Number: 8-2417

Type	Size	Rating	Description
Incandescent	T3	12V 60mA	T-1 Bi-Pin Lamp



Dimensions in millimetres

TEST VOLTS	CURRENT (mA)			LIGHT OUTPUT (Lm)			LIFE Hours
	Min.	Nom.	Max.	Min.	Nom.	Max.	
12	54	60	66	1.4	1.9	2.4	16,000

Notes:

- 1 **Base Type** Bi-Pin White Nylon
- 2 **Filament Shape** C-2F
- 3 **Lamp Marking** CM8-2417
- 4 **Environmental** RoHS & REACH SVHC compliant