



Figure similar

Circuit breaker size S3 For plant protection Without phase failure protection A-release 65...84 A Short-circuit release 1170 A Screw terminal Standard switching capacity

product brand name	SIRIUS
product designation	Circuit breaker
design of the product	for system protection
product type designation	3RV2
General technical data	
size of the circuit-breaker	S3
size of contactor can be combined company-specific	S3
product extension auxiliary switch	Yes
power loss [W] for rated value of the current	
• at AC in hot operating state	39 W
• at AC in hot operating state per pole	11.3 W
insulation voltage with degree of pollution 3 at AC rated value	1 000 V
surge voltage resistance rated value	8 kV
shock resistance according to IEC 60068-2-27	25g / 11 ms Sinus
mechanical service life (operating cycles)	
• of the main contacts typical	25 000
• of auxiliary contacts typical	25 000
electrical endurance (operating cycles) typical	25 000
reference code according to IEC 81346-2	Q
Ambient conditions	
installation altitude at height above sea level maximum	2 000 m
ambient temperature	
• during operation	-20 ... +60 °C
• during storage	-50 ... +80 °C
• during transport	-50 ... +80 °C
relative humidity during operation	10 ... 95 %
Main circuit	
number of poles for main current circuit	3
adjustable current response value current of the current-dependent overload release	65 ... 84 A
operating voltage	
• rated value	20 ... 690 V
• at AC-3 rated value maximum	690 V
• at AC-3e rated value maximum	690 V
operating frequency rated value	50 ... 60 Hz
operational current rated value	84 A
operational current	
• at AC-3 at 400 V rated value	84 A
• at AC-3e at 400 V rated value	84 A

operating power	
<ul style="list-style-type: none"> ● at AC-3 <ul style="list-style-type: none"> — at 230 V rated value — at 400 V rated value — at 500 V rated value — at 690 V rated value ● at AC-3e <ul style="list-style-type: none"> — at 230 V rated value — at 400 V rated value — at 500 V rated value — at 690 V rated value 	<ul style="list-style-type: none"> 22 kW 45 kW 55 kW 75 kW 22 kW 45 kW 55 kW 75 kW
operating frequency	
<ul style="list-style-type: none"> ● at AC-3 maximum ● at AC-3e maximum 	<ul style="list-style-type: none"> 15 1/h 15 1/h
Auxiliary circuit	
number of NC contacts for auxiliary contacts	0
number of NO contacts for auxiliary contacts	0
number of CO contacts for auxiliary contacts	0
Protective and monitoring functions	
product function	
<ul style="list-style-type: none"> ● ground fault detection ● phase failure detection 	<ul style="list-style-type: none"> No No
trip class	CLASS 10
design of the overload release	thermal
maximum short-circuit current breaking capacity (I_{cu})	
<ul style="list-style-type: none"> ● at AC at 240 V rated value ● at AC at 400 V rated value ● at AC at 500 V rated value ● at AC at 690 V rated value 	<ul style="list-style-type: none"> 100 kA 65 kA 8 kA 5 kA
operating short-circuit current breaking capacity (I_{cs}) at AC	
<ul style="list-style-type: none"> ● at 240 V rated value ● at 400 V rated value ● at 500 V rated value ● at 690 V rated value 	<ul style="list-style-type: none"> 100 kA 30 kA 4 kA 3 kA
response value current of instantaneous short-circuit trip unit	1 170 A
Short-circuit protection	
product function short circuit protection	Yes
design of the short-circuit trip	magnetic
Installation/ mounting/ dimensions	
mounting position	any
fastening method	screw and snap-on mounting onto 35 mm DIN rail according to DIN EN 60715
height	165 mm
width	70 mm
depth	176 mm
required spacing	
<ul style="list-style-type: none"> ● with side-by-side mounting at the side ● for grounded parts at 400 V <ul style="list-style-type: none"> — downwards — upwards — at the side ● for live parts at 400 V <ul style="list-style-type: none"> — downwards — upwards — at the side ● for grounded parts at 500 V <ul style="list-style-type: none"> — downwards — upwards — at the side ● for live parts at 500 V <ul style="list-style-type: none"> — downwards 	<ul style="list-style-type: none"> 0 mm 70 mm 70 mm 10 mm 70 mm 70 mm 10 mm 110 mm 110 mm 10 mm 110 mm

— upwards	110 mm
— at the side	10 mm
• for grounded parts at 690 V	
— downwards	150 mm
— upwards	150 mm
— at the side	30 mm
• for live parts at 690 V	
— downwards	150 mm
— upwards	150 mm
— at the side	30 mm

Connections/ Terminals

type of electrical connection	
• for main current circuit	screw-type terminals
arrangement of electrical connectors for main current circuit	Top and bottom
type of connectable conductor cross-sections	
• for main contacts	
— solid	2x (2.5 ... 16 mm ²)
— solid or stranded	2x (2.5 ... 50 mm ²), 1x (10 ... 70 mm ²)
— finely stranded with core end processing	2x (2.5 ... 35 mm ²), 1x (2.5 ... 50 mm ²)
— finely stranded without core end processing	2x (10 ... 35 mm ²), 1x (10 ... 50 mm ²)
tightening torque	
• for main contacts for ring cable lug	4.5 ... 6 N·m
outer diameter of the usable ring cable lug maximum	19 mm
tightening torque	
• for main contacts with screw-type terminals	4.5 ... 6 N·m
design of the thread of the connection screw	
• for main contacts	M8

Safety related data

B10 value	
• with high demand rate according to SN 31920	5 000
proportion of dangerous failures	
• with low demand rate according to SN 31920	50 %
• with high demand rate according to SN 31920	50 %
failure rate [FIT]	
• with low demand rate according to SN 31920	50 FIT
T1 value for proof test interval or service life according to IEC 61508	10 a
protection class IP on the front according to IEC 60529	IP20
touch protection on the front according to IEC 60529	finger-safe, for vertical contact from the front
display version for switching status	Handle

Certificates/ approvals

General Product Approval	Declaration of Conformity	Test Certificates
---------------------------------	----------------------------------	--------------------------

[Confirmation](#)

[KC](#)



[Type Test Certificates/Test Report](#)

Test Certificates	Marine / Shipping
--------------------------	--------------------------

[Special Test Certificate](#)



Marine / Shipping	other	Railway
--------------------------	--------------	----------------



[Confirmation](#)



[Vibration and Shock](#)

[Confirmation](#)

Further information

Siemens has decided to exit the Russian market (see here).

<https://press.siemens.com/global/en/pressrelease/siemens-wind-down-russian-business>

Siemens is working on the renewal of the current EAC certificates.

Please contact your local Siemens office on the status of validity of the EAC certification if you intend to import or offer to supply these products to an EAC relevant market (other than the sanctioned EAEU member states Russia or Belarus).

Information on the packaging

<https://support.industry.siemens.com/cs/ww/en/view/109813875>

Information- and Downloadcenter (Catalogs, Brochures,...)

<https://www.siemens.com/ic10>

Industry Mall (Online ordering system)

<https://mall.industry.siemens.com/mall/en/en/Catalog/product?mlfb=3RV2041-4RA10-0DA0>

Cax online generator

<http://support.automation.siemens.com/WW/CAXorder/default.aspx?lang=en&mlfb=3RV2041-4RA10-0DA0>

Service&Support (Manuals, Certificates, Characteristics, FAQs,...)

<https://support.industry.siemens.com/cs/ww/en/ps/3RV2041-4RA10-0DA0>

Image database (product images, 2D dimension drawings, 3D models, device circuit diagrams, EPLAN macros, ...)

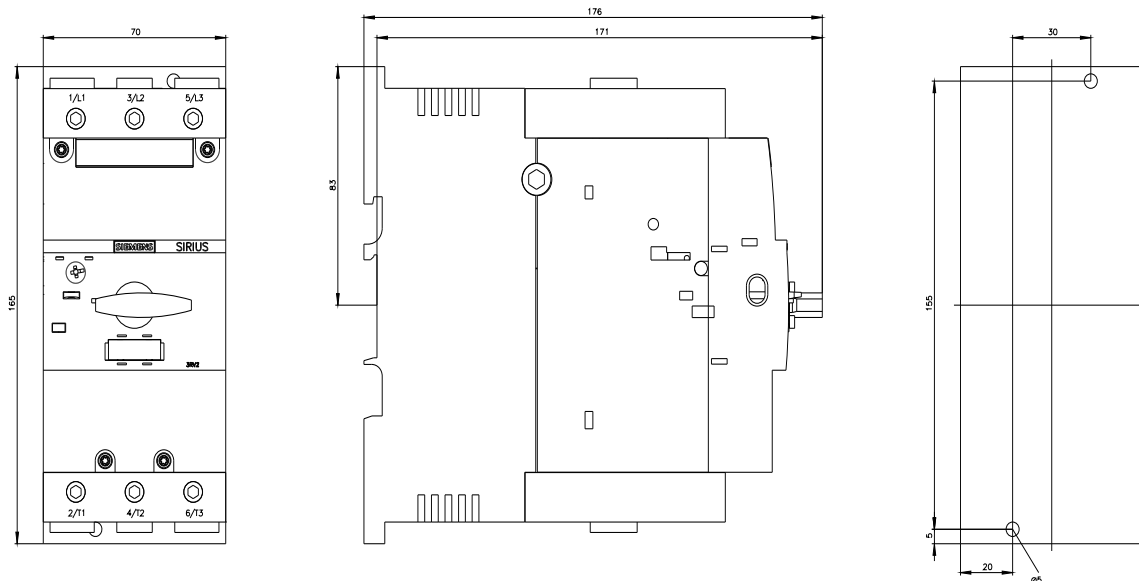
http://www.automation.siemens.com/bilddb/cax_de.aspx?mlfb=3RV2041-4RA10-0DA0&lang=en

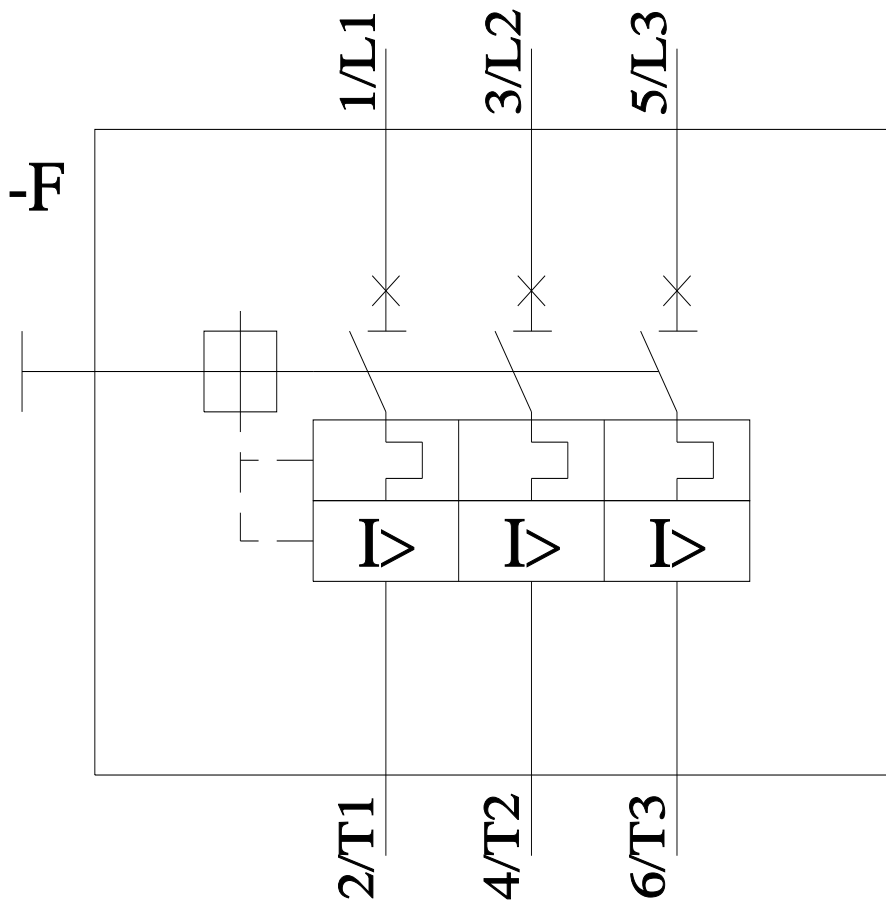
Characteristic: Tripping characteristics, I²t, Let-through current

<https://support.industry.siemens.com/cs/ww/en/ps/3RV2041-4RA10-0DA0/char>

Further characteristics (e.g. electrical endurance, switching frequency)

<http://www.automation.siemens.com/bilddb/index.aspx?view=Search&mlfb=3RV2041-4RA10-0DA0&objecttype=14&gridview=view1>





last modified:

11/21/2022