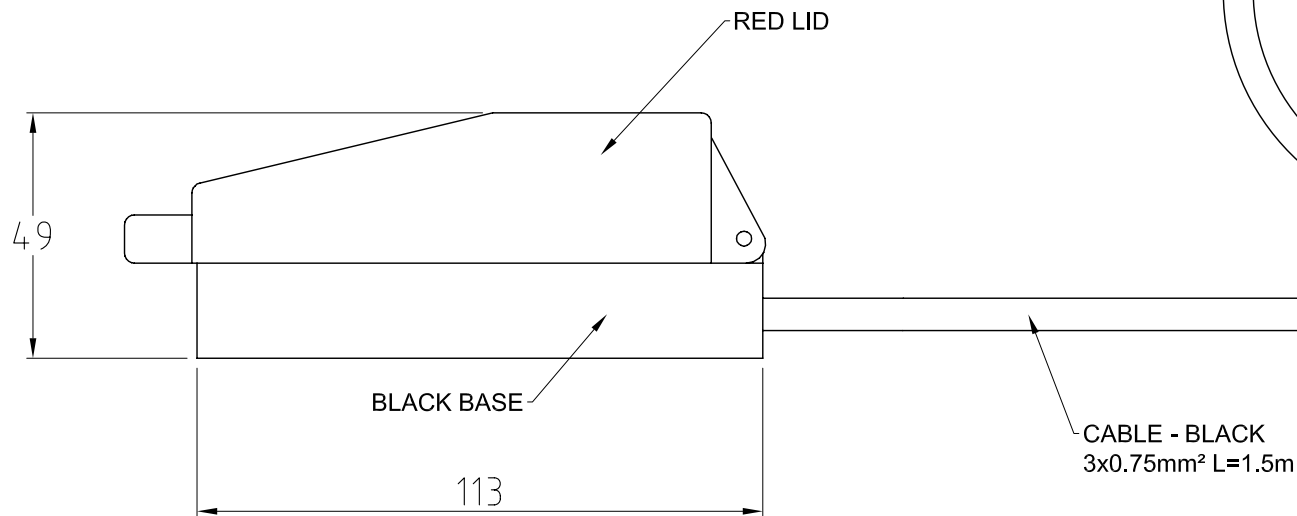
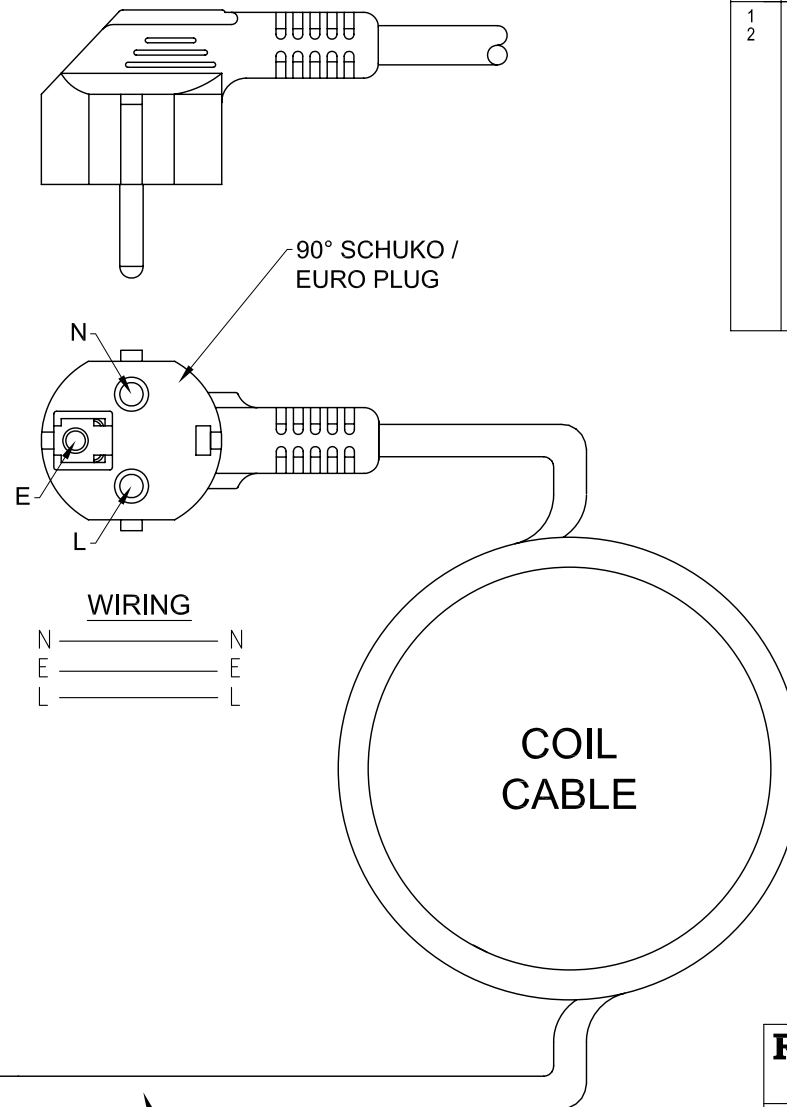
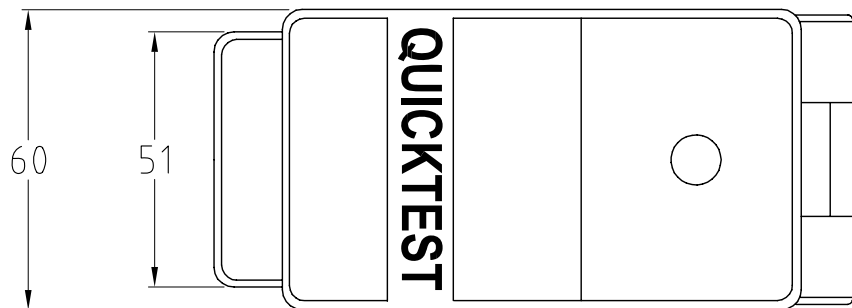


ISS.	AMEND	DATE
1	1st DRAWN	08/02/10
2	WIRING ADDED	03/06/10

NOTE:

- A) PACK IN POLY BAG WITH LEAFLET.
- B) FIT 5A FUSE.



RoHS
COMPLIANT

TOLERANCE
 NO DEC. PLACE ±
 1 DEC. PLACE ±
 2 DEC. PLACE ±
 HOLE Ø ±
 ANGLES ±
 UNLESS OTHERWISE STATED

Cliff Electronic Components Ltd.

76 Holmethorpe Avenue, Holmethorpe Industrial Estate,
 Redhill, Surrey, RH1 2PF, England, UK
 Tel: 01737-771375 Fax: 01737-766012 Website: www.cliffuk.co.uk

THE CONTENTS OF THIS DOCUMENT MUST NOT BE COPIED OR DISCLOSED TO A 3rd PARTY WITHOUT WRITTEN PERMISSION OF CLIFF UK. © 2010

DIMENSIONS IN MILLIMETERS UNLESS OTHERWISE STATED. WORK TO DIMENSIONS. REMOVE ALL BURRS. IF IN DOUBT ASK.

3rd ANGLE PROJECTION:

DO NOT SCALE

MATERIAL: COMPOSITE
 FINISH: AS SUPPLIED / MOULDED

TITLE: EURO QUICKTEST QT1 ASSY 1.5m

DRAWN: T.J.O. APPROVED: D.P.J.

DRWG. No. **CL1860**

FORM: A4DRWGH