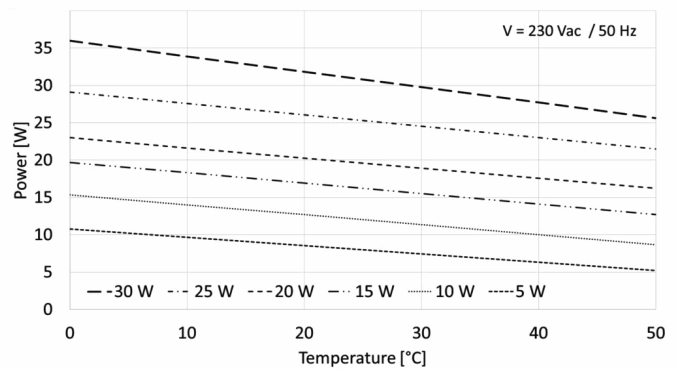
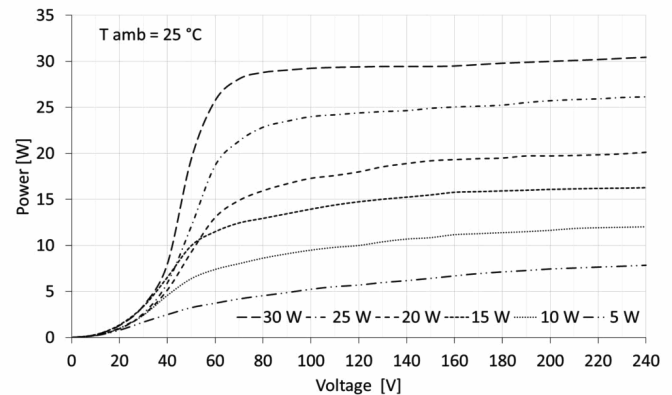
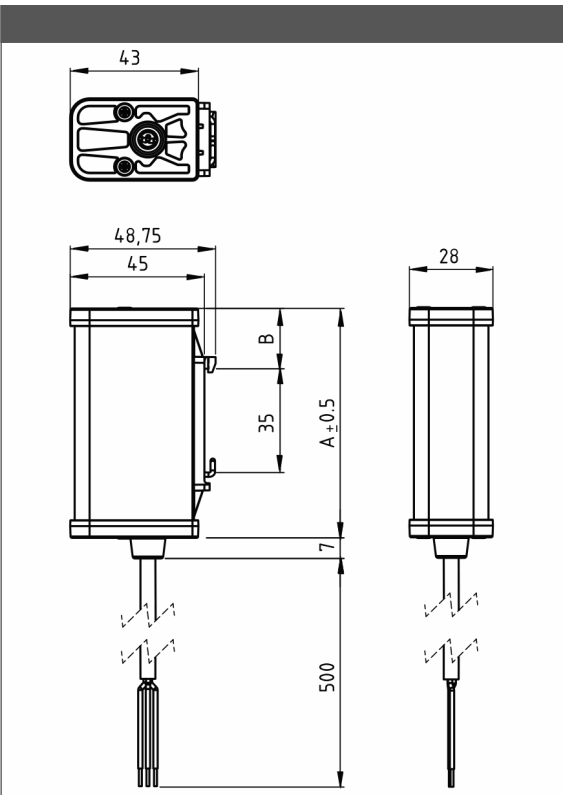


"HWM" HEATERS WITH CABLE

Description: **metal cover 5/10/15/20/25/30W**



Heating element:	PTC thermistor, self regulating
Heat sink:	black anodised extruded aluminium profile
Cover material:	black anodised aluminium
Method of mounting:	snap-on fixing on RAIL 35mm EN 50022
Rated temperature range:	from -30°C to +50°C
Storage temp. range	from -40°C to +70°C
Protection degree by heaters:	IP20
Electrical connection:	by 3 poles cable L-N-PE
External cable:	3 x 20 AWG cable 500 mm lenght with FEP insulation and external silicone rubber jacket class I
Appliance class:	50/60 Hz
Rated frequency:	265 V a.c./d.c.
Max voltage:	EN 60335-1, UL508, CSA C22.2 No.14-13
Applicable standards:	CE; cURus certified till max 50°C



Model	Dimension		Heating Power [W]	I max* [A]	Rated voltage [V]	Weight [Kg]	Approvals
	A [mm]	B [mm]					
HWM005	78	20.5	5	1.1	110-240 V a.c./d.c.	0.110	CE; cURus;
HWM010	78	20.5	10	1.2	110-240 V a.c./d.c.	0.110	CE; cURus;
HWM015	78	20.5	15	2.2	110-240 V a.c./d.c.	0.110	CE; cURus;
HWM020	78	20.5	20	2.0	110-240 V a.c./d.c.	0.110	CE; cURus;
HWM025	108	35.5	25	1.2	110-240 V a.c./d.c.	0.150	CE; cURus;
HWM030	108	35.5	30	1.1	110-120 V a.c./d.c.	0.150	CE; cURus;
HWM030X	108	35.5	30	1.1	110-240 V a.c./d.c.	0.150	CE;

*Maximum transient current after power on. These values have an uncertainty of 10%.

All specifications, data and drawing are subject to change without notice and are approximate. Please refer to our terms of sales including our warranty and limited liabilities clause.