

BRACKET

Glass-fibre reinforced polyamide based (PA) technopolymer, black colour, matte finish.

BUSHINGS, WASHERS AND STOP RING

AISI 304 stainless steel.

BEARING

High quality with traceability codes. Chrome steel.

LUBRICATOR

Nickel-plated brass.

PACKING RINGS

NBR rubber.

COVER

Glass-fibre reinforced polypropylene based (PP) technopolymer, RAL 7015 grey colour, matte finish.

Closed cap for head bracket or for pass-through shafts.

STANDARD EXECUTIONS

- **UCP-T:** head bracket with closed cap.
- **UCP-P:** bracket for pass-through shaft with drilled cover and NBR rubber packing ring for rotating shafts.

FEATURES AND APPLICATIONS

Overall dimensions are in compliance with ISO 3228.
A system of completely sealed packing rings assures the protection of the bearing from dirt ingress.
Max shaft misalignment = 2,5°.

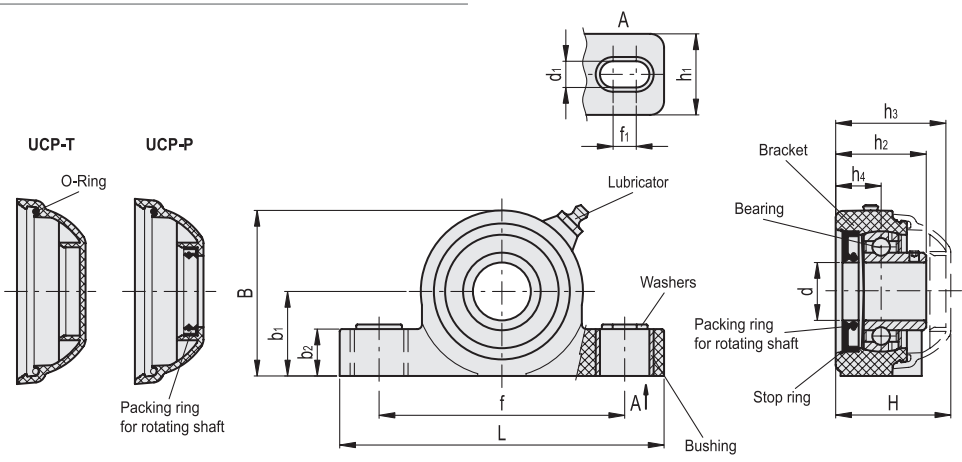
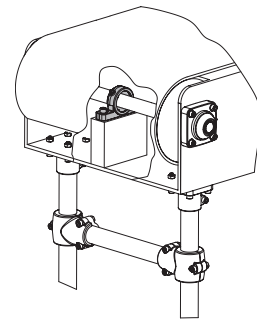
INSTRUCTIONS OF USE

Assembly with shafts without end stops. For optimum operation, we recommend periodic lubrication with a common grease resistant to high temperatures and oxidation.

SPECIAL EXECUTIONS ON REQUEST

- AISI 440C stainless steel bearing.
- Bearing in inch sizes.
- Brackets for shafts with diameters in different sizes.
- Brackets in polypropylene based (PP) technopolymer, packing rings and oil seal in VITON®*.

* Registered trademark by DuPont Dow Elastomers.



| Code | Description | d | d1 | f1 | H | L | B | f | b1 | b2 | h1 | h2 | h3 | h4 | Bearing static load [N] | Bearing dynamic load [N] | Bracket load [N] | ⚖️ |
|--------|----------------|----|----|----|------|-----|------|-----|------|----|----|------|----|------|-------------------------|--------------------------|------------------|-----|
| 419553 | UCP.205-C-25-T | 25 | 13 | 10 | 51.7 | 140 | 71.5 | 106 | 36.5 | 20 | 35 | 39 | 49 | 19.6 | 7000 | 14000 | 6000 | 333 |
| 419563 | UCP.206-C-30-T | 30 | 13 | 10 | 55.7 | 163 | 84.5 | 121 | 43 | 20 | 36 | 41.7 | 53 | 20.7 | 11000 | 19000 | 9000 | 456 |
| 419533 | UCP.205-C-25-P | 25 | 13 | 10 | 51.7 | 140 | 71.5 | 106 | 36.5 | 20 | 35 | 39 | - | 19.6 | 7000 | 14000 | 6000 | 339 |
| 419543 | UCP.206-C-30-P | 30 | 13 | 10 | 55.7 | 163 | 84.5 | 121 | 43 | 20 | 36 | 41.7 | - | 20.7 | 11000 | 19000 | 9000 | 463 |

