



Connection 4p horizontal/vertical

Part no. IZMX-THV164-1
Article no. 183971
Catalog No. 65A2606G02

Delivery programme

Product range			Accessories
Accessories			Main terminal kits
Accessories			Horizontal and vertical connections
			This connection kit comes with T-shaped adapters for the main terminals; these adapters can be used either as horizontal or vertical connectors. Each set contains the connections for top and bottom. 3 pole = 6 off; 4 pole = 8 off Rear universal connection for withdrawable unit.
Rated current	I_n	A	630 - 1600
Pole			4
For use with			IZMX164... INX164...

Design verification as per IEC/EN 61439

Technical data for design verification			
Operating ambient temperature min.		°C	-25
Operating ambient temperature max.		°C	70

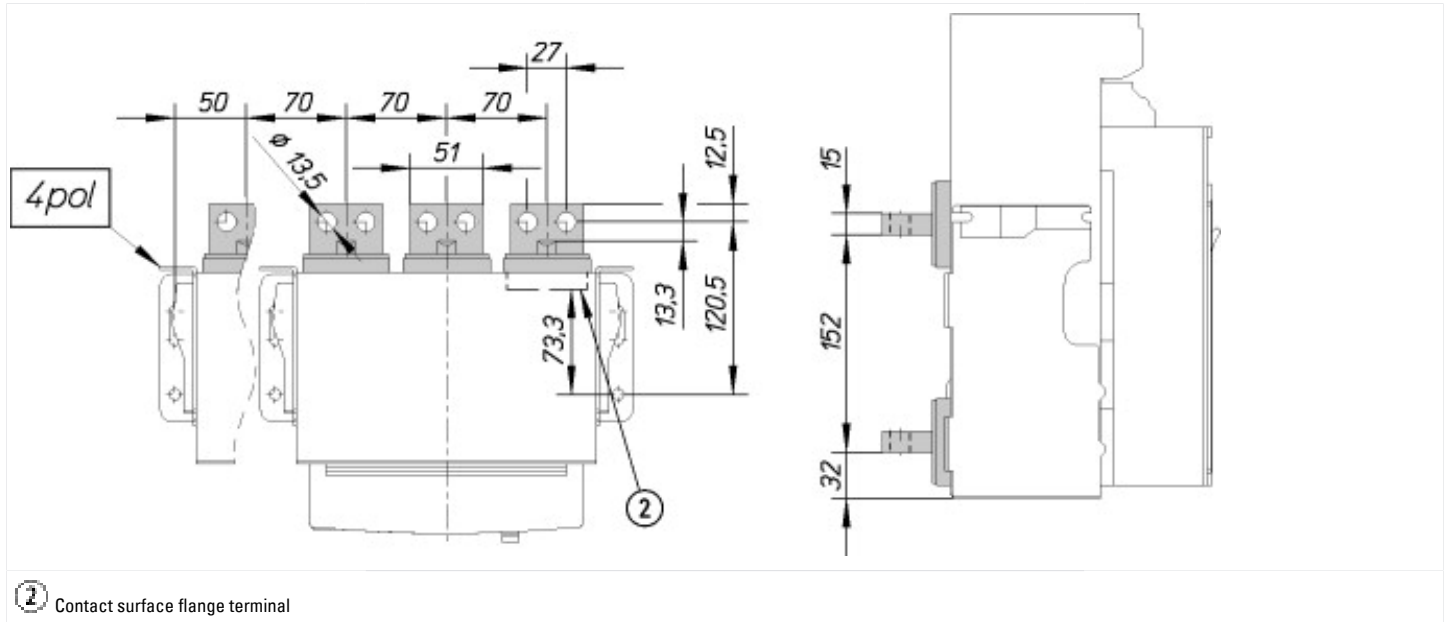
Technical data ETIM 6.0

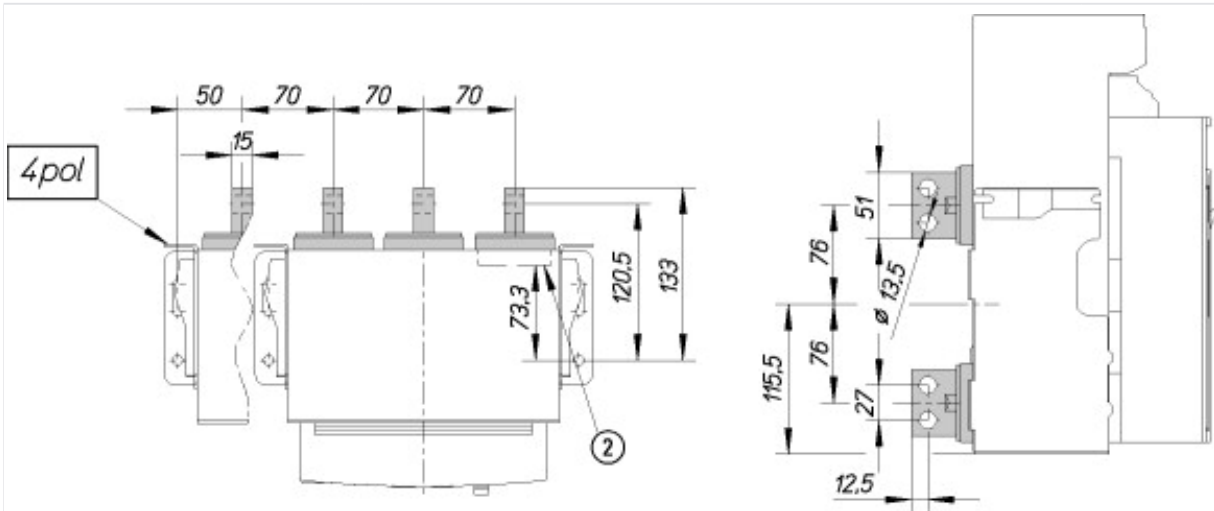
Low-voltage industrial components (EG000017) / Connection vane/phase spreader (EC002019)

Electric engineering, automation, process control engineering / Low-voltage switch technology / Component for low-voltage switching technology / Connection vane/phase spreader (ec1@ss8.1-27-37-13-05 [ACN990009])

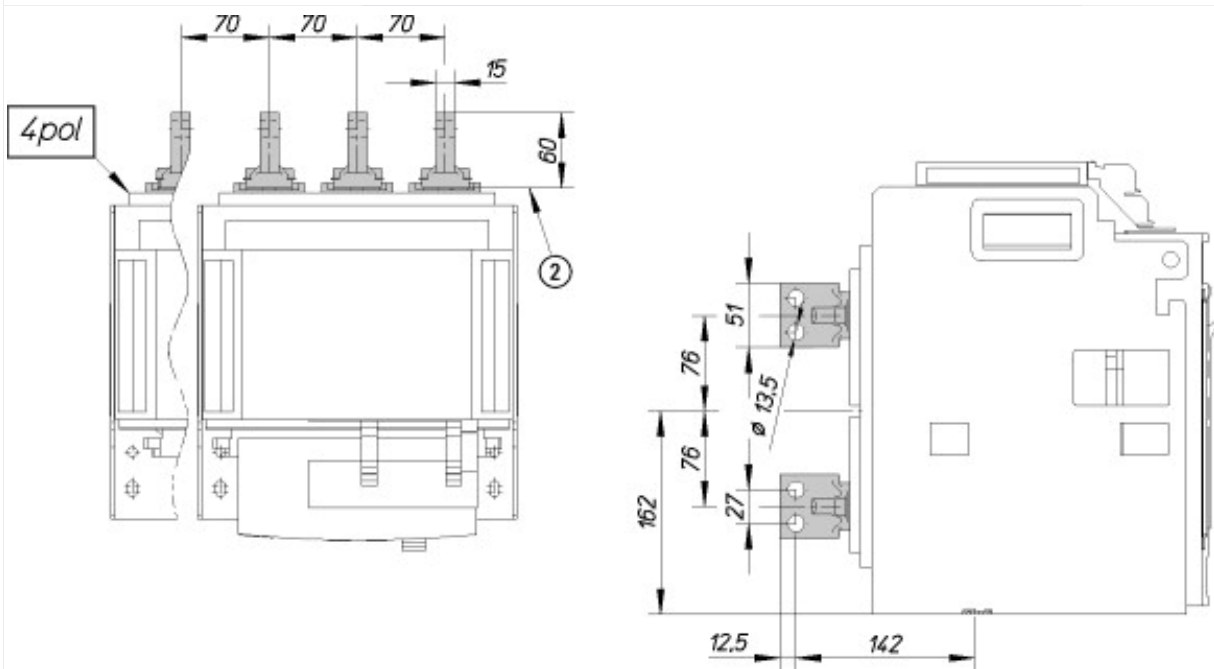
Suitable for number of poles 4

Dimensions

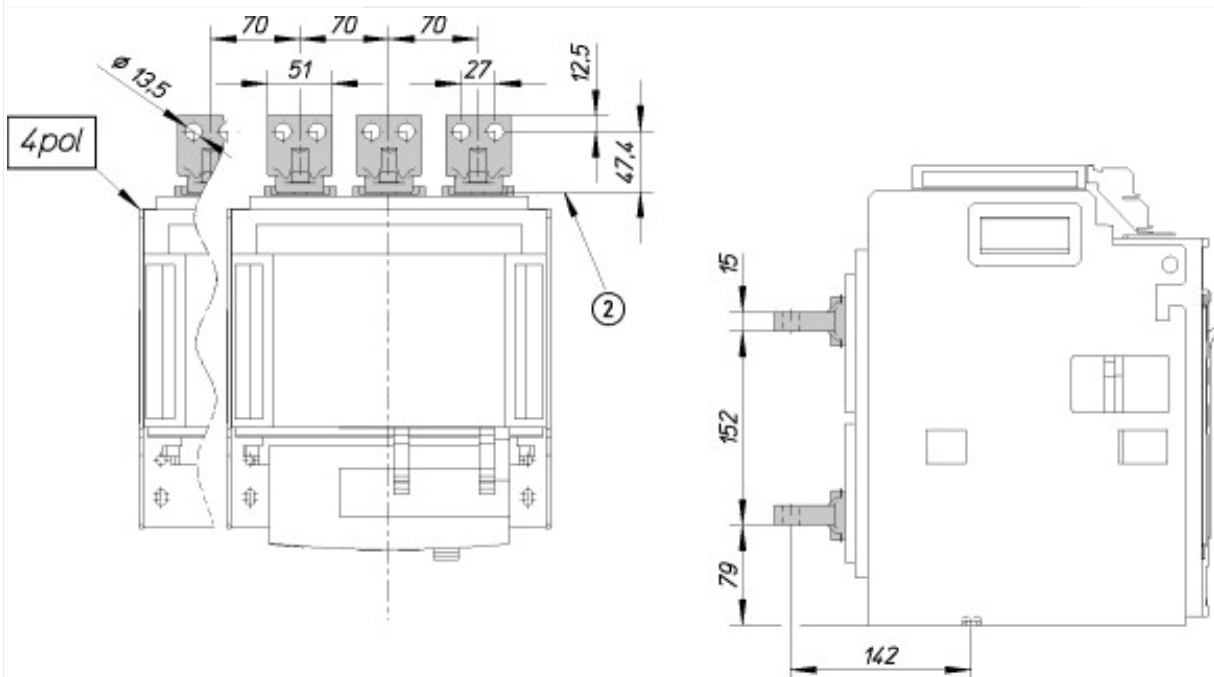




② Contact surface flange terminal



② Contact surface flange terminal



② Contact surface flange terminal

