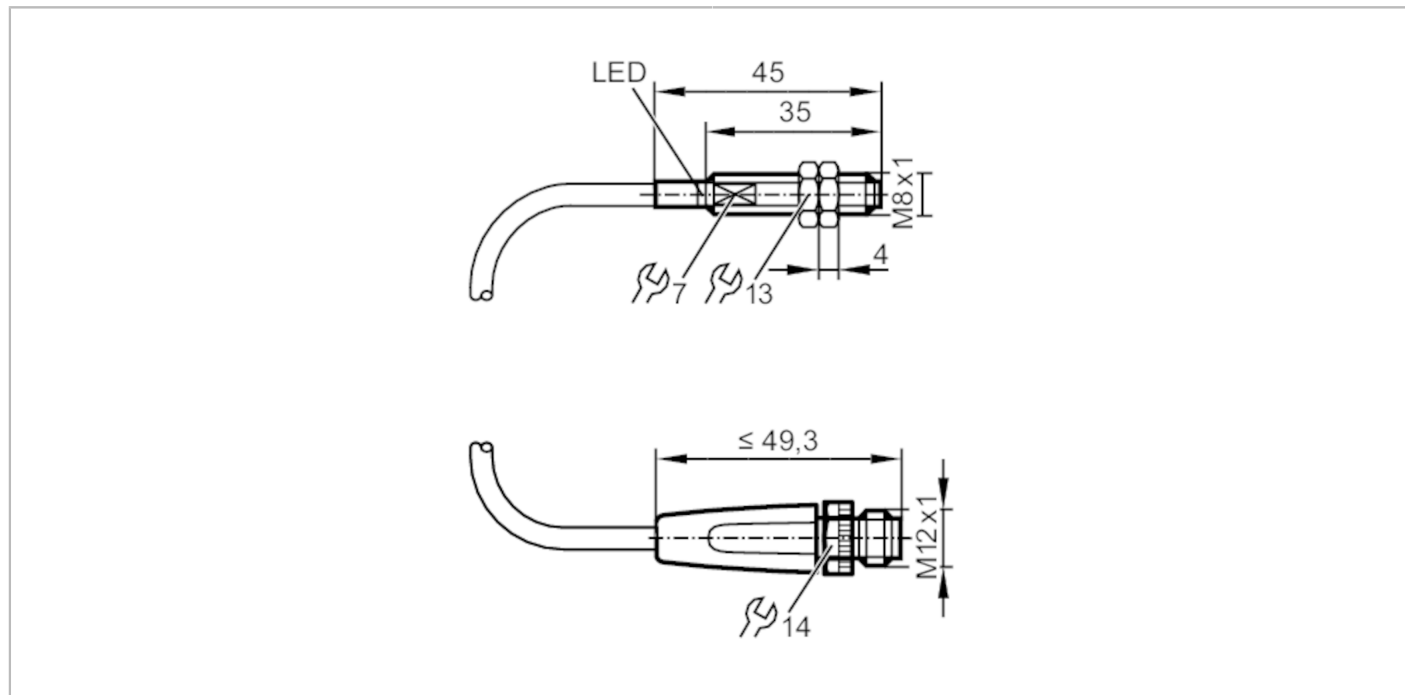


# IER206



## Inductive full-metal sensor

IEB2002BARKG/AM/SC/UP/0,3M/US/



Product characteristics	
Electrical design	PNP/NPN
Output function	normally open
Sensing range [mm]	2
Housing	threaded type
Dimensions [mm]	M8 x 1 / L = 45
Application	
Special feature	Gold-plated contacts; Increased sensing range; Full-metal housing; Optical setting aid; anti-spatter
Application	Use in welding applications
Electrical data	
Operating voltage [V]	10...36 DC
Protection class	III
Reverse polarity protection	yes

# IER206



## Inductive full-metal sensor

IEB2002BARKG/AM/SC/UP/0,3M/US/

Outputs		
Electrical design	PNP/NPN	
Output function	normally open	
Max. voltage drop switching output DC [V]	4.5	
Minimum load current [mA]	2	
Max. leakage current [mA]	0.75	
Permanent current rating of switching output DC [mA]	100	
Switching frequency DC [Hz]	150	
Short-circuit protection	yes	
Type of short-circuit protection	pulsed	
Overload protection	yes	
Detection zone		
Sensing range [mm]	2	
Operating distance [mm]	0...1.6	
Increased sensing range	yes	
Accuracy / deviations		
Correction factor	steel: 1 / stainless steel: 0.6 / brass: 0.4 / aluminium: 0.3 / copper: 0.2	
Hysteresis [% of Sr]	1...20	
Operating conditions		
Ambient temperature [°C]	-25...70	
Protection	IP 67	
Tests / approvals		
EMC	EN 61000-4-2 ESD	4 kV CD / 8 kV AD
	EN 61000-4-3 HF radiated	10 V/m
	EN 61000-4-4 Burst	2 kV
	EN 61000-4-6 HF conducted	10 V
	EN 55011	class B
Impact resistance		1 J
MTTF [years]		1460
UL approval	Ta	0...40 °C
	Enclosure type	Type 1
	voltage supply	Limited Voltage/Current
	File number UL	E174191
Mechanical data		
Weight [g]	35.9	
Housing	threaded type	
Mounting	flush mountable	
Dimensions [mm]	M8 x 1 / L = 45	
Thread designation	M8 x 1	
Materials	housing: stainless steel (1.4404 / 316L) anti-spatter; sensing face: stainless steel (1.4404 / 316L) anti-spatter; lock nuts: stainless steel (1.4404 / 316L) anti-spatter	
Full-metal housing	yes	

# IER206



## Inductive full-metal sensor

IEB2002BARKG/AM/SC/UP/0,3M/US/

Displays / operating elements		
Display	switching status	1 x LED, green
	setting aid	1 x LED, red
Optical setting aid	yes	
Accessories		
Accessories (supplied)	lock nuts: 2	
Remarks		
Pack quantity	1 pcs.	

**Electrical connection - plug**  
Cable: 0.3 m, PUR; 2 x 0.34 mm<sup>2</sup>

Connector: 1 x M12; Contacts: gold-plated

