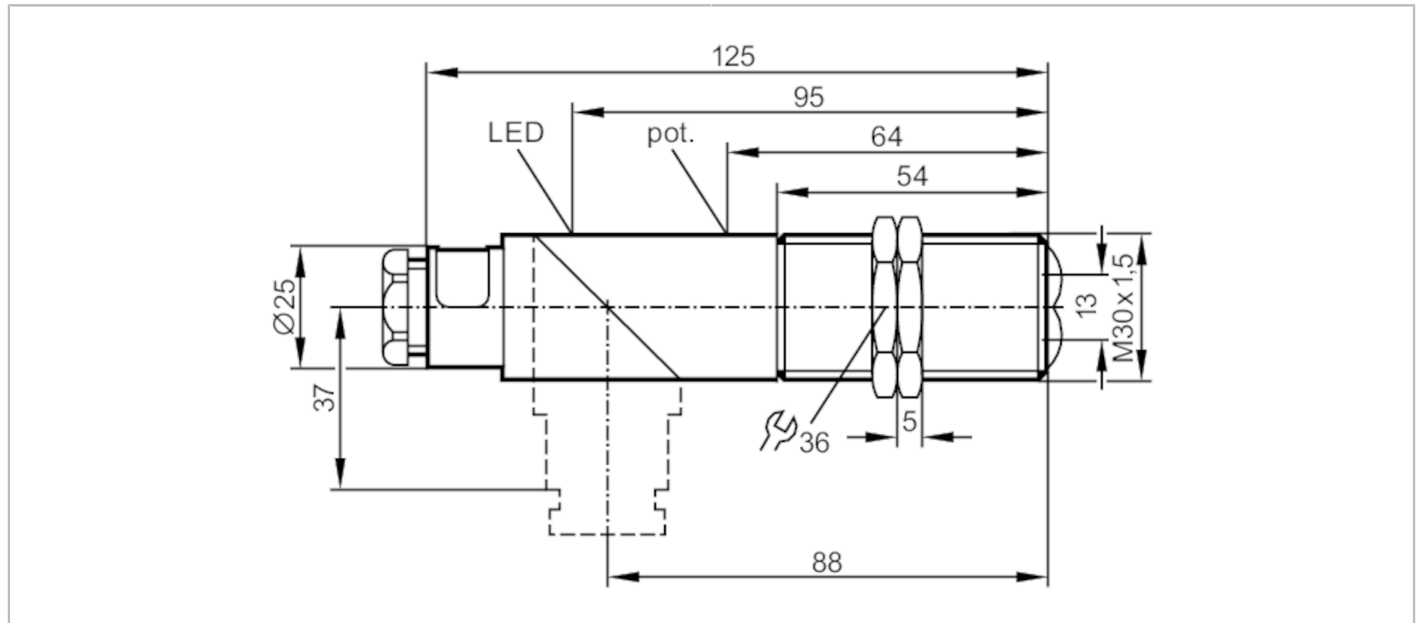




Retro-reflective sensor

OIP-FBOA



Product characteristics

| | |
|-----------------|---------------------|
| Type of light | red light |
| Housing | threaded type |
| Dimensions [mm] | M30 x 1.5 / L = 125 |

Application

| | |
|--------------------|-------------------------|
| Special feature | polarisation filter |
| Function principle | Retro-reflective sensor |

Electrical data

| | |
|-----------------------------|----------------|
| Operating voltage [V] | 20...250 AC/DC |
| Protection class | II |
| Reverse polarity protection | no |
| Type of light | red light |
| Wave length [nm] | 660 |



Retro-reflective sensor

OIP-FBOA

| Outputs | |
|--|--|
| Output function | light-on/dark-on mode; (programmable) |
| Max. voltage drop switching output DC [V] | 10.5 |
| Max. voltage drop switching output AC [V] | 10.5 |
| Minimum load current [mA] | 15 |
| Max. leakage current [mA] | 6 |
| Permanent current rating of switching output AC [mA] | 250; (350 (...50 °C)) |
| Permanent current rating of switching output DC [mA] | 250; (350 (...50 °C)) |
| Short-time current rating of switching output [mA] | 2200; (10 ms / 0,5 Hz) |
| Switching frequency AC [Hz] | 25 |
| Switching frequency DC [Hz] | 35 |
| Short-circuit proof | no |
| Overload protection | no |
| Detection zone | |
| Range referred to prismatic reflector [m] | 0.15...2; (Prismatic reflector Ø 80 E20005) |
| Range adjustable | yes |
| Max. light spot diameter [mm] | 200 |
| Light spot dimensions refer to | at maximum range |
| Polarisation filter available | yes |
| Operating conditions | |
| Ambient temperature [°C] | -25...60 |
| Protection | IP 65 |
| Tests / approvals | |
| EMC | EN 60947-5-2 |
| MTTF [years] | 310 |
| Mechanical data | |
| Weight [g] | 121 |
| Housing | threaded type |
| Dimensions [mm] | M30 x 1.5 / L = 125 |
| Thread designation | M30 x 1.5 |
| Materials | PBT; PPO modified |
| Lens material | PMMA |
| Displays / operating elements | |
| Display | switching status |
| | 1 x LED, yellow |
| Electrical connection | |
| Required protection | miniature fuse to IEC60127-2 sheet 1; ≤ 2 A; fast acting |
| Accessories | |
| Accessories (supplied) | lock nuts: 2 x screwdrivers |

OI0003



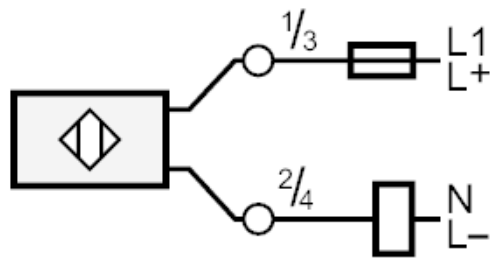
Retro-reflective sensor

OIP-FBOA

| Remarks | |
|---------------|---|
| Remarks | Recommendation: Check the safe functioning of the unit after a short circuit. |
| Pack quantity | 1 pcs. |

Electrical connection
terminals: ...1.5 mm²; Cable sheath: Ø 7...13 mm; Cable gland: M20 X 1.5

Connection



Note : miniature fuse to IEC60127-2 sheet 1 ≤ 2 A fast acting



Retro-reflective sensor

OIP-FBOA

Diagrams and graphs

excess gain graph

