



Figure similar

SEPARATE ACTUATOR, UNIVERSAL RADIUS ACTUATOR 'HEAVY DUTY' VERSION VERTICALLY AND HORIZONTALLY ADJUSTABLE, L= 67 MM FOR POSITION SWITCHES WITH TUMBLER 3SE5312../3SE5322.. AND ASI 3SF13... AND POSITION SWITCHES WITH SEPARATE ACTUATOR 3SE51../ 3SE52.. AND ASI - WITH SEPARATE ACTUATOR 3SF11../3SF12..

Product designation	actuator
---------------------	----------

General technical data:

Shock resistance		30g / 11 ms
Vibration resistance		0.35 mm / 5g
Mechanical service life (switching cycles)		
• typical		1 000 000
Equipment marking		
• acc. to DIN EN 61346-2		T
• acc. to DIN EN 81346-2		T
Active principle		mechanical

Drive Head:

Design of the operating mechanism	universal actuator
-----------------------------------	--------------------

Ambient conditions:

Ambient temperature		
• during operation	°C	-25 ... +85
• during storage	°C	-40 ... +90

Installation/ mounting/ dimensions:

mounting position	any
Mounting type	screw fixing

Certificates/ approvals:

General Product Approval	Declaration of Conformity	Test Certificates	other
--------------------------	---------------------------	-------------------	-------



[Special Test Certificate](#)

[Confirmation](#)

### Further information

**Information- and Downloadcenter (Catalogs, Brochures,...)**

<http://www.siemens.com/industrial-controls/catalogs>

**Industry Mall (Online ordering system)**

<http://www.siemens.com/industrymall>

**Cax online generator**

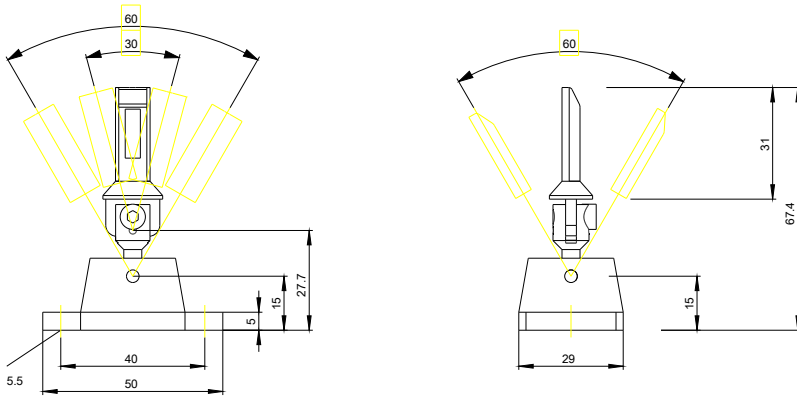
<http://support.automation.siemens.com/WW/CAXorder/default.aspx?lang=en&mlfb=3SE50000AV071AK2>

**Service&Support (Manuals, Certificates, Characteristics, FAQs,...)**

<http://support.automation.siemens.com/WW/view/en/3SE50000AV071AK2/all>

**Image database (product images, 2D dimension drawings, 3D models, device circuit diagrams, EPLAN macros, ...)**

[http://www.automation.siemens.com/bilddb/cax\\_de.aspx?mlfb=3SE50000AV071AK2&lang=en](http://www.automation.siemens.com/bilddb/cax_de.aspx?mlfb=3SE50000AV071AK2&lang=en)



**last modified:**

16.03.2015