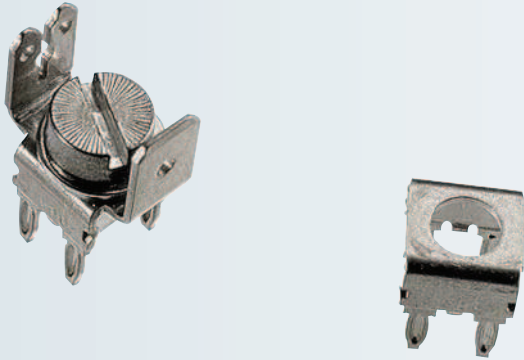


Power Terminals

5.08 x 7.62 mm



Type: Power Terminal

Termination: Press-fit

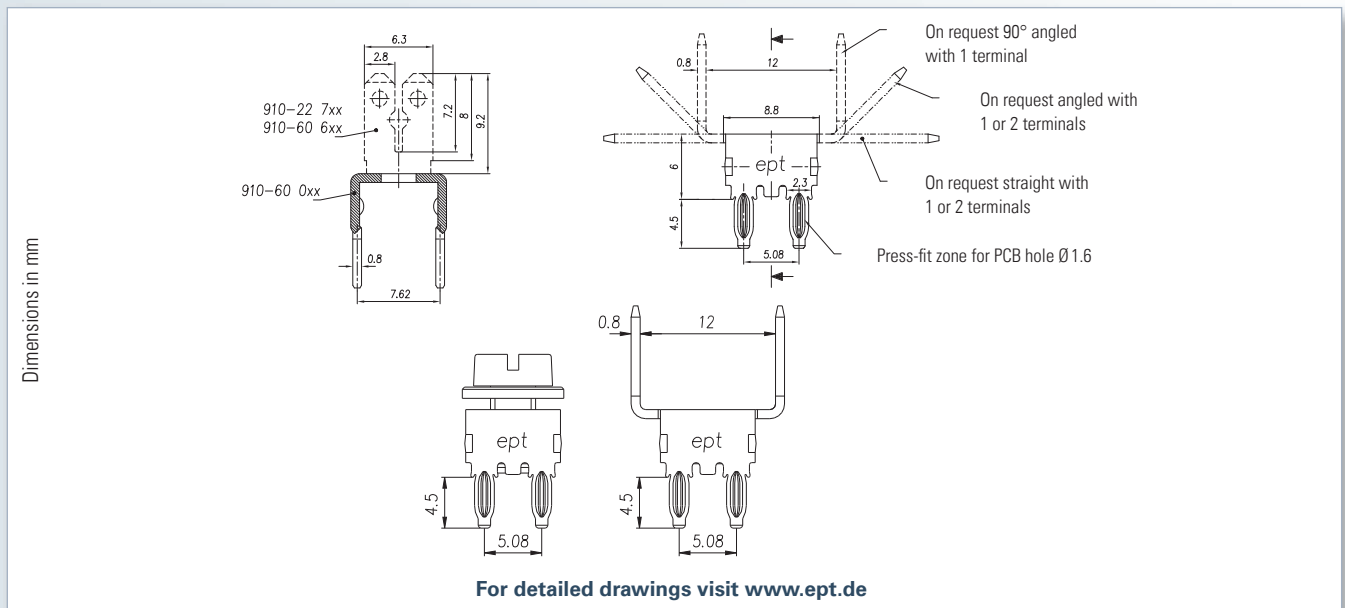
Pitch: 5.08 x 7.62 mm

Operational current: 20° 45 A, 70° 30 A, 100° 25 A

Packaging: Bulk

Standard: RoHS COMPLIANT

Technical Specifications on page 284



Accessories

- Screws DIN 84 p. 292
- Philips screw p. 292
- Washer p. 292
- Processing tools p. 324
- Lock nut p. 292

Application:



Power supply through screwed connection or faston contact



Press-fit - Thread M4

Pins	Contact arrangement	Part number			
		4		910-60045	910-22015

On request

- with 1 or 2 terminals angled
- with 1 or 2 terminals straight
- with 1 terminal 90°



Press-fit - Thread M5

Pins	Contact arrangement	Part number			
		4		910-60050	910-22020

On request

- Philips screw
- with 1 or 2 terminals angled
- with 1 or 2 terminals straight
- with 1 terminal 90°