

## Line laser, red, 635 nm, 90 °, 8 mW

LE635-8-3(12x32)  
Order Number: 70126341

Main Parameters (*)	min	typ	max	Unit
Wavelength		635		nm
Optical Output Power		8		mW
Operating Voltage		3		V DC
Operating Current	45	60	80	mA
Operating Temperature	-20		50	°C
Storage Temperature	-40		80	°C

### Main Data

Warranty	1 years
----------	---------

### Technical Parameters

Lifetime	> 5,000 h
RoHS	yes

### Optical Parameters

Beam Shape	Line
Laser Class	2
Divergence	E - 0.6 mrad
Fan Angle	90 °
Line Thickness	<3mm@6m
Operating Distance	6 m
Optics	glass lens AR coated
Laser technology	Single Mode Diode
Focus	fixed (6.0m)

### Electrical Parameters

Potential of Housing	isolated
Connector	2.5 mm DC socket (GND pole inner)
Power Supply	LFNT-3
Stripping of cable cover	50 mm

### Mechanical Parameters

Size	Ø12x32 mm
Material	aluminium
Cable length	1,000 mm
Wire type	22AWG, black, 3,6mm
Output Aperture	5.5 mm
Housing Color	black
Weight	35 g
Stripping of wire	5 mm

(\*) Over the complete operating temperature range

## Features





- Laser Class 2
- Low power consumption
- Uniform line thickness
- Image processing

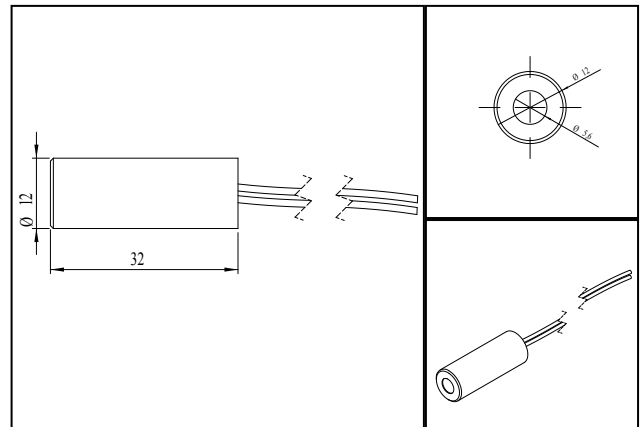
## Picture



## Cable color

Ground		black	GND
positive		red	3 V DC

## Drawing



## Safety Label



## Valid Revision

| 23-JUL-2020