

Single-Strand Roller Chains Neptune™ DIN ISO 606 (formerly DIN 8187), Corrosion Proof

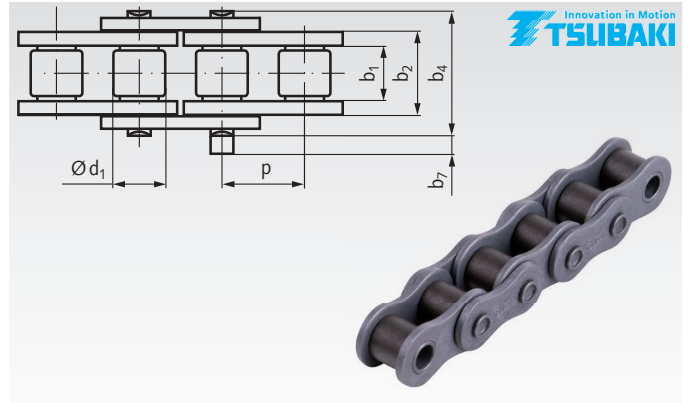
Materials: Special chain steel, with corrosion protection coating.

Premium single-strand roller chains with good corrosion resistance, but still highly loadable. Plates, bushes, pins and rollers with high-resilient coating against moisture and alkaline cleaning agents. Sizes 08 to 16 with centre sink riveting. Performance and dimensions according to DIN. Dynamically prestretched. Wasted link plates (size 06 with straight link plates). Chains are supplied with an uneven number of links, with inner links at both ends.

Temperature range: -10°C to +60°C.

Wider temperature range -10°C to +230°C on request.

Ordering Details: e.g.: Product No. 101 660 00N, Roller Chain Neptune 06 B-1



DIN ISO-No.	Product No.	Pitch x Inner Width		Inner Width b ₂ mm	Roller- Ø d ₁ mm	Pin Ø mm	Width over Pin b ₄ mm	Projection over Link b ₇ ²⁾ mm	Breaking Load min. kN	Weight kg/m	
		mm	inch								
06 B-1 ¹⁾	101 660 00N	9,525	x 5,72	3/8 x 7/32	8,53	6,35	3,28	13,5	3,3	9	0,39
08 B-1	105 660 00N	12,7	x 7,75	1/2 x 5/16	11,30	8,51	4,45	17,0	3,9	19	0,70
10 B-1	106 660 00N	15,875	x 9,65	5/8 x 3/8	13,28	10,16	5,08	19,6	4,1	23	0,95
12 B-1	107 660 00N	19,05	x 11,68	3/4 x 7/16	15,62	12,07	5,72	22,7	4,6	31	1,25
16 B-1	108 660 00N	25,4	x 17,02	1" x 17,02mm	25,45	15,88	8,28	36,1	5,4	70	2,70
20 B-1	109 660 00N	31,75	x 19,56	1 1/4 x 3/4	29,01	19,05	10,19	43,2	6,1	98	3,85
24 B-1	110 660 00N	38,1	x 25,4	1 1/2 x 1	37,92	25,40	14,63	53,4	6,6	167	7,45

¹⁾ With straight link plates.

²⁾ Maximum values at the connecting link.

Please note: Packing Unit 5m with 1 Connecting Link

If special lengths are needed, please tell us the length and the number of links (uneven number!). At all special lengths, connecting links have to be ordered separately.

Connecting Links for Single-Strand Roller Chains Neptune™ DIN ISO 606 (formerly DIN 8187), Corrosion Proof

Materials: Special chain steel, with corrosion protection coating.

Ordering Details: e.g.: Product No. 101 660 03N, Connecting Link No.11/E, Neptune 06 B-1



No. 11/E: Connecting Link with Spring Clip



No. 10/S: Connecting Link with Cottered Pin



No. 12/L: Cranked Link with Cottered Pin



No. 15/C: Cranked Double Link

DIN ISO No.	Product No. Connecting Link No. 11/E	Weight g	Product No. Connecting Link No. 10/S	Weight g	Product No. Cranked No. 12/L ¹⁾	Weight g	Product No. Cranked Double No. 15/C ¹⁾	Weight g
08 B-1	105 660 03N	7	-	-	105 660 04N	10	105 660 05N	18
10 B-1	106 660 03N	13	-	-	106 660 04N	15	106 660 05N	31
12 B-1	107 660 03N	14	-	-	107 660 04N	25	107 660 05N	48
16 B-1	108 660 03N	65	-	-	108 660 04N	81	108 660 05N	140
20 B-1	-	-	109 660 02N	115	109 660 04N	145	109 660 05N	279
24 B-1	-	-	110 660 02N	286	110 660 04N	293	110 660 05N	580

¹⁾ With cranked links power and breaking loads are reduced by 20%.