

Kugelknöpfe DIN 319 Form K

Artikelbeschreibung/Produktabbildungen



Beschreibung

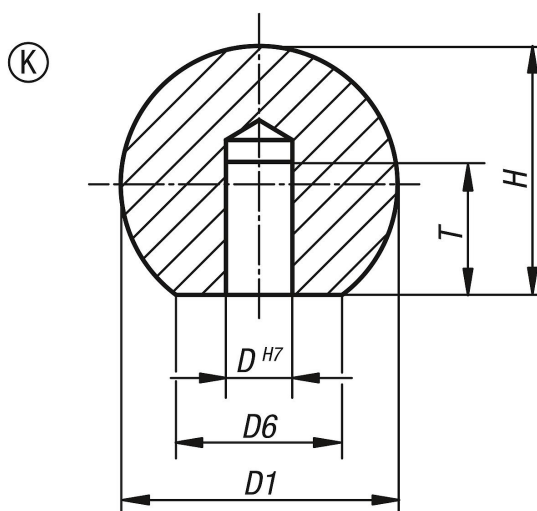
Werkstoff:

Edelstahl 1.4305 oder Aluminium.

Ausführung:

poliert.

Zeichnungen



Artikelübersicht

| Bestellnummer | Form | Material Grundkörper | Stahlschlüssel | D | D1 | D6 | H | T |
|---------------|------|-------------------------|----------------|----|----|----|------|----|
| K0650.316043 | K | Edelstahl | 1.4305 | 6 | 16 | 8 | 15 | 10 |
| K0650.320053 | K | Edelstahl | 1.4305 | 8 | 20 | 12 | 18 | 12 |
| K0650.325063 | K | Edelstahl | 1.4305 | 10 | 25 | 15 | 22,5 | 16 |
| K0650.332083 | K | Edelstahl | 1.4305 | 12 | 32 | 18 | 29 | 20 |
| K0650.340103 | K | Edelstahl | 1.4305 | 16 | 40 | 22 | 37 | 25 |
| K0650.350123 | K | Edelstahl | 1.4305 | 20 | 50 | 28 | 46 | 32 |
| K0650.316042 | K | Aluminium | - | 6 | 16 | 8 | 15 | 10 |
| K0650.320052 | K | Aluminium | - | 8 | 20 | 12 | 18 | 12 |
| K0650.325062 | K | Aluminium | - | 10 | 25 | 15 | 22,5 | 16 |
| K0650.332082 | K | Aluminium | - | 12 | 32 | 18 | 29 | 20 |
| K0650.340102 | K | Aluminium | - | 16 | 40 | 22 | 37 | 25 |
| K0650.350122 | K | Aluminium | - | 20 | 50 | 28 | 46 | 32 |