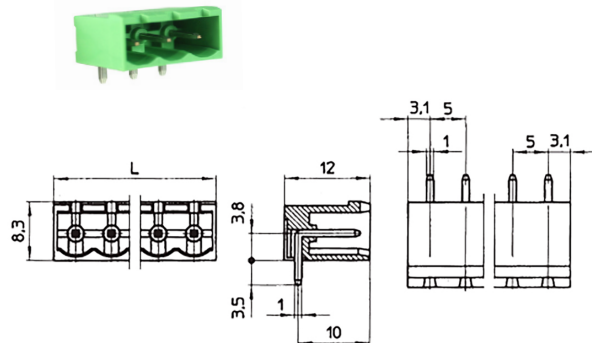


PCB TERMINAL BLOCKS

PCB mounting male horizontal (closed ended)

TYPE NO.	POLES	LENGTH	TYPE NO.	POLES	LENGTH
CTB9350/2A	2	11.2mm	CTB9350/14A	14	71.2mm
CTB9350/3A	3	16.2mm	CTB9350/15A	15	76.2mm
CTB9350/4A	4	21.2mm	CTB9350/16A	16	81.2mm
CTB9350/5A	5	26.2mm	CTB9350/17A	17	86.2mm
CTB9350/6A	6	31.2mm	CTB9350/18A	18	91.2mm
CTB9350/7A	7	36.2mm	CTB9350/19A	19	96.2mm
CTB9350/8A	8	41.2mm	CTB9350/20A	20	101.2mm
CTB9350/9A	9	46.2mm	CTB9350/21A	21	106.2mm
CTB9350/10A	10	51.2mm	CTB9350/22A	22	111.2mm
CTB9350/11A	11	56.2	CTB9350/23A	23	116.2mm
CTB9350/12A	12	61.2mm	CTB9350/24A	24	121.2mm
CTB9350/13A	13	66.2mm			

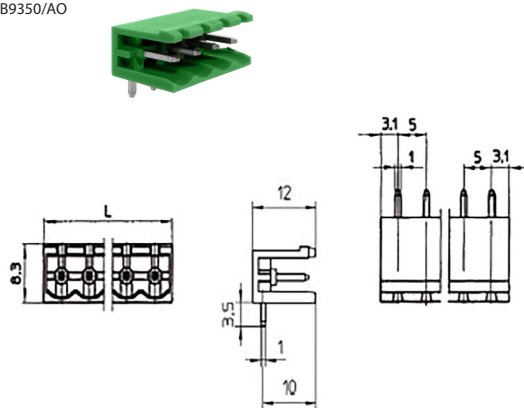
CTB9350



PCB mounting male horizontal (open ended)

TYPE NO.	POLES	LENGTH	TYPE NO.	POLES	LENGTH
CTB9350/2AO	2	10mm	CTB9350/14AO	14	70mm
CTB9350/3AO	3	15mm	CTB9350/15AO	15	75mm
CTB9350/4AO	4	20mm	CTB9350/16AO	16	80mm
CTB9350/5AO	5	25mm	CTB9350/17AO	17	85mm
CTB9350/6AO	6	30mm	CTB9350/18AO	18	90mm
CTB9350/7AO	7	35mm	CTB9350/19AO	19	95mm
CTB9350/8AO	8	40mm	CTB9350/20AO	20	100mm
CTB9350/9AO	9	45mm	CTB9350/21AO	21	105mm
CTB9350/10AO	10	50mm	CTB9350/22AO	22	110mm
CTB9350/11AO	11	55mm	CTB9350/23AO	23	115mm
CTB9350/12AO	12	60mm	CTB9350/24AO	24	120mm
CTB9350/13AO	13	65mm			

CTB9350/AO



PCB
TERMINAL
BLOCKS

INTER-
CONNECTION

FUSES &
FUSE-
HOLDERS

LEDs &
INDICATORS

MINIATURE
SWITCHES

LIMIT &
SAFETY
SWITCHES

CONTROL
PRODUCTS

INTERFACE
MODULES &
SUPPORTS

RELAY
BASES

DIN RAIL
ENCLOSURES

BATTERIES

SOLAR
PANELS

TRANS-
FORMERS