

# 24VDC 3.1A 75W LED DRIVER



## Output Adjustable

### Features:

- 100-305VAC Ultra Wide range Input Voltage
- Fanless Design – High Reliability
- IP67 rated suitable for indoor & outdoor use
- Protections OVP, SCP, OCP, OTP
- 5 Year Warranty



The Tiger Power range of LED drivers feature a comprehensive range of safety approvals for truly global requirements and meet latest energy efficiency legislation. The TGR-75W-24V-ADJ 24vdc 3.1 amp model provides a reliable constant voltage output at up to 5 amps continuous, suitable for a wide range of applications. The output current can be set using the on board pot on the underside of the led driver to between 1.55 amp and 3.1 amp. When used in constant current mode, the output voltage adjusts between 16.8vdc and 24vdc

Part number :	TGR-75W-24V-ADJ
Output:	24vdc Constant Voltage (16.8vdc to 24vdc in CC mode)
Output Current Adjustable Range in CC mode	1.55 amp to 3.1 amp (37.2 watt to 75 watts)
Input voltage:	100-305vac
Input frequency:	47 - 63Hz
No load power consumption:	<0.5W
Current:	3.1A
Power :	75 Watts
Protection:	Short Circuit, Over current, Over voltage protection
Dimensions:	140 x 63 x 32mm
Weight:	580g
AC cord length (where supplied):	300mm
DC cord length:	300mm
DC output:	Red + Black -
Polarity:	No applicable
Efficiency:	91%
Input current RMS Max.:	2.0A
Inrush Current at 230vac:	50A max. at 230vac cold start, max. load
Load regulation:	+ / - 5%
Safety approval:	UL8750, CSA22.2 EN61347-1, EN61347-2-13, EN62384
M.T.B.F:	376,300.00 hours min (MIL-HDBK-217F) at 25 degrees C
Operating temperature:	-40°C to + 90°C (contact sales for derating info)

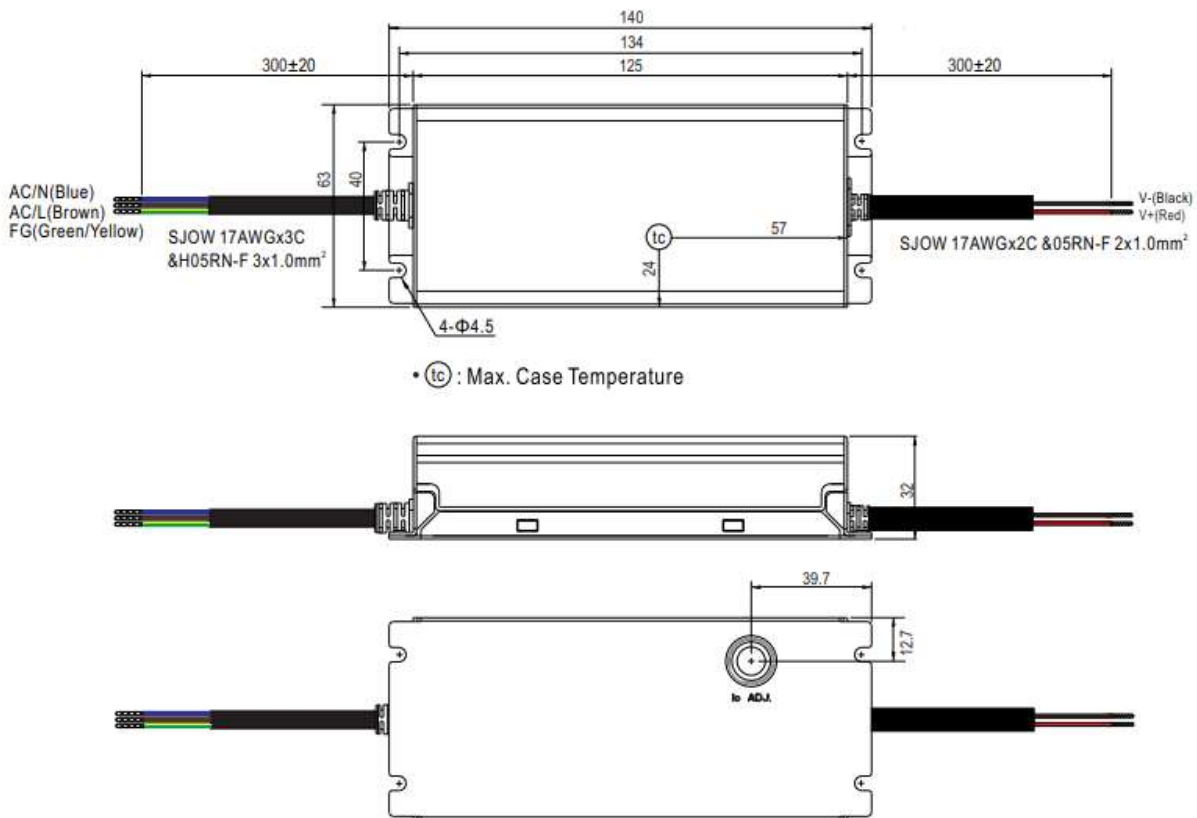
## TIGER POWER PRODUCTS – QUALITY & RELIABILITY

This specification is not for general release or circulation. Tiger Power reserves the right to make changes to spec. or product without notice or liability.

# 24VDC 3.1A LED DRIVER



Output Adjustable



**TIGER POWER PRODUCTS – QUALITY & RELIABILITY**

This specification is not for general release or circulation. Tiger Power reserves the right to make changes to spec. or product without notice or liability.