



THE ASSORTMENT AT A GLANCE

LEDVANCE LED LUMINAIRES

SEPTEMBER 2020



LEDVANCE.COM



LEDVANCE

CONTENTS

LEDVANCE LUMINAIRE PORTFOLIO: WHAT'S NEW?

04

DOWNLIGHTS

14

Downlight UGR19	16
Downlight Comfort	18
Downlight Alu	20
Downlight Slim Alu	24



STANDARD APPLICATIONS: Public Areas | Shops | Stairways | Corridors
Foyers | Bathrooms | Kitchens

PANEL LUMINAIRES

66

Panel IndiviLED	68
Panel IP54	70
Panel Performance Gen 3	72
Panel Value	76
Panel Accessories	78



STANDARD APPLICATIONS: General Indoor Lighting | Public Buildings
Offices | Conference Rooms | Corridors

SPOTLIGHTS

26

Spot Kit	27
Spot Vario	28
Spot Multi	30
Spot Square Adjust	32
Spot Round Adjust	34
Spot Round Fix	36
Spot Fireproof Fix	38
Spot Darklight	40



STANDARD APPLICATIONS: Shops | Sales Rooms | Fashion Stores
Hotels | Cafés | Restaurants | Galleries | Museums

PENDANT AND SURFACE-MOUNTED LUMINAIRES

82

Panel Direct/Indirect	84
Linear IndiviLED Direct/Indirect	86
Linear IndiviLED Direct/Indirect Accessories	88
Linear IndiviLED Direct	90
Linear IndiviLED Direct Accessories	93



STANDARD APPLICATIONS: General Indoor Lighting | Offices | Libraries
Schools | Corridors | Entrance Areas

TRACKLIGHTS

42

Tracklight Spot Compact	44
Tracklight Spot Zoom DIM	46
Tracklight Spot	48
Tracklight Spot Reflector	51



STANDARD APPLICATIONS: Shops | Fashion Stores | Boutiques
Department Stores | Hotels | Cafés | Galleries | Museums | Showrooms

LINEAR LUMINAIRES

94

Linear Surface IP44	96
Linear Surface IP44 Accessories	98
Linear Ultra Output	100
Linear Ultra Output Accessories	103
Linear Compact	104



STANDARD APPLICATIONS: Public Buildings | Corridors | Entrance
Areas | Stairwells | Cove Lighting | Shelving

WALL AND CEILING LUMINAIRES

52

Surface Compact IK10	54
Surface Circular	56
Surface Circular Cover	58
Surface Bulkhead	60
Surface Bulkhead Accessories	64



STANDARD APPLICATIONS: Public Areas | Walkways | Stairways
Bathrooms | Foyers

TRUNKING SYSTEMS

108

TruSys Performance	110
TruSys Performance Energy	
Rail & Accessories	114
TruSys	120
TruSys Energy	
Rail & Accessories	123



STANDARD APPLICATIONS: Factories | Warehouses | Discounters
Workshops

Please use the back-button
on the following pages to get
back to the content page



FURTHER INFORMATION ON LEDVANCE AND ABBREVIATIONS

194

DAMP-PROOF LUMINAIRES

128

Damp Proof Compact IP66	130
Damp Proof	132
Damp Proof Special Gen 2	136
Damp Proof Housing	138
Damp Proof Slim Value	140
Damp Proof Value	142



STANDARD APPLICATIONS: Factories and Warehouses | Parking Lots
Underpasses | Garages | Workshops | Production Lines | Agriculture

OUTDOOR DECORATIVE LUMINAIRES

180

Outdoor	182
---------	-----



STANDARD APPLICATIONS: Residential Buildings | Hotels | Office Parks

HIGH-BAY LUMINAIRES

144

High Bay DALI	146
High Bay DALI CLO	148
High Bay DALI Accessories	150
High Bay Gen 3	152
High Bay Accessories	154
High Bay Value	156
High Bay Value Accessories	159



STANDARD APPLICATIONS: Warehouses | Logistics Centers | Industry
High Ceilings (e.g. Airports)

EMERGENCY LIGHTING

184

Single-Battery	
Emergency Luminaires	185
Emergency Conversion Box	187



STANDARD APPLICATIONS: Escape Routes (Corridors) | Open Areas
(Anti-Panic) | Public Buildings | Shops | Offices

FLOODLIGHTS

160

Floodlight Performance	162
Floodlight 10 W – 50 W	166
Floodlight 65 W – 200 W	168
Floodlight Sensor	170
Floodlight Photocell Sensor	172
Floodlight Value	174



STANDARD APPLICATIONS: Building Facades | Public Areas
Construction Sites | Parking Lots | Underpasses

LED DRIVERS FOR CONSTANT CURRENT

188

LED Driver DALI Performance	190
LED Driver Phase-Cut Performance	191
LED Driver Dip-Switch Performance	192
LED Driver Value	193



WORK LIGHT

176

Worklight Value	178
-----------------	-----



STANDARD APPLICATIONS: For mobile use

Look for the following to help navigate
this brochure and learn more:

Return to Contents Page



Click for further information



All the following values for the IP and IK protection classes
apply exclusively to luminaires (excluding accessories).

BETTER LIGHT – QUICK AND EASY TO INSTALL

THE NEW LED LUMINAIRES FROM

FOCUSING ON YOUR NEEDS

LEDVANCE is a strong partner to have by your side when you need to inspire your customers with perfect lighting solutions. We listen carefully to installers and lighting professionals – and are constantly working to improve our products and services. We aim not just to meet your expectations but exceed them – in the choice of products, the quality of the light and simple, user-friendly installation.

And we'll prove it with our extended luminaire portfolio for a wide range of applications in the office, industry, parking and shop sectors. Discover our latest highlights and new generations: The new Downlight UGR19, for example, produces brilliant, low-glare, flicker-free light in office buildings and shops. The fully sealed and ammonia-tested Damp Proof Special is designed to be used in oily, damp and dusty environments and is therefore ideal for agricultural businesses. The Panel Performance luminaires are popular choices for offices thanks to their outstanding quality of lighting and ease of installation.

And thanks to their optimized light output the Floodlights and the High Bay Performance luminaires are impressive performers for outdoor areas and for factories and warehouses respectively.



SCALE – AWARD-WINNING LUMINAIRE DESIGN

Design makes products unique – like our individual, aesthetic and functional SCALE design language. It combines unique luminaire design with tangible value in every product and takes the modern tonality of the LEDVANCE brand into new territory. A fascinating combination of form and function, which is loved not only by our customers – as the 2019 German Design Award proves.

EASY TO INSTALL M LEDVANCE

TOGETHER FOR BETTER LIGHT

LEDVANCE supports you with a comprehensive lighting portfolio from a single source, an excellent price-performance ratio and guarantees¹ of up to 5 years.

But that's not nearly all. Our services are perfectly tailored to the needs of professional users. For example, our global supplier and sales network means we are always at your side wherever you may be. And you can count on us throughout all your lighting projects – from initial consultation to technical after-sales support.

¹ For precise terms and conditions go to www.ledvance.com/guarantee



YOUR BENEFITS AT A GLANCE



Global network



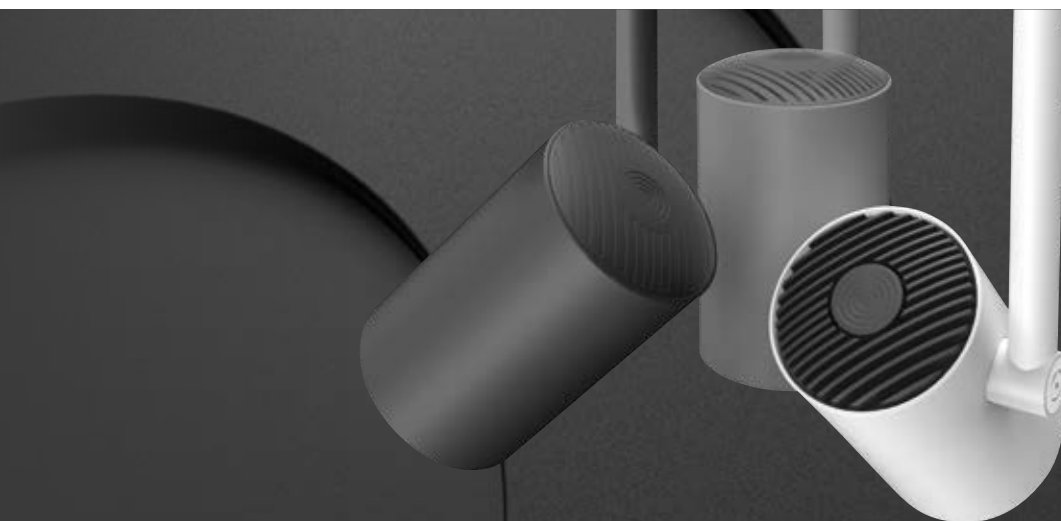
Extensive portfolio
from a single source



Outstanding services

FULL SERVICE FOR YOUR PROJECT SUCCESS

In addition to first-class products and competent customer service (contact@ledvance.com), we support you in numerous other ways throughout your lighting projects. Go to www.ledvance.com and discover valuable service concepts such as the Fast Light Calculation Tool, our eLearning modules or the DIALux/RELUX light planning software.





LEDVANCE BIOLUX: FOCUSING ON PEOPLE WITH HUMAN CENTRIC LIGHTING

Offices with little daylight, dark meeting rooms and artificial light until late at night – this is typical of modern working conditions. But light is essential and one of the most important sources – for our well-being, performance and satisfaction. A lack of daylight can cause serious disruption to our day/night rhythm (our “inner clock”), and massive degradation in our performance and overall well-being. Human centric lighting (HCL) is all about this biological effect of light. Lighting solutions for modern work environments must be designed to promote creative thinking and high levels of concentration at desks, in service sectors and in factories. Human centric lighting places the focus on people and their need for natural

light. Flexible, stimulating and effective. It creates a working environment that simulates the changes in natural daylight with its visual, biological and emotional effects. Through color temperatures and illuminance levels, human centric lighting provides positive support for the human circadian rhythm. A neutral or cold white light color, for example, can energize in the morning. Warm white light is relaxing and ideal for the evening.

With the HCL system BIOLUX from LEDVANCE we are opening up completely new opportunities for you and your customers.

REFERENCE PROJECT



PROJECT: Upgrading to a BIOLUX HCL system in the training rooms of the Schleswig District Craftsmen’s Association, Germany

APPLICATION: Educational establishment, lighting of training rooms

TECHNOLOGY: LED technology, human centric lighting

LEDVANCE PRODUCTS: BIOLUX HCL Panel 625 43 W, BIOLUX HCL Control Unit

The new BIOLUX HCL system was installed at the Schleswig District Craftsmen’s Association in 3 classrooms by directly replacing the existing T8 fluorescent lamp lighting system. The retrofit installation of 90 LED panels and commissioning of the system was so easy that it was carried out by trainees of the electrical engineering department themselves. Being intelligently controlled the system now provides better quality of light in the training rooms and can be intuitively adapted to the training situation. As a result, the individually adjustable light profiles support training in a concentration-enhancing manner and help to keep the trainees motivated.

LEDVANCE BIOLUX HCL-SYSTEM

BIOLUX is the innovative HCL system from LEDVANCE. With the help of an intelligent algorithm, it automatically adjusts the artificial light to simulate the changes in natural daylight – accurate for the time of day and the location – to produce the best possible biological effect. Changes in color temperatures and lighting levels support our natural bio-rhythms.

THE SMART ENTRY-LEVEL HCL-SYSTEM

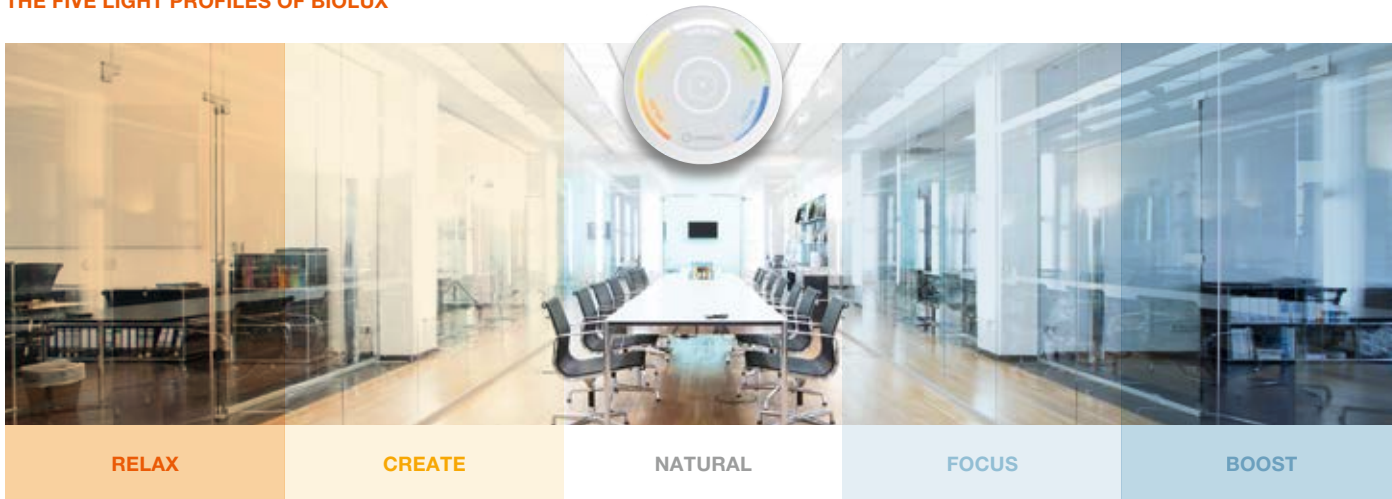
BIOLUX consists of two components: the BIOLUX control unit and the BIOLUX LED luminaires which communicate with each other wirelessly via the ZigBee protocol. Operation is intuitive. Pre-programmed light profiles can be set at the control unit in no time at all, with five manually adjustable modes being available, suitable for any work situation (see diagram). And BIOLUX is so easy to install as there is no need for wiring or configuration.

WINNER OF DESIGN, FUNCTION & INNOVATION AWARDS:



reddot winner 2020

THE FIVE LIGHT PROFILES OF BIOLUX



E.g. during breaks in meetings

Creativity in workshops, e.g. in brainstorming sessions

Default setting

Enhanced concentration, e.g. in meetings

Highest concentration for highly detailed and particularly demanding tasks

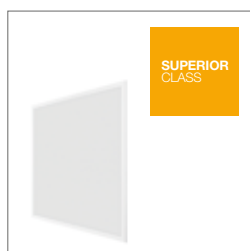
THE BIOLUX COMPONENTS



BIOLUX CONTROL UNIT



BIOLUX HCL DOWNLIGHT



BIOLUX HCL PANEL

BIOLUX is ideal for single room solutions with up to 20 luminaires¹ – such as meeting rooms or offices with little or no daylight.

You will find more information at hcl.ledvance.com or in our flyer on human centric lighting.

¹ Higher number of luminaires on request



OFFICE LIGHT AS A FACTOR FOR SUCCESS



**DOWNLIGHT
COMFORT**
Page 18ff.



**DOWNLIGHT
UGR19**
Page 16ff.



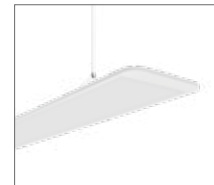
**PANEL
PERFORMANCE**
Page 72ff.



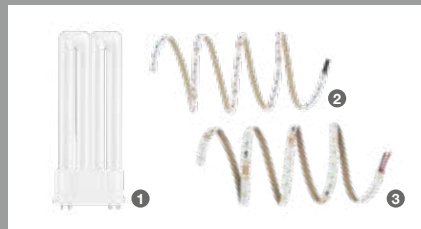
**LINEAR
INDIVILED**
Page 90ff.



**PANEL
INDIVILED**
Page 68ff.



**PANEL DIRECT/
INDIRECT**
Page 84ff.



THE RIGHT LAMPS AND LED STRIPS:

From the ultra-low-profile OSRAM DULUX F **1** full glass LED lamp featuring excellent luminous efficacy all the way to the flexible LED STRIP PERFORMANCE RGBW **2** and WHITE **3**, LEDVANCE offers you tailored lighting solutions for large and small offices.

REFERENCE PROJECT



PROJECT: SIEMENS Campus, Erlangen, Germany

APPLICATION: Lighting of meeting rooms and open-plan offices

TECHNOLOGY: LED technology

LEDVANCE PRODUCTS: Linear IndiviLED Direct/Indirect DALI Sensor, Panel Direct/Indirect DALI

When it came to selecting luminaires for the SIEMENS Campus in Erlangen, the existing suspended ceilings were a particular challenge. The LEDVANCE Linear IndiviLED Direct/Indirect DALI Sensor and Panel Direct/Indirect DALI luminaires were chosen as they offer excellent light comfort with direct/indirect beam characteristic, good glare reduction ($UGR \leq 19$), low maintenance and low operating costs. What's more, brightness is kept at a consistent 500 lux in compliance with relevant standards. The luminaires blend into the building design perfectly and, thanks to integrated presence detection, offer optimum efficiency.

INDUSTRY LIGHT MAKES HARD WORK EASIER



**DAMP PROOF
COMPACT IP66**
Page 130ff.



**TRUSYS
PERFORMANCE**
Page 110ff.



HIGH BAY
Page 152ff.



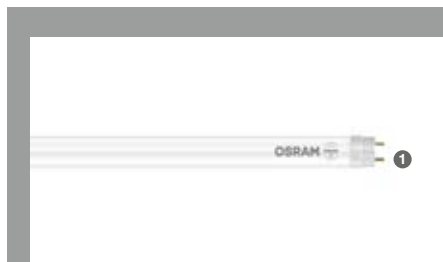
**HIGH BAY DALI
CLO**
Page 148ff.



**DAMP PROOF
SPECIAL**
Page 136ff.



**LINEAR ULTRA
OUTPUT**
Page 100ff.



THE RIGHT LED TUBES:

SUBSTITUBE PRO EM LED ¹ tubes are shatterproof, highly efficient and durable. They replace conventional fluorescent tubes and are suitable for use even in adverse conditions such as in cold stores and warehouses.

REFERENCE PROJECT



PROJECT: EHH Car Center, Ludwigsfelde, Germany

APPLICATION: Lighting of workshops, repair bays, offices and consulting areas

TECHNOLOGY: LED technology

LEDVANCE PRODUCTS: Spot Adjust, Panel 625, Panel 1200, Downlight, Damp Proof, Surface Compact Sensor, Floodlight, SubstiTUBE Advanced T8 EM UO, HQL LED Pro

The EHH car center in Ludwigsfelde near Berlin, Germany completely upgraded its lighting to LED technology from LEDVANCE. Among other replacements, more than 600 conventional fluorescent lamps were replaced by SubstiTUBE Advanced T8 LED tubes. A wide range of LED luminaires were also installed to match the spatial requirements. The result: Significantly improved quality of light and annual energy consumption from lighting was reduced by around 63 %.

PARKING LIGHT MEANS SAFETY & SECURITY



DAMP PROOF HOUSING
Page 138ff.



FLOODLIGHT PERFORMANCE
Page 162ff.



DAMP PROOF
Page 132ff.



FLOODLIGHT SENSOR
Page 170ff.



SURFACE BULKHEAD
Page 60ff.



PANEL DIRECT/INDIRECT
Page 84ff.



THE RIGHT LED TUBES, HQL LED LAMPS AND LED STRIPS:

For indoor parking, LEDVANCE offers the SUBSTITUBE CONNECTED ADVANCED ULTRA OUTPUT **1** together with the CONNECTED SENSOR **2**. Efficient, high-output HQL LED PRO lamps **3** are ideal for outdoor use. And for both applications, LED STRIP PERFORMANCE PROTECTED **4** provides great design freedom.

REFERENCE PROJECT



PROJECT: Tirol Kliniken, Innsbruck, Austria

APPLICATION: Lighting of underground garages

TECHNOLOGY: LED technology

LEDVANCE PRODUCTS: LED Damp Proof

In the underground garages of the Medical Center and Surgery West the former luminaires equipped with fluorescent tubes were replaced by new 30 watt LED Damp Proof luminaires. Due to their robust design with an IP65 protection rating and IK08 impact resistance these are not only ideal for use in damp and dusty environments, but their beam angle of 105 degrees also ensures homogenous uniform light giving a greater feeling of safety for employees and visitors.

SHOP

AESTHETIC ILLUMINATION MEETS FUNCTIONALITY



TRACKLIGHT SPOT
Page 48ff.



SPOT VARIO
Page 28ff.



SPOT MULTI
Page 30ff.



TRUSYS
Page 120ff.



TRACKLIGHT SPOT ZOOM DIM
Page 46ff.



TRACKLIGHT SPOT COMPACT
Page 44ff.



THE RIGHT LED REFLECTOR AND TUBE LAMPS AS WELL AS LED STRIPS:

LEDVANCE lighting solutions – including fully dimmable PARATHOM PRO LED reflector lamps **1**, flexible LED STRIP SUPERIOR TUNABLE WHITE **2** lights and SUBSTITUBE FOOD LED **3** tubes for food retailers – present all your merchandise in the best light.

REFERENCE PROJECT



PROJECT: Noleggio by Maestri ski equipment rental and sales shop, Passo del Tonale, Italy

APPLICATION: Lighting of showroom, rental and access area, lockers and dressing rooms

TECHNOLOGY: LED technology

LEDVANCE PRODUCTS: Tracklight Spot 35 W/4000 K, Downlight Comfort 20 W

Using 104 Tracklight Spot LEDs and different reflectors on ceiling tracks, LEDVANCE has provided accent lighting that attracts customers and guides them through the shop, and also highlights the merchandise with excellent color rendering. Downlight Comfort luminaires are used for basic functional lighting. Since their light color can be easily switched between 3,000, 4,000 and 5,700 Kelvin, every area of the shop can now be illuminated with optimum light.

LUMINAIRE VARIETY COMES SEGMENTATION OF PRODUCTS

Your work involves everything from simple lighting tasks to the most complex and demanding – and it is precisely this bandwidth that is covered by LEDVANCE’s luminaire portfolio. To ensure that you always keep track of all this variety and quickly find the most suitable product, we have divided our luminaires into three segments: Superior Class, Performance Class and Value Class. With the help of consistent color coding and clear labeling you can immediately see in the catalog and also on the packaging which of the three segments a luminaire belongs to. So you can easily meet the needs of your customers – today and tomorrow.



Clear color coding on the new sustainable packaging will help you keep track of the products and quickly identify the right product for the job.

Sample packaging

SEGMENTATION CLASSES:



IN THREES:



SUPERIOR CLASS

Sometimes only the best will do. The LEDVANCE Superior Class range comprises premium products that set standards in technology, quality and design. These top-of-the-line products are impressive in every respect and are the right choice for realizing particularly demanding, prestigious projects with special lighting requirements.



PERFORMANCE CLASS

In the LEDVANCE Performance Class you will find a reliable solution for the majority of your lighting tasks. Our core portfolio includes a wide range of high-quality, demand-oriented luminaires with excellent performance in terms of lifetime, efficiency, material and quality of light. Features such as easy installation, DALI versions and comprehensive guarantees add value.



VALUE CLASS

High performance at an attractive price – that's what the LEDVANCE Value Class is about. The luminaires in this range are characterized by a standard lifetime, efficiency and quality of light, making them the right choice for everyday installation needs and projects where, in addition to reliability, the focus is on cost-effectiveness in particular. Additional features such as DALI extend the range of applications in this class.

LEDVANCE LED LUMINAIRES | SPOTLIGHTS

SPOTLIGHTS

IMPRESSIVE ALL ROUND: OUR SPOTLIGHTS

SPOT VARIO
Page 28

VERSATILE SWIVEL SPOTLIGHT FOR THE RETAIL AREA

- Ideal for accent lighting thanks to highly flexible tilt and swivel capability
- Easy replacement of the external driver thanks to plug with bayonet connection
- Low-flicker light <10%

SPOT MULTI
Page 29

POWERFUL MULTI-SPOTLIGHT WITH GIMBAL

- Low-flicker light <10%
- Flexible application thanks to excellent anti-glare properties USRC-16
- Light-proof housing

SPOT SQUARE ADJUST
Page 30

Attractive square spotlight

- Cut-off angle for good glare reduction and high visual comfort
- Energy savings of up to 90% compared with halogen lamp spotlights
- Housing made of die-cast aluminum for improved heat dissipation

SPOT ROUND ADJUST
Page 32

ADJUSTABLE REPLACEMENT FOR HALOGEN SPOTLIGHT

- Extended range of applications through versions with DALI or switchable driver
- Energy savings of up to 90% compared with halogen lamp spotlights
- Simple installation for 3-20 mm ceiling thickness

SPOT ROUND FIX
Page 34

VERSATILE FAMILY

- SPOT DIM
- SPOT FIREPROOF FIX
- SPOT FIREPROOF DIM
- SPOT FIREPROOF
- SPOT DIMMABLE LIGHT

SPOT KIT
Page 25

Product name	Segmentation
SPOT MULTI 1 x 30W 3000K FL WT/BK	■
SPOT MULTI 1 x 30W 4000K FL WT/BK	■
SPOT MULTI 2 x 30W 3000K FL WT/BK	■
SPOT MULTI 2 x 30W 4000K FL WT/BK	■
SPOT MULTI 3 x 30W 3000K FL WT/BK	■
SPOT MULTI 3 x 30W 4000K FL WT/BK	■

KEEPING TRACK – FINDING YOUR WAY AROUND THE BROCHURE AND RANGE

The clear segmentation of the LEDVANCE luminaire portfolio is also reflected in the introductory pages of each chapter and the product pages of this brochure. Each product class has been assigned a color that you can find throughout the catalog. This makes finding suitable luminaires easier and faster than ever.

GO ON, GIVE IT A TRY!

DOWNLIGHTS

OUR CHAMPIONS FOR HOMOGENEOUS GENERAL LIGHTING

DOWNLIGHT UGR19



Page 16

PERFORMANCE CLASS



DOWNLIGHT UGR19

- Good glare reduction (UGR < 19) and cut-off angle up to 30° for comfortable indoor lighting
- Easy and quick installation thanks to connector box with 5-pole toolless terminal
- Low-flicker light < 10 %

DOWNLIGHT COMFORT



Page 18

PERFORMANCE CLASS



3-IN-1 CCT, LOW UGR VALUE

- Three light colors in one luminaire: warm white 3,000 K, neutral white 4,000 K and cold white 5,700 K
- Good glare reduction (UGR ≤ 22)
- Simple connection thanks to plug-in terminal



3000K

4000K

5700K

ONE LUMINAIRE, THREE OPTIONS

On the **Downlight Comfort** you can switch between three light colors (3,000/4,000/ 5,700 K)

An additional advantage ...
... is that wholesalers and installers can minimize their stock risks because they always have a luminaire with the right light color in stock.

DOWNLIGHT ALU



Page 20

VALUE CLASS

DOWNLIGHT ALU
DOWNLIGHT ALU DALI
DOWNLIGHT ALU EMERGENCY



NEW GENERATION, NOW IP44

- Suitable for use in dusty and humid environments thanks to higher IP rating
- Wide range of applications thanks to a large variety of versions
- Up to 60 % energy savings compared with luminaires that use compact fluorescent lamps

DOWNLIGHT SLIM ALU



Page 24

VALUE CLASS



LOW IN HEIGHT AND PRICE

- Extremely small mounting depth due to very low-profile housing
- Up to 60 % energy savings compared with luminaires that use compact fluorescent lamps
- External driver for easy replacement (included)



DOWNLIGHT UGR19

Downlights with low glare and low flicker



PRODUCT FEATURES

- Housing Material: aluminium with mirror-finished reflector
- Type of protection: IP54 (room side) / IP20 (back side)
- Through wiring possible
- Luminaire available with on/off driver and DALI 2.0 IoT driver
- Connector box with push wire terminal for tool-free connection

PRODUCT BENEFITS

- Good glare reduction (UGR <19) and cut-off angle up to 30° for comfortable indoor lighting
- Easy and quick installation thanks to connector box with 5-pole toolless terminal
- Low-flicker light
- Suitable for use in dusty and humid environments thanks to high IP rating
- 5 years guarantee

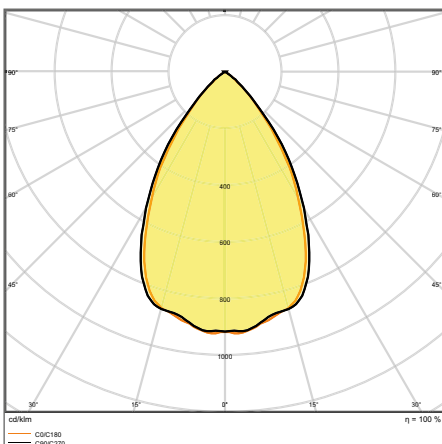
AREAS OF APPLICATION

- Suitable for office applications, especially for computer screen workplaces
- Direct replacement for luminaires with compact fluorescent lamps
- Entrances / Hallways
- Bathrooms, kitchens and sheltered outdoor areas
- General illumination

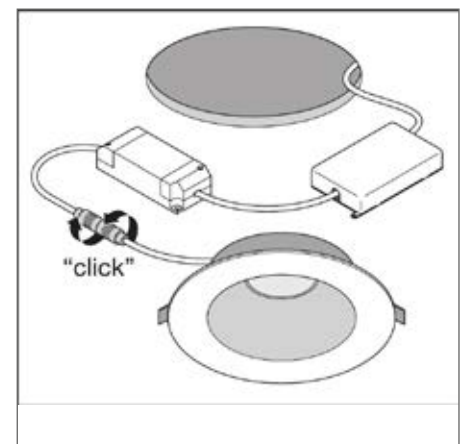
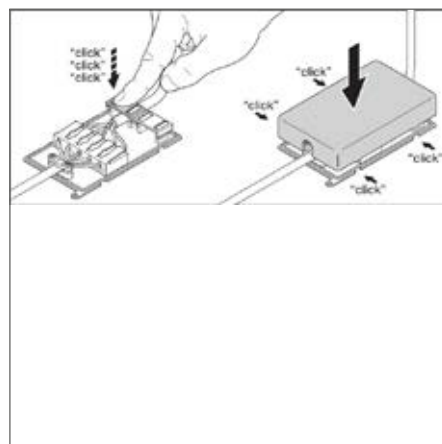
EQUIPMENT / ACCESSORIES

- External control gear included

FURTHER PRODUCT DETAILS





DL UGR19 PFM DN195 21 W 840 WT IP54



¹ Refer to www.ledvance.com/guarantee for precise conditions

The pictures shown in the catalog are for illustration purposes only. For information on size and color, please refer to the product table.

Product name	Segmentation	GTIN (EAN)	W	lm	lm/W	K	L70 ¹	L80 ¹		
NEW DL UGR19 PFM DN155 14 W 830 WT IP54	■	4058075459137	14	1500	105	3000	70000	60000	65	-
NEW DL UGR19 PFM DN155 14 W 840 WT IP54	■	4058075459151	14	1600	115	4000	70000	60000	65	-
NEW DL UGR19 PFM DN195 21 W 830 WT IP54	■	4058075459250	21	2400	115	3000	70000	60000	65	-
NEW DL UGR19 PFM DN195 21 W 840 WT IP54	■	4058075459274	21	2520	120	4000	70000	60000	65	-
NEW DL UGR19 PFM DN155 14 W 830 WT IP54 DALI	■	4058075459298	14	1500	105	3000	70000	60000	65	DALI
NEW DL UGR19 PFM DN155 14 W 840 WT IP54 DALI	■	4058075459311	14	1600	115	4000	70000	60000	65	DALI
NEW DL UGR19 PFM DN195 21 W 830 WT IP54 DALI	■	4058075459830	21	2400	115	3000	70000	60000	65	DALI
NEW DL UGR19 PFM DN195 21 W 840 WT IP54 DALI	■	4058075459854	21	2520	120	4000	70000	60000	65	DALI



Product name	CRI	UGR	FLICKER VALUE		L x W x H [mm] Ø x H [mm]
NEW DL UGR19 PFM DN155 14 W 830 WT IP54	≥80	<19	<10 %	155	180x65
NEW DL UGR19 PFM DN155 14 W 840 WT IP54	≥80	<19	<10 %	155	180x65
NEW DL UGR19 PFM DN195 21 W 830 WT IP54	≥80	<19	<10 %	195	220x82
NEW DL UGR19 PFM DN195 21 W 840 WT IP54	≥80	<19	<10 %	195	220x82
NEW DL UGR19 PFM DN155 14 W 830 WT IP54 DALI	≥80	<19	<10 %	155	180x65
NEW DL UGR19 PFM DN155 14 W 840 WT IP54 DALI	≥80	<19	<10 %	155	180x65
NEW DL UGR19 PFM DN195 21 W 830 WT IP54 DALI	≥80	<19	<10 %	195	220x82
NEW DL UGR19 PFM DN195 21 W 840 WT IP54 DALI	≥80	<19	<10 %	195	220x82

¹ t [h]: L70/B50 @ 25 °C (Ta) / t [h]: L80/B10 @ 25 °C (Ta)

DOWNLIGHT COMFORT

Downlights with adjustable white light colors



PRODUCT FEATURES

- Material: Aluminium (Housing), Polycarbonate (Diffusor)
- Three light colors selectable via slide switch
- Type of protection: IP54 (room side)
- Through wiring possible

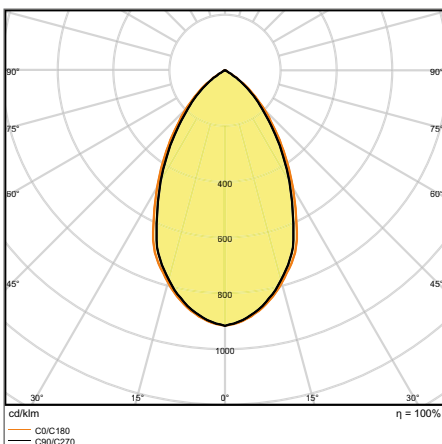
PRODUCT BENEFITS

- Three light colors in one luminaire: warm white 3000 K, daylight white 4000 K, cold white 5700 K
- Good glare reduction (UGR ≤ 22)
- Easy connection thanks to push terminal
- Suitable for use in dusty and humid environments thanks to high IP rating
- 5 years guarantee

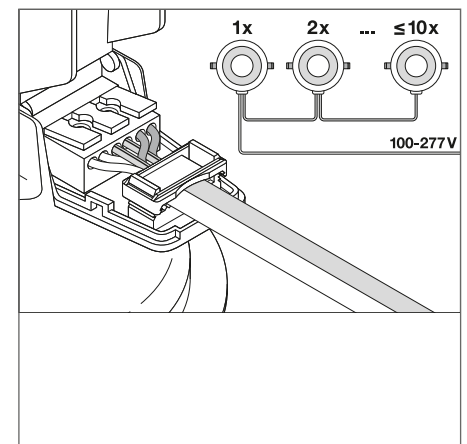
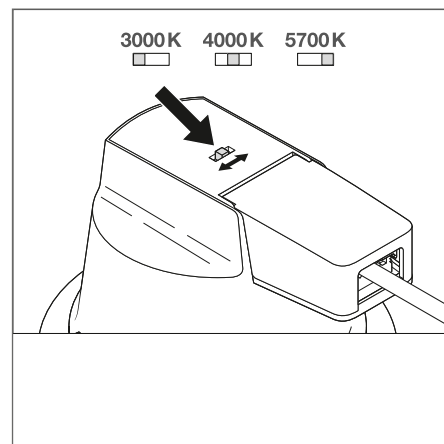
AREAS OF APPLICATION

- Direct replacement for luminaires with compact fluorescent lamps
- General illumination
- Bathrooms, kitchens and sheltered outdoor areas
- Offices
- Corridors

FURTHER PRODUCT DETAILS



DL COMFORT DN 130 13 W 3CCT IP54 WT



¹ Refer to www.ledvance.com/guarantee for precise conditions

The pictures shown in the catalog are for illustration purposes only. For information on size and color, please refer to the product table.

Product name	Segmentation	GTIN (EAN)	RE- PLACE- MENT FOR	W	lm	lm/W	K	L70 ¹	L80 ¹	△
DL COMFORT DN 130 13 W 3CCT IP54 WT	■	4058075104068	1x18W CFLi	13	1030...1210	85	3000...5700	50000	43000	60
DL COMFORT DN 155 18 W 3CCT IP54 WT	■	4058075104082	2x18W CFLi	18	1040...1620	85	3000...5700	50000	43000	60
DL COMFORT DN 205 20 W 3CCT IP54 WT	■	4058075104105	2x26W CFLi	20	1720...1930	90	3000...5700	50000	43000	60



Product name	CRI	△	L × W × H [mm] ∅ × H [mm]
DL COMFORT DN 130 13 W 3CCT IP54 WT	>80	130	145x82
DL COMFORT DN 155 18 W 3CCT IP54 WT	>80	155	172x95
DL COMFORT DN 205 20 W 3CCT IP54 WT	>80	205	228x98

¹ t [h]: L70/B50 @ 25 °C (Ta) / t [h]: L80/B10 @ 25 °C (Ta)

DOWNLIGHT ALU

Downlight luminaires with aluminum housing



PRODUCT FEATURES

- Housing material: aluminum
- Diffuser made of opal polycarbonate
- Type of protection, front side: IP44
- Luminaire available as switchable, DALI and emergency versions

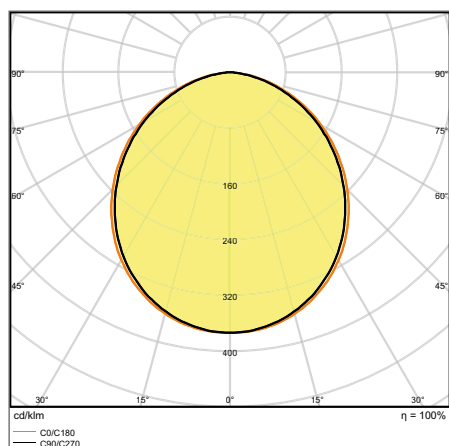
PRODUCT BENEFITS

- Suitable for use in dusty and humid environments thanks to high IP rating
- Wide range of applications thanks to a large variety of versions
- Energy savings of up to 60 % compared to luminaires that use CFL
- Up to 5 years guarantee

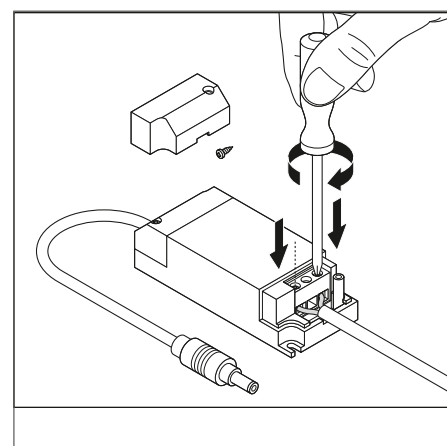
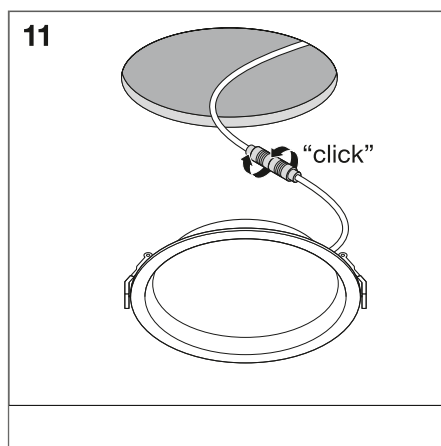
AREAS OF APPLICATION

- Direct replacement for luminaires with compact fluorescent lamps
- General illumination
- Public areas
- Stairways
- Corridors

FURTHER PRODUCT DETAILS



DL ALU DALI DN 200 35 W 6500 K
IP44/IP20 WT



¹ The ENEC and TÜV certifications apply exclusively to the switchable versions of the luminaire family, DALI versions and versions for emergency lighting are excepted. |
² A 5-year guarantee applies to standard and DALI types; a 3-year guarantee for emergency versions.

The pictures shown in the catalog are for illustration purposes only. For information on size and color, please refer to the product table.

DOWNLIGHT ALU

Downlight luminaires with aluminum housing

Product name	Segmentation	GTIN (EAN)	REC-PLACEMENT FOR	W	lm	lm/W	K	L70	L80		
DL ALU DN 150 14 W 3000 K IP44/IP20 WT	■	4058075091436	1x26W CFLi	14	1190	85	3000	50000	45000	100	-
DL ALU DN 150 14 W 4000 K IP44/IP20 WT	■	4058075091450	1x26W CFLi	14	1260	90	4000	50000	45000	100	-
DL ALU DN 150 14 W 6500 K IP44/IP20 WT	■	4058075091474	1x26W CFLi	14	1330	95	6500	50000	45000	100	-
DL ALU DN 200 25 W 3000 K IP44/IP20 WT	■	4058075091498	2x26W CFLi	25	2250	90	3000	50000	45000	100	-
DL ALU DN 200 25 W 4000 K IP44/IP20 WT	■	4058075091511	2x26W CFLi	25	2370	95	4000	50000	45000	100	-
DL ALU DN 200 25 W 6500 K IP44/IP20 WT	■	4058075091535	2x26W CFLi	25	2370	95	6500	50000	45000	100	-
DL ALU DN 200 35 W 3000 K IP44/IP20 WT	■	4058075091559	2x42W CFLi	35	2975	85	3000	50000	45000	100	-
DL ALU DN 200 35 W 4000 K IP44/IP20 WT	■	4058075091573	2x42W CFLi	35	3150	90	4000	50000	45000	100	-
DL ALU DN 200 35 W 6500 K IP44/IP20 WT	■	4058075091597	2x42W CFLi	35	3150	90	6500	50000	45000	100	-
DL ALU DALI DN 150 14 W 3000 K IP44/IP20 WT	■	4058075202610	1x26W CFLi	14	1190	85	3000	50000	45000	100	DALI
DL ALU DALI DN 150 14 W 4000 K IP44/IP20 WT	■	4058075202634	1x26W CFLi	14	1260	90	4000	50000	45000	100	DALI
DL ALU DALI DN 150 14 W 6500 K IP44/IP20 WT	■	4058075202658	1x26W CFLi	14	1330	95	6500	50000	45000	100	DALI
DL ALU DALI DN 200 25 W 3000 K IP44/IP20 WT	■	4058075091610	2x26W CFLi	25	2250	90	3000	50000	45000	100	DALI
DL ALU DALI DN 200 25 W 4000 K IP44/IP20 WT	■	4058075091634	2x26W CFLi	25	2370	95	4000	50000	45000	100	DALI
DL ALU DALI DN 200 25 W 6500 K IP44/IP20 WT	■	4058075091658	2x26W CFLi	25	2370	95	6500	50000	45000	100	DALI
DL ALU DALI DN 200 35 W 3000 K IP44/IP20 WT	■	4058075091672	2x42W CFLi	35	2975	85	3000	50000	45000	100	DALI
DL ALU DALI DN 200 35 W 4000 K IP44/IP20 WT	■	4058075091696	2x42W CFLi	35	3150	90	4000	50000	45000	100	DALI
DL ALU DALI DN 200 35 W 6500 K IP44/IP20 WT	■	4058075091719	2x42W CFLi	35	3150	90	6500	50000	45000	100	DALI



Product name	CRI		L x W x H [mm] Ø x H [mm]
DL ALU DN 150 14 W 3000 K IP44/IP20 WT	>80	150	160x52
DL ALU DN 150 14 W 4000 K IP44/IP20 WT	>80	150	160x52
DL ALU DN 150 14 W 6500 K IP44/IP20 WT	>80	150	160x52
DL ALU DN 200 25 W 3000 K IP44/IP20 WT	>80	200	215x61
DL ALU DN 200 25 W 4000 K IP44/IP20 WT	>80	200	215x61
DL ALU DN 200 25 W 6500 K IP44/IP20 WT	>80	200	215x61
DL ALU DN 200 35 W 3000 K IP44/IP20 WT	>80	200	215x61
DL ALU DN 200 35 W 4000 K IP44/IP20 WT	>80	200	215x61
DL ALU DN 200 35 W 6500 K IP44/IP20 WT	>80	200	215x61
DL ALU DALI DN 150 14 W 3000 K IP44/IP20 WT	>80	150	160x52
DL ALU DALI DN 150 14 W 4000 K IP44/IP20 WT	>80	150	160x52
DL ALU DALI DN 150 14 W 6500 K IP44/IP20 WT	>80	150	160x52
DL ALU DALI DN 200 25 W 3000 K IP44/IP20 WT	>80	200	215x61
DL ALU DALI DN 200 25 W 4000 K IP44/IP20 WT	>80	200	215x61
DL ALU DALI DN 200 25 W 6500 K IP44/IP20 WT	>80	200	215x61
DL ALU DALI DN 200 35 W 3000 K IP44/IP20 WT	>80	200	215x61
DL ALU DALI DN 200 35 W 4000 K IP44/IP20 WT	>80	200	215x61
DL ALU DALI DN 200 35 W 6500 K IP44/IP20 WT	>80	200	215x61

¹ t [h]: L70/B50 @ 25 °C (Ta) / t [h]: L80/B10 @ 25 °C (Ta)

DOWNLIGHT ALU EMERGENCY

Downlight luminaires with aluminum housing and integrated emergency lighting function

Product name	Segmentation	GTIN (EAN)	RE-PLACEMENT FOR	W	lm	lm/W	K	L70 ¹	L80 ¹	
DL ALU EM DN150 14 W 3000 K AT 3H WT	■	4058075204201	1x26W CFLi	14	1190	85	3000	50000	45000	100
DL ALU EM DN150 14 W 4000 K AT 3H WT	■	4058075204225	1x26W CFLi	14	1260	90	4000	50000	45000	100
DL ALU EM DN150 14 W 6500 K AT 3H WT	■	4058075204249	1x26W CFLi	14	1330	95	6500	50000	45000	100
DL ALU EM DN200 25 W 3000 K AT 3H WT	■	4058075204263	2x26W CFLi	25	2250	90	3000	50000	45000	100
DL ALU EM DN200 25 W 4000 K AT 3H WT	■	4058075204287	2x26W CFLi	25	2370	95	4000	50000	45000	100
DL ALU EM DN200 25 W 6500 K AT 3H WT	■	4058075204300	2x26W CFLi	25	2370	95	6500	50000	45000	100
DL ALU EM DN200 35 W 3000 K AT 3H WT	■	4058075204324	2x42W CFLi	35	2975	85	3000	50000	45000	100
DL ALU EM DN200 35 W 4000 K AT 3H WT	■	4058075204348	2x42W CFLi	35	3150	90	4000	50000	45000	100
DL ALU EM DN200 35 W 6500 K AT 3H WT	■	4058075204362	2x42W CFLi	35	3150	90	6500	50000	45000	100



Product name	CRI		L x W x H [mm] Ø x H [mm]
DL ALU EM DN150 14 W 3000 K AT 3H WT	>80	150	160x52
DL ALU EM DN150 14 W 4000 K AT 3H WT	>80	150	160x52
DL ALU EM DN150 14 W 6500 K AT 3H WT	>80	150	160x52
DL ALU EM DN200 25 W 3000 K AT 3H WT	>80	200	215x61
DL ALU EM DN200 25 W 4000 K AT 3H WT	>80	200	215x61
DL ALU EM DN200 25 W 6500 K AT 3H WT	>80	200	215x61
DL ALU EM DN200 35 W 3000 K AT 3H WT	>80	200	215x61
DL ALU EM DN200 35 W 4000 K AT 3H WT	>80	200	215x61
DL ALU EM DN200 35 W 6500 K AT 3H WT	>80	200	215x61

EMERGENCY LIGHTING PROPERTIES

Product name	Battery life in emergency operation mode	Type of emergency operation test	Type of emergency light operation	Luminous flux in emergency operation mode	Type of Battery
DL ALU EM DN150 14 W 3000 K AT 3H WT	3 h	Automatic	Maintained/Non-maintained	400 lm	LiFePO4
DL ALU EM DN150 14 W 4000 K AT 3H WT	3 h	Automatic	Maintained/Non-maintained	400 lm	LiFePO4
DL ALU EM DN150 14 W 6500 K AT 3H WT	3 h	Automatic	Maintained/Non-maintained	400 lm	LiFePO4
DL ALU EM DN200 25 W 3000 K AT 3H WT	3 h	Automatic	Maintained/Non-maintained	400 lm	LiFePO4
DL ALU EM DN200 25 W 4000 K AT 3H WT	3 h	Automatic	Maintained/Non-maintained	400 lm	LiFePO4
DL ALU EM DN200 25 W 6500 K AT 3H WT	3 h	Automatic	Maintained/Non-maintained	400 lm	LiFePO4
DL ALU EM DN200 35 W 3000 K AT 3H WT	3 h	Automatic	Maintained/Non-maintained	400 lm	LiFePO4
DL ALU EM DN200 35 W 4000 K AT 3H WT	3 h	Automatic	Maintained/Non-maintained	400 lm	LiFePO4
DL ALU EM DN200 35 W 6500 K AT 3H WT	3 h	Automatic	Maintained/Non-maintained	400 lm	LiFePO4

¹ t [h]: L70/B50 @ 25 °C (Ta) / t [h]: L80/B10 @ 25 °C (Ta)



DOWNLIGHT SLIM ALU

Flat downlights with external driver and aluminum housing



PRODUCT FEATURES

- Solid aluminum housing in white
- Diffuser made of opal PMMA
- Small visible bezel

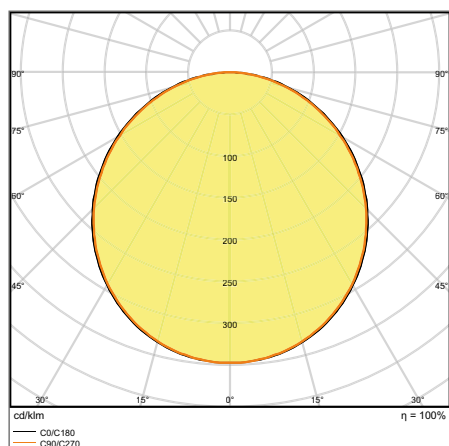
PRODUCT BENEFITS

- Extremely small mounting depth due to very low-profile housing
- Energy savings of up to 60 % compared to luminaires that use CFL
- External driver for easy replacement
- 5 years guarantee

AREAS OF APPLICATION

- Direct replacement for luminaires with compact fluorescent lamps
- General illumination
- Public areas
- Stairways
- Corridors

FURTHER PRODUCT DETAILS



DL SLIM ALU DN 205 22 W 4000 K WT

¹ Refer to www.ledvance.com/guarantee for precise conditions

The pictures shown in the catalog are for illustration purposes only. For information on size and color, please refer to the product table.

Product name	Segmentation	GTIN (EAN)	RE-PLACE-MENT-FOR	W	lm	lm/W	K	L70 ¹	L80 ¹	
DL SLIM ALU DN 180 17 W 3000 K WT	■	4058075063921	1x26W CFLi	17	1350	80	3000	50000	30000	120
DL SLIM ALU DN 180 17 W 4000 K WT	■	4058075063945	1x26W CFLi	17	1400	80	4000	50000	30000	120
DL SLIM ALU DN 205 22 W 3000 K WT	■	4058075064003	2x18W CFLi	22	1850	85	3000	50000	30000	120
DL SLIM ALU DN 205 22 W 4000 K WT	■	4058075064027	2x18W CFLi	22	1920	90	4000	50000	30000	120



Product name	CRI		L x W x H [mm] Ø x H [mm]
DL SLIM ALU DN 180 17 W 3000 K WT	>80	180	192 x 23
DL SLIM ALU DN 180 17 W 4000 K WT	>80	180	192 x 23
DL SLIM ALU DN 205 22 W 3000 K WT	>80	205	225 x 23
DL SLIM ALU DN 205 22 W 4000 K WT	>80	205	225 x 23

¹ t [h]: L70/B50 @ 25 °C (Ta) / t [h]: L80/B10 @ 25 °C (Ta)

SPOTLIGHTS

IMPRESSIVE ALL ROUND: OUR SPOTLIGHTS

SPOT VARIO



Page 28



PERFORM-
MANCE
CLASS

VERSATILE SWIVEL SPOTLIGHT FOR THE RETAIL AREA

- Ideal for accent lighting thanks to highly flexible tilt and swivel capability
- Easy replacement of the external driver thanks to plug with bayonet connection
- Low-flicker light < 10 %

SPOT MULTI



Page 30



PERFORM-
MANCE
CLASS

POWERFUL MULTI-SPOTLIGHT WITH GIMBAL

- Low-flicker light < 10 %
- Flexible application thanks to excellent anti-glare properties UGR < 16
- Light-proof housing

SPOT SQUARE ADJUST



Page 32



PERFORM-
MANCE
CLASS

ATTRACTIVE SQUARE SPOTLIGHT

- Cut-off angle for good glare reduction and high visual comfort
- Energy savings of up to 90 % compared with halogen lamp spotlights
- Housing made of die-cast aluminum for improved heat dissipation

SPOT ROUND ADJUST



Page 34

SPOT ADJUST
SPOT ADJUST DALI



PERFORM-
MANCE
CLASS

ADJUSTABLE REPLACEMENT FOR HALOGEN SPOTLIGHT

- Extended range of applications through versions with DALI or switchable driver
- Energy savings of up to 90 % compared with halogen lamp spotlights
- Simple installation for 3–20 mm ceiling thickness

SPOT ROUND FIX



Page 36

SPOT DIM

SPOT FIREPROOF FIX:

- SPOT FIREPROOF DIM
- SPOT FIREPROOF

SPOT DARKLIGHT



PERFORM-
MANCE
CLASS

VERSATILE FAMILY

- Various versions such as IP44, IP65 and dimmable for a wide range of applications
- Energy savings of up to 90 % compared with halogen lamp spotlights
- Simple installation for 3–20 mm ceiling thickness

SPOT KIT



Page 27



VALUE
CLASS

LAMP FANS LOVE IT

- Replaceable LED lamp with GU10 base
- Direct replacement for conventional 50W halogen recessed luminaires
- Single light point optics

SPOT KIT

Recessed mounted spotlight, GU10 lamp included



PRODUCT FEATURES

- White aluminum injection-molded ring with bayonet connection for lamp replacement
- Spot can be swiveld 20° into all directions
- Beam angle: 36°
- Diameter of required ceiling cut-out: 75 mm

PRODUCT BENEFITS

- Replaceable LED lamp with GU10 base included
- Direct replacement for conventional 50 W halogen luminaires
- Single spot optics
- Dimmable on the leading edge and trailing edge
- 3 years guarantee

AREAS OF APPLICATION

- Corridors
- Shop lighting
- Living rooms
- Foyers

Product name	Segmentation	GTIN (EAN)	REPLACE-MENT-FOR	W	lm	lm/W	K	L70 ²	36°	36°
SP KIT ADJ 7 W 4000 K GU10 DIM	■	4058075156784	65W HAL	7	500	70	4000	25000	36	✓

Product name	CRI	UGR	36°	L x W x H [mm]	∅ x H [mm]
SP KIT ADJ 7 W 4000 K GU10 DIM	>80	<19	75	88.5 x 107	

¹ Refer to www.ledvance.com/guarantee for precise conditions

² t [h]: L70/B50 @ 25 °C (Ta) / t [h]: L80/B10 @ 25 °C (Ta)

The pictures shown in the catalog are for illustration purposes only. For information on size and color, please refer to the product table.

■ SUPERIOR CLASS ■ PERFORMANCE CLASS ■ VALUE CLASS

SPOT VARIO

Recessed mounted spotlight, swivelable



PRODUCT FEATURES

- Housing material: aluminum
- Rotation angle: 0°...350°, tilt angle: 0°...35°
- Beam angle: 24°
- Large faceted reflector for high light output

PRODUCT BENEFITS

- Ideal for accent lighting thanks to highly flexible tilt and swivel capability
- Easy replacement of external driver thanks to plug with bayonet lock
- Low-flicker light
- Die-cast aluminum housing for improved heat dissipation
- 5 years guarantee

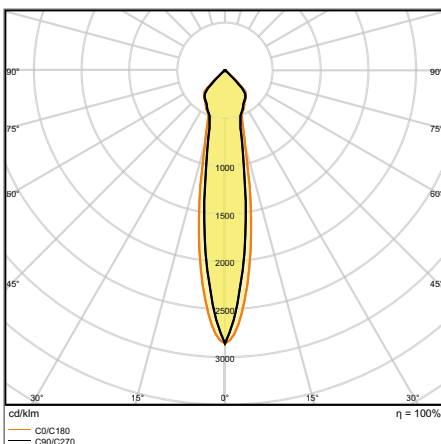
AREAS OF APPLICATION

- Accent- and general lighting for all kind of salesrooms
- Retail
- Supermarkets
- Shops, boutiques
- Hotel rooms

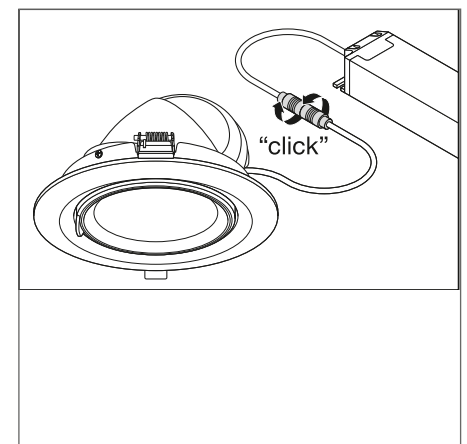
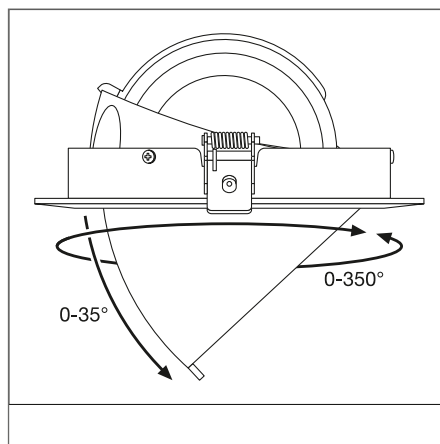
EQUIPMENT / ACCESSORIES

- Driver included

FURTHER PRODUCT DETAILS



SPOT VARIO DN 170 35 W 3000 K
24DEG WT



¹ Refer to www.ledvance.com/guarantee for precise conditions

The pictures shown in the catalog are for illustration purposes only. For information on size and color, please refer to the product table.

Product name	Segmentation	GTIN (EAN)	RE-PLACE-MENT-FOR	W	lm	lm/W	K	L70 ¹	L80 ¹	°
SPOT VARIO DN 170 35 W 3000 K 24DEG WT	■	4058075104020	1x70W HID	35	3350	95	3000	50000	45000	24
SPOT VARIO DN 170 35 W 4000 K 24DEG WT	■	4058075104044	1x70W HID	35	3550	100	4000	50000	45000	24



Product name	CRI	FLICKER VALUE	⚡	Ⓜ	L x W x H [mm] Ø x H [mm]
SPOT VARIO DN 170 35 W 3000 K 24DEG WT	>80	<10 %	170	1126	180x129
SPOT VARIO DN 170 35 W 4000 K 24DEG WT	>80	<10 %	170	1126	180x129

¹ t [h]: L70/B50 @ 25 °C (Ta) / t [h]: L80/B10 @ 25 °C (Ta)

SPOT MULTI

Recessed mounted spotlight, swivelable



PRODUCT FEATURES

- Housing material: aluminum
- Housing, black; frame, white
- One driver per luminaire head (1-, 2-, 3-lamp)
- Gimbal adjustment angle: +/- 25°

PRODUCT BENEFITS

- Low-flicker light
- Flexible application thanks to excellent anti-glare properties UGR <16
- Light-proof housing
- Easy replacement of external driver thanks to plug with bayonet lock

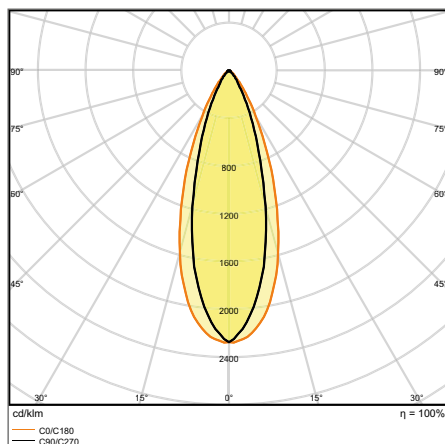
AREAS OF APPLICATION

- Accent- and general lighting for all kind of salesrooms
- Fashion shops, accessories shops
- Shops, boutiques
- Hotel rooms
- Cafés

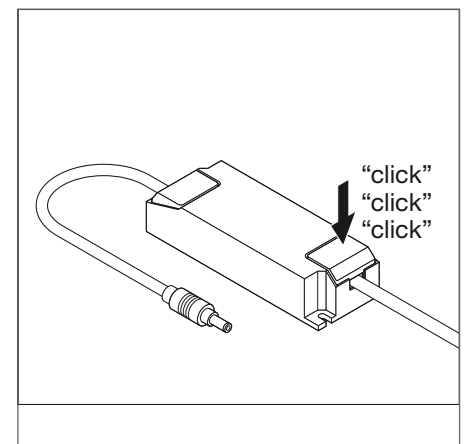
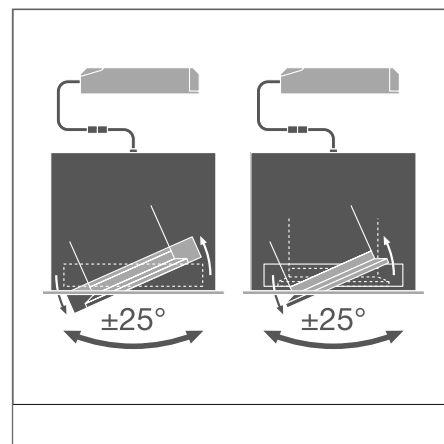
EQUIPMENT / ACCESSORIES

- Driver included

FURTHER PRODUCT DETAILS



SPOT MULTI 1 x 30W 3000K FL WT/BK



¹ Refer to www.ledvance.com/guarantee for precise conditions

The pictures shown in the catalog are for illustration purposes only. For information on size and color, please refer to the product table.

Product name	Segmentation	GTIN (EAN)	RE- PLACE- MENT FOR	W	lm	lm/W	K	L70 ¹	L80 ¹	°
SPOT MULTI 1 x 30W 3000K FL WT/BK	■	4058075113923	1x35W HID	30	2700	90	3000	50000	45000	38
SPOT MULTI 1 x 30W 4000K FL WT/BK	■	4058075113947	1x35W HID	30	2700	90	4000	50000	45000	38
SPOT MULTI 2 x 30W 3000K FL WT/BK	■	4058075113961	2x35W HID	2*30	2*2700	90	3000	50000	45000	38
SPOT MULTI 2 x 30W 4000K FL WT/BK	■	4058075113985	2x35W HID	2*30	2*2700	90	4000	50000	45000	38
SPOT MULTI 3 x 30W 3000K FL WT/BK	■	4058075114005	3x35W HID	3*30	3*2700	90	3000	50000	45000	38
SPOT MULTI 3 x 30W 4000K FL WT/BK	■	4058075114029	3x35W HID	3*30	3*2700	90	4000	50000	45000	38



Product name	CRI	FLICKER VALUE			L x W x H [mm] Ø x H [mm]	 No.
SPOT MULTI 1 x 30W 3000K FL WT/BK	>80	<10 %	164 x 160	1540	173 x 173 x 135	1
SPOT MULTI 1 x 30W 4000K FL WT/BK	>80	<10 %	164 x 160	1540	173 x 173 x 135	1
SPOT MULTI 2 x 30W 3000K FL WT/BK	>80	<10 %	320 x 160	2700	330 x 173 x 135	3
SPOT MULTI 2 x 30W 4000K FL WT/BK	>80	<10 %	320 x 160	2700	330 x 173 x 135	3
SPOT MULTI 3 x 30W 3000K FL WT/BK	>80	<10 %	475 x 160	3870	487 x 173 x 135	2
SPOT MULTI 3 x 30W 4000K FL WT/BK	>80	<10 %	475 x 160	3870	487 x 173 x 135	2

¹ t [h]: L70/B50 @ 25 °C (Ta) / t [h]: L80/B10 @ 25 °C (Ta)

SPOT SQUARE ADJUST

Recessed mounted spotlight, adjustable, square shape



PRODUCT FEATURES

- High-quality, square die-cast aluminum housing for better heat dissipation, matt black and white
- Adjustable tilt angle: +/- 20°
- Low-flicker light

PRODUCT BENEFITS

- Cut off angle for comfortable indoor lighting
- Energy savings of up to 90 % compared to halogen lamp spotlights
- Die-cast aluminum housing for improved heat dissipation
- External driver for extended flexibility (compatible with selected DALI drivers)
- 5 years guarantee

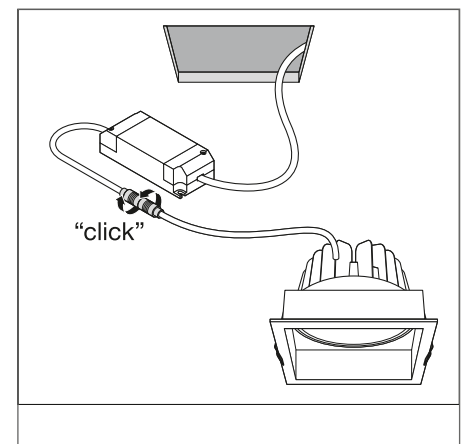
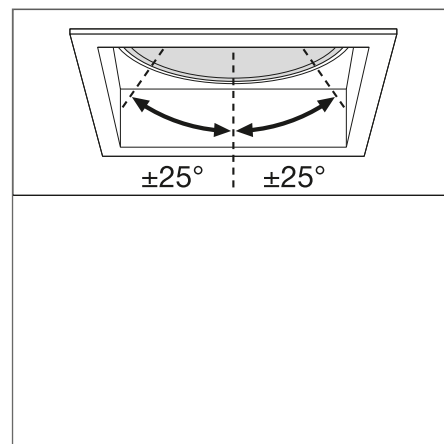
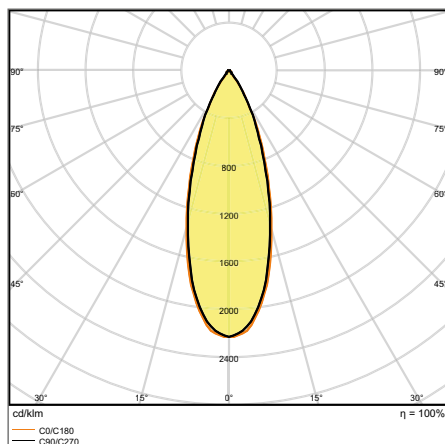
AREAS OF APPLICATION

- Replacement of halogen lamp spotlights
- General accent lighting
- Shops, boutiques
- Hotel rooms
- Bars, restaurants

EQUIPMENT / ACCESSORIES

- Driver included

FURTHER PRODUCT DETAILS



SPOT SQUARE DK ADJ 8 W 3000 K WT

¹ Refer to www.ledvance.com/guarantee for precise conditions

The pictures shown in the catalog are for illustration purposes only. For information on size and color, please refer to the product table.

Product name	Segmentation	GTIN (EAN)	RE-PLACE-MENT-FOR	W	lm	lm/W	K	L70 ¹	L80 ¹	°
SPOT SQUARE DK ADJ 8 W 3000 K WT	■	4058075114043	75W HAL	8	650	90	3000	50000	45000	36
SPOT SQUARE DK ADJ 8 W 3000 K BK	■	4058075114067	75W HAL	8	650	90	3000	50000	45000	36



Product name	CRI	FLICKER VALUE	⚡	L x W x H [mm]	⊘ x H [mm]	Light No.
SPOT SQUARE DK ADJ 8 W 3000 K WT	>80	<10 %	83x83	90x90x72		2
SPOT SQUARE DK ADJ 8 W 3000 K BK	>80	<10 %	83x83	90x90x72		3

¹ t [h]: L70/B50 @ 25 °C (Ta) / t [h]: L80/B10 @ 25 °C (Ta)

SPOT ROUND ADJUST

Recessed mounted spotlight, adjustable, round shape



PRODUCT FEATURES

- Die-cast aluminum housing, white
- Adjustable tilt angle: +/- 20°
- Available with DALI or switchable driver

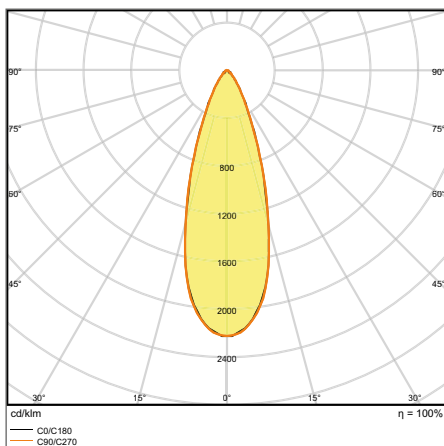
PRODUCT BENEFITS

- Extended range of applications through versions with DALI or switchable driver
- Energy savings of up to 90 % compared to halogen lamp spotlights
- Easy installation for ceiling thickness: 3 - 20 mm
- 5 years guarantee

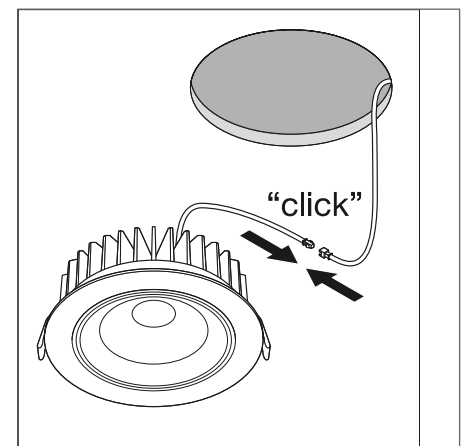
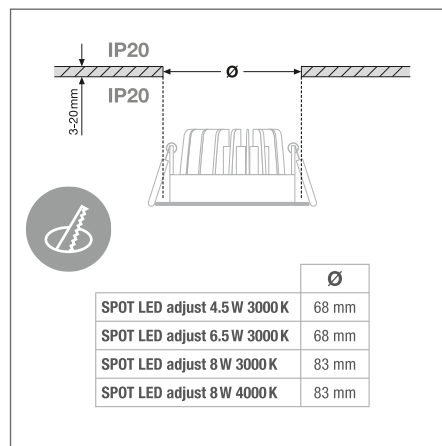
AREAS OF APPLICATION

- Replacement of halogen lamp spotlights
- General illumination
- Hotel rooms
- Bars, restaurants
- Accent lighting

FURTHER PRODUCT DETAILS



SPOT ADJUST 8 W 4000 K WT



¹ Refer to www.ledvance.com/guarantee for precise conditions

The pictures shown in the catalog are for illustration purposes only. For information on size and color, please refer to the product table.

Product name	Segmentation	GTIN (EAN)	RE- PLACE- MENT FOR	W	lm	lm/W	K	L70 ¹	L80			
SPOT ADJUST 4.50 W 3000 K WT	■	4058075126886	35W HAL	5	360	80	3000	50000	40000	36	-	-
SPOT ADJUST 6.50 W 3000 K WT	■	4058075126909	50W HAL	7	550	85	3000	50000	40000	36	-	-
SPOT ADJUST 8 W 3000 K WT	■	4058075126848	75W HAL	8	660	85	3000	50000	40000	36	-	-
SPOT ADJUST 8 W 4000 K WT	■	4058075126862	75W HAL	8	720	90	4000	50000	40000	36	-	-
SPOT ADJUST DALI 8 W 3000 K IP20 WT	■	4058075219946	75W HAL	8	660	85	3000	50000	40000	36	✓	DALI
SPOT ADJUST DALI 8 W 4000 K IP20 WT	■	4058075219922	75W HAL	8	720	90	4000	50000	40000	36	✓	DALI



Product name	CRI	IK		L x W x H [mm]	Ø x H [mm]
SPOT ADJUST 4.50 W 3000 K WT	>80	IK06	68	80 x 36	
SPOT ADJUST 6.50 W 3000 K WT	>80	IK06	68	80 x 36	
SPOT ADJUST 8 W 3000 K WT	>80	IK06	83	90 x 47	
SPOT ADJUST 8 W 4000 K WT	>80	IK06	83	90 x 47	
SPOT ADJUST DALI 8 W 3000 K IP20 WT	>80	IK06	83	90 x 47	
SPOT ADJUST DALI 8 W 4000 K IP20 WT	>80	IK06	83	90 x 47	

¹ t [h]: L70/B50 @ 25 °C (Ta) / t [h]: L80/B10 @ 25 °C (Ta)

SPOT ROUND FIX

Recessed mounted spotlight, fixed, round shape



PRODUCT FEATURES

- Die-cast aluminum housing, white
- Fire-resistant (up to 90 minutes, tested in accordance with EN 1365-2:2014 ,fire resistance tests for loadbearing elements - Part 2: Floors and roofs')
- Type of protection, front side: IP65
- Dimmable (with suitable Phase-cut dimmers)

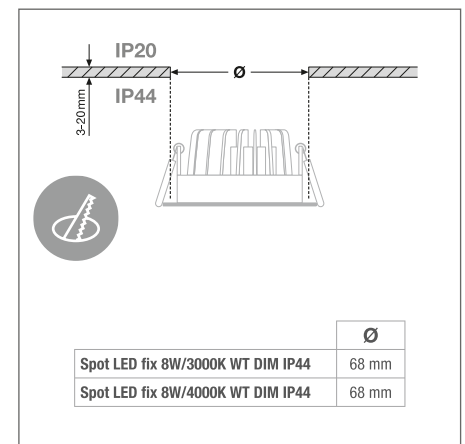
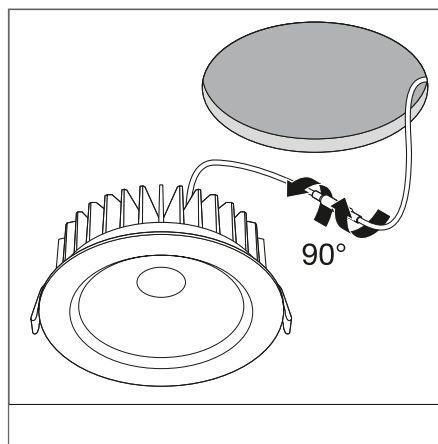
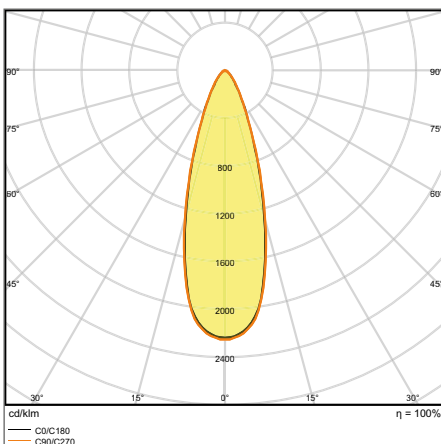
PRODUCT BENEFITS

- Recessed spotlight usable for fire protection applications
- Energy savings of up to 90 % compared to halogen lamp spotlights
- Easy installation for ceiling thickness: 3 - 20 mm
- Designed for extra IP protection
- 5 years guarantee

AREAS OF APPLICATION

- Replacement of halogen lamp spotlights
- General illumination
- Hotel rooms
- Bars, restaurants
- Accent lighting

FURTHER PRODUCT DETAILS



SPOT FIX DIM 8 W 4000 K IP44/IP20 SI

¹ Refer to www.ledvance.com/guarantee for precise conditions

The pictures shown in the catalog are for illustration purposes only. For information on size and color, please refer to the product table.

Product name	Segmentation	GTIN (EAN)	RE- PLACE- MENT FOR	W	lm	lm/W	K	L70 ¹	L80 ¹		
SPOT FIX DIM 8 W 3000 K IP44/IP20 SI	■	4058075126923	75W HAL	8	620	75	3000	50000	40000	36	✓
SPOT FIX DIM 8 W 3000 K IP44/IP20 WT	■	4058075127043	75W HAL	8	620	75	3000	50000	40000	36	✓
SPOT FIX DIM 8 W 4000 K IP44/IP20 SI	■	4058075127067	75W HAL	8	670	80	4000	50000	40000	36	✓
SPOT FIX DIM 8 W 4000 K IP44/IP20 WT	■	4058075127104	75W HAL	8	670	80	4000	50000	40000	36	✓



Product name	CRI	IK		L x W x H [mm] Ø x H [mm]	
SPOT FIX DIM 8 W 3000 K IP44/IP20 SI	>80	IK06	68	81 x 51	1
SPOT FIX DIM 8 W 3000 K IP44/IP20 WT	>80	IK06	68	81 x 51	-
SPOT FIX DIM 8 W 4000 K IP44/IP20 SI	>80	IK06	68	81 x 51	1
SPOT FIX DIM 8 W 4000 K IP44/IP20 WT	>80	IK06	68	81 x 51	-

¹ t [h]: L70/B50 @ 25 °C (Ta) / t [h]: L80/B10 @ 25 °C (Ta)

SPOT FIREPROOF FIX

Recessed mounted spotlight, round shape, fire-resistant



PRODUCT FEATURES

- Die-cast aluminum housing, white
- Fire-resistant (up to 90 minutes, tested in accordance with EN 1365-2:2014 ,fire resistance tests for loadbearing elements - Part 2: Floors and roofs¹*)
- Type of protection, front side: IP65
- Dimmable (with suitable Phase-cut dimmers)

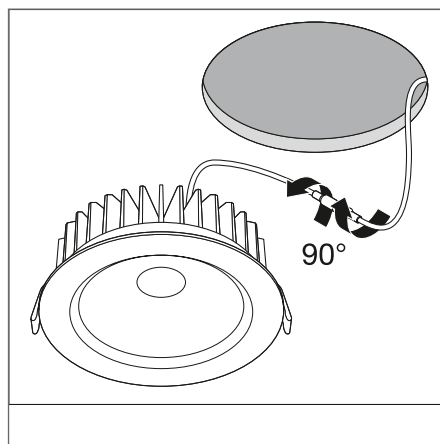
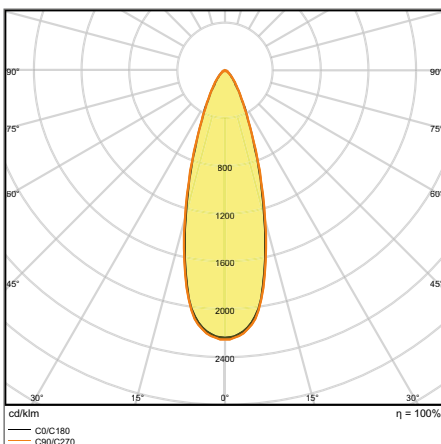
PRODUCT BENEFITS

- Recessed spotlight usable for fire protection applications
- Energy savings of up to 90 % compared to halogen lamp spotlights
- Easy installation for ceiling thickness: 3 - 20 mm
- Designed for extra IP protection
- 5 years guarantee

AREAS OF APPLICATION

- Replacement of halogen lamp spotlights
- Hotel rooms
- Bars, restaurants
- Bathrooms
- Accent lighting

FURTHER PRODUCT DETAILS



	Ø
SpotFP LED fix 8W/3000K WT DIM IP65	68 mm
SpotFP LED fix 8W/4000K WT DIM IP65	68 mm

SPOT FP FIX DIM 8 W 4000 K IP65/IP20 WT

* Coordination with your responsible fire protection inspector is required in advance!

¹ Refer to www.ledvance.com/guarantee for precise conditions

The pictures shown in the catalog are for illustration purposes only. For information on size and color, please refer to the product table.

SPOT FIREPROOF DIM

Recessed mounted spotlight, round shape, fire-resistant, dimmable

Product name	Segmentation	GTIN (EAN)	RE-PLACEMENT FOR	W	lm	lm/W	K	L70 ¹	L80 ¹	△	⌚
SPOT FP FIX DIM 8 W 3000 K IP65/IP20 WT	■	4058075127432	75W HAL	8	620	75	3000	50000	40000	36	✓
SPOT FP FIX DIM 8 W 4000 K IP65/IP20 WT	■	4058075127555	75W HAL	8	670	80	4000	50000	40000	36	✓
SPOT FP FIX DIM 8 W 3000 K IP65/IP20 SI	■	4058075127371	75W HAL	8	620	75	3000	50000	40000	36	✓
SPOT FP FIX DIM 8 W 4000 K IP65/IP20 SI	■	4058075127494	75W HAL	8	670	80	4000	50000	40000	36	✓



Product name	CRI	IK	△	L x W x H [mm]	⌀ x H [mm]	Light No.
SPOT FP FIX DIM 8 W 3000 K IP65/IP20 WT	>80	IK06	68	81 x 51	-	-
SPOT FP FIX DIM 8 W 4000 K IP65/IP20 WT	>80	IK06	68	81 x 51	2	-
SPOT FP FIX DIM 8 W 3000 K IP65/IP20 SI	>80	IK06	68	81 x 51	-	-
SPOT FP FIX DIM 8 W 4000 K IP65/IP20 SI	>80	IK06	68	81 x 51	-	-

SPOT FIREPROOF

Recessed mounted spotlight, round shape, fire-resistant

Product name	Segmentation	GTIN (EAN)	RE-PLACEMENT FOR	W	lm	lm/W	K	L70 ¹	L80 ¹	△
SPOT FP FIX 7 W 3000 K IP65/IP20 WT	■	4058075127333	50W HAL	7	530	75	3000	50000	40000	38



Product name	CRI	IK	△	L x W x H [mm]	⌀ x H [mm]	Light No.
SPOT FP FIX 7 W 3000 K IP65/IP20 WT	>80	IK06	68	90 x 72	1	1

¹ t [h]: L70/B50 @ 25 °C (Ta) / t [h]: L80/B10 @ 25 °C (Ta)

SPOT DARKLIGHT

Recessed mounted spotlight, round shape, Darklight with cut-off



PRODUCT FEATURES

- Die-cast aluminum housing, white
- Type of protection, front side: IP44
- Diameter of required ceiling cut-out: 63 mm

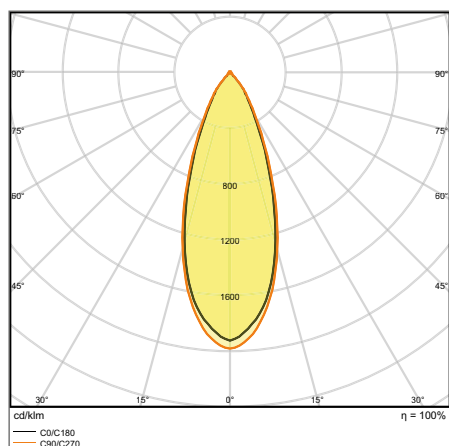
PRODUCT BENEFITS

- 70° cut off angle - perfect for shelf lighting
- Energy savings of up to 90 % compared to halogen lamp spotlights
- Easy installation for ceiling thickness: 3 - 20 mm
- 5 years guarantee

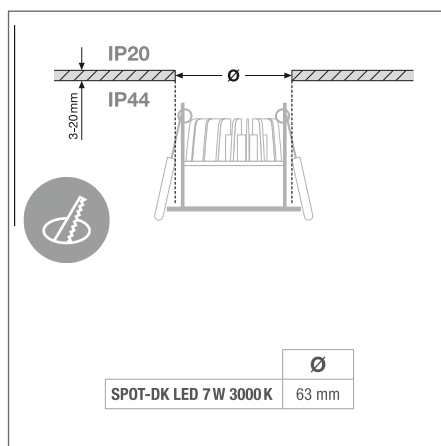
AREAS OF APPLICATION

- Replacement of conventional 50 W halogen spotlights
- Hotel rooms
- Bars, restaurants
- Bathrooms
- Shelf and undercabinet lighting

FURTHER PRODUCT DETAILS



SPOT DK FIX 7 W 3000 K IP44/IP20 WT



¹ Refer to www.ledvance.com/guarantee for precise conditions

The pictures shown in the catalog are for illustration purposes only. For information on size and color, please refer to the product table.



Product name	Segmentation	GTIN (EAN)	RE-PLACE-MENT-FOR	W	lm	lm/W	K	L70 ¹	L80 ¹	°
SPOT DK FIX 7 W 3000 K IP44/IP20 WT	■	4058075127166	50W HAL	7	580	85	3000	50000	40000	36



Product name	CRI	IK	∅	L x W x H [mm]
SPOT DK FIX 7 W 3000 K IP44/IP20 WT	>80	IK06	63	70x58

¹ t [h]: L70/B50 @ 25 °C (Ta) / t [h]: L80/B10 @ 25 °C (Ta)

TRACKLIGHTS

REDUCED DESIGN, EXTENSIVE FUNCTIONS

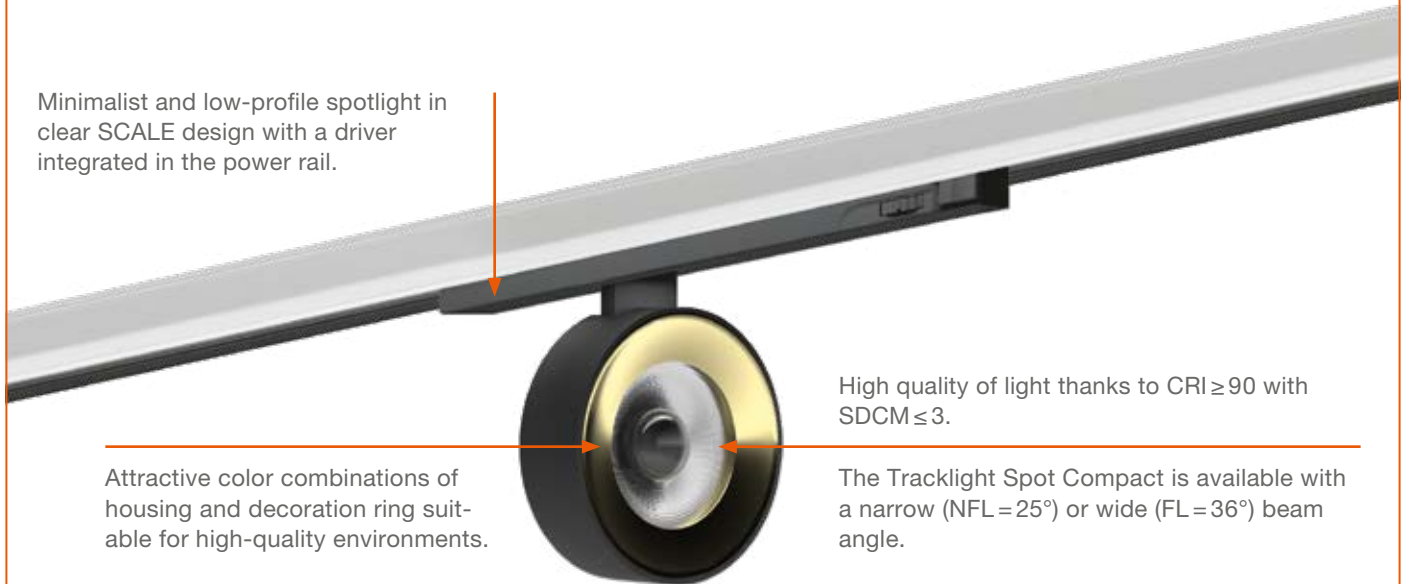
TRACKLIGHT SPOT COMPACT



Design spotlight – aesthetic and functional
Page 44

PERFOR-
MANCE
CLASS

Minimalist and low-profile spotlight in clear SCALE design with a driver integrated in the power rail.



Attractive color combinations of housing and decoration ring suitable for high-quality environments.

High quality of light thanks to $CRI \geq 90$ with $SDCM \leq 3$.

The Tracklight Spot Compact is available with a narrow ($NFL = 25^\circ$) or wide ($FL = 36^\circ$) beam angle.

Choice of color for housing + ring:



Matt white (WT)
+ titanium



Matt black (BK)
+ gold



Concrete gray (GY)
+ chrome



OUR SPOTLIGHTS ARE ALSO CHARACTERIZED BY THE FOLLOWING SHARED QUALITY FEATURES:

- Included 3-phase adapter compatible with common power rails (such as NORLUX, GLOBAL, NUCO, NORDIC)
- High material quality thanks to die-cast aluminum housing
- High flexibility thanks to tilt and swivel joints



TRACKLIGHT SPOT ZOOM DIM

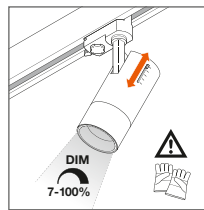
Accurately focused light for flexible illumination
Page 46

PERFORMANCE CLASS

Outstanding quality of light thanks to CRI ≥ 97 with Ra9 > 90 (color rendering of red tones) and low-flicker light (< 10 %).

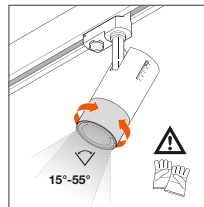


Choice of color for housing:



DIM FUNCTION

Dimmable (7 %–100 %) by means of a slider on the housing; DIM level visible on a scale.



ZOOM LENS

Mechanical ZOOM lens made of high-quality PMMA with adjustable beam angle (15°–55°); angle visible on a scale on the lens holder. The ZOOM mechanism concealed in the housing keeps the shape of the housing unchanged.

TRACKLIGHT SPOT

Simply compact – a true all-rounder: Excellent light comfort thanks to CRI ≥ 90, SDCM ≤ 3 and UGR < 16. They master a wide range of lighting tasks thanks to replaceable, dust-proof reflectors and various power levels.
Page 48

PERFORMANCE CLASS



Choice of color for housing:

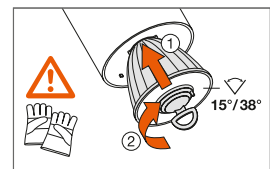


THREE REFLECTORS FOR FLEXIBLE ACCENT LIGHTING

The reflectors are quick and easy to replace thanks to the practical bayonet connection and the supplied rubber suction cup.

The following replaceable reflectors are available:

the supplied standard Medium 24° reflector, as well as 2 Spot 15° and Flood 38° reflectors (order separately as accessories).



Distance (m)	∅ Light beam (m)	lx
1.0	0.3	11,000 lx
2.0	0.6	2,900 lx
3.0	0.9	1,300 lx

Distance (m)	∅ Light beam (m)	lx
1.0	0.4	9,200 lx
2.0	0.8	2,300 lx
3.0	1.2	1,000 lx

Distance (m)	∅ Light beam (m)	lx
1.0	1.4	4,200 lx
2.0	2.8	1,000 lx
3.0	4.2	470 lx

EAN: 4 058075113442, Tracklight Spot 25 W/3,000 K, rounded measured values

TRACKLIGHT SPOT COMPACT

Shaped 3-phase tracklight spot with in-track control gear



PRODUCT FEATURES

- Robust die-cast aluminum housing
- Available in matt white (like RAL9010), matt black (like RAL9005) and concrete grey (like RAL7042)
- Compact tracklight spot with in-track control gear
- Very good color rendering CRI>90
- Color consistency: ≤ 3 SDCM (threshold unit)

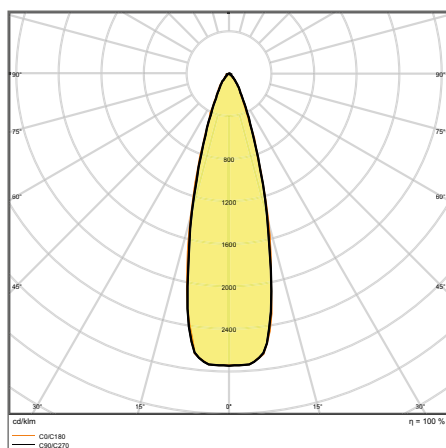
PRODUCT BENEFITS

- High-quality spotlight thanks to excellent color rendering
- Included 3-phase adapter compatible with common tracks (NORLUX, GLOBAL, NUCO, NORDIC, POWERGEAR, EUTRAC)
- Attractive color combinations of housing/ decoration ring in white/titanium, black/gold, gray/chrome
- Made in Germany
- 5 years guarantee

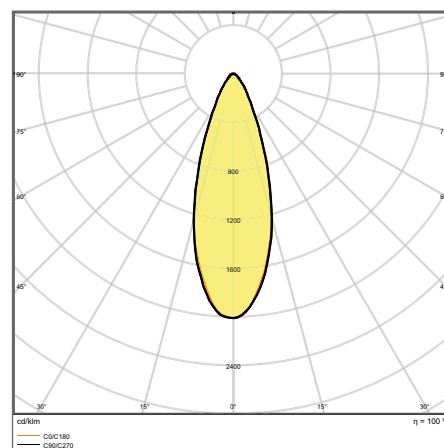
AREAS OF APPLICATION

- Direct replacement for luminaires using HID lamps
- Accent lighting
- Fashion shops, accessories shops
- Retail
- Hotels, restaurants, shops

FURTHER PRODUCT DETAILS



TR SP COMPACT D100 28 W 940 NFL BK

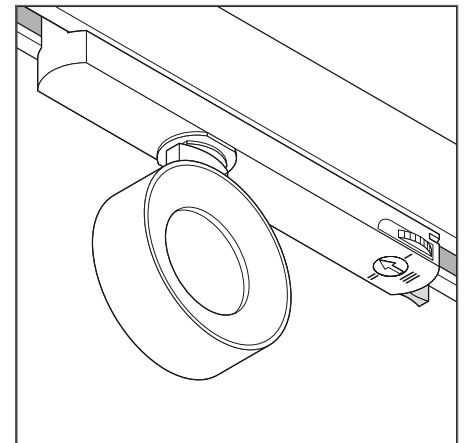
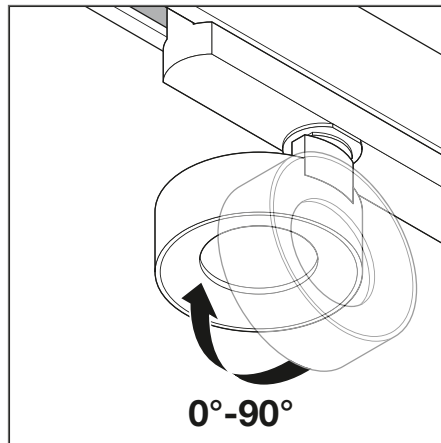
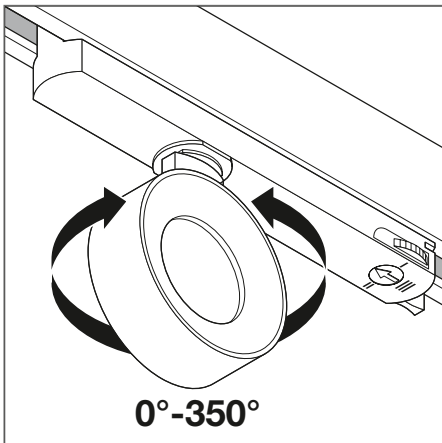


TR SP COM D100 28 W 4000 K FL

¹ Refer to www.ledvance.com/guarantee for precise conditions

The pictures shown in the catalog are for illustration purposes only. For information on size and color, please refer to the product table.

FURTHER PRODUCT DETAILS



Product name	Segmentation	GTIN (EAN)	RE-PLACE-MENT FOR	W	lm	lm/W	K	L70 ¹	L80 ¹	△
TR SP COMPACT D100 28 W 930 NFL WT	■	4058075335844	35W HCl	28	2280	80	3000	80000	50000	25
TR SP COMPACT D100 28 W 930 FL WT	■	4058075335868	35W HCl	28	2200	80	3000	80000	50000	36
TR SP COMPACT D100 28 W 940 NFL WT	■	4058075335882	35W HCl	28	2380	85	4000	80000	50000	25
TR SP COMPACT D100 28 W 940 FL WT	■	4058075335905	35W HCl	28	2300	80	4000	80000	50000	36
TR SP COMPACT D100 28 W 930 NFL BK	■	4058075335929	35W HCl	28	2280	80	3000	80000	50000	25
TR SP COMPACT D100 28 W 930 FL BK	■	4058075335943	35W HCl	28	2200	80	3000	80000	50000	36
TR SP COMPACT D100 28 W 940 NFL BK	■	4058075335967	35W HCl	28	2380	85	4000	80000	50000	25
TR SP COMPACT D100 28 W 940 FL BK	■	4058075335981	35W HCl	28	2300	80	4000	80000	50000	36
TR SP COMPACT D100 28 W 930 NFL GY	■	4058075336001	35W HCl	28	2280	80	3000	80000	50000	25
TR SP COMPACT D100 28 W 930 FL GY	■	4058075336025	35W HCl	28	2200	80	3000	80000	50000	36
TR SP COMPACT D100 28 W 940 NFL GY	■	4058075336049	35W HCl	28	2380	85	4000	80000	50000	25
TR SP COMPACT D100 28 W 940 FL GY	■	4058075336063	35W HCl	28	2300	80	4000	80000	50000	36



Product name	CRI	FLICKER VALUE	g	L x W x H [mm]	Ø x H [mm]	Light No.
TR SP COMPACT D100 28 W 930 NFL WT	90	<5 %	400	260x33x160		1
TR SP COMPACT D100 28 W 930 FL WT	90	<5 %	400	260x33x160		1
TR SP COMPACT D100 28 W 940 NFL WT	90	<5 %	400	260x33x160		1
TR SP COMPACT D100 28 W 940 FL WT	90	<5 %	400	260x33x160		1
TR SP COMPACT D100 28 W 930 NFL BK	90	<5 %	400	260x33x160		2
TR SP COMPACT D100 28 W 930 FL BK	90	<5 %	400	260x33x160		2
TR SP COMPACT D100 28 W 940 NFL BK	90	<5 %	400	260x33x160		2
TR SP COMPACT D100 28 W 940 FL BK	90	<5 %	400	260x33x160		2
TR SP COMPACT D100 28 W 930 NFL GY	90	<5 %	400	260x33x160		3
TR SP COMPACT D100 28 W 930 FL GY	90	<5 %	400	260x33x160		3
TR SP COMPACT D100 28 W 940 NFL GY	90	<5 %	400	260x33x160		3
TR SP COMPACT D100 28 W 940 FL GY	90	<5 %	400	260x33x160		3

¹ t [h]: L70/B50 @ 25 °C (Ta) / t [h]: L80/B10 @ 25 °C (Ta)

TRACKLIGHT SPOT ZOOM DIM

Dimmable 3-phase tracklight spot with mechanical zoom lens



PRODUCT FEATURES

- Robust die-cast aluminum housing
- Available in matt white (like RAL9016), matt black (like RAL9004)
- Very good color rendering index CRI97 and CRI>90
- Dimmable (7% - 100%) via slider potentiometer directly on each luminaire
- Mechanical zoom lens with a beam angle of 15 ° to 55 °

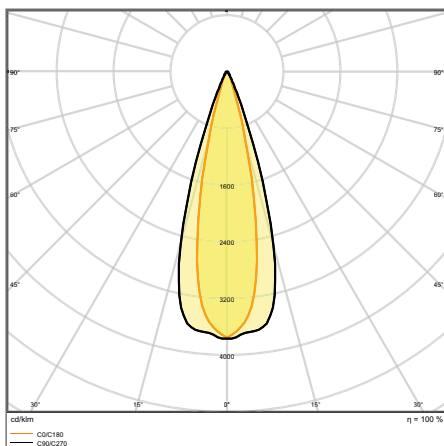
PRODUCT BENEFITS

- Dimmable 3-phase track-mounted spotlight with mechanical zoom optics integrated in the housing
- Included 3-phase adapter compatible with common tracks (GLOBAL, POWERGEAR, EUTRAC, STAFF, NORLUX, NUCO, NORDIC)
- High-quality spotlight thanks to excellent color rendering
- Low-flicker light
- 5 years guarantee

AREAS OF APPLICATION

- Direct replacement for luminaires using HID lamps
- Accent lighting
- Galleries, museums
- Fashion shops, accessories shops
- Shops, changing rooms, shop windows

FURTHER PRODUCT DETAILS



TR SP ZOOM DIM D85 25 W 3000 K 97R WT

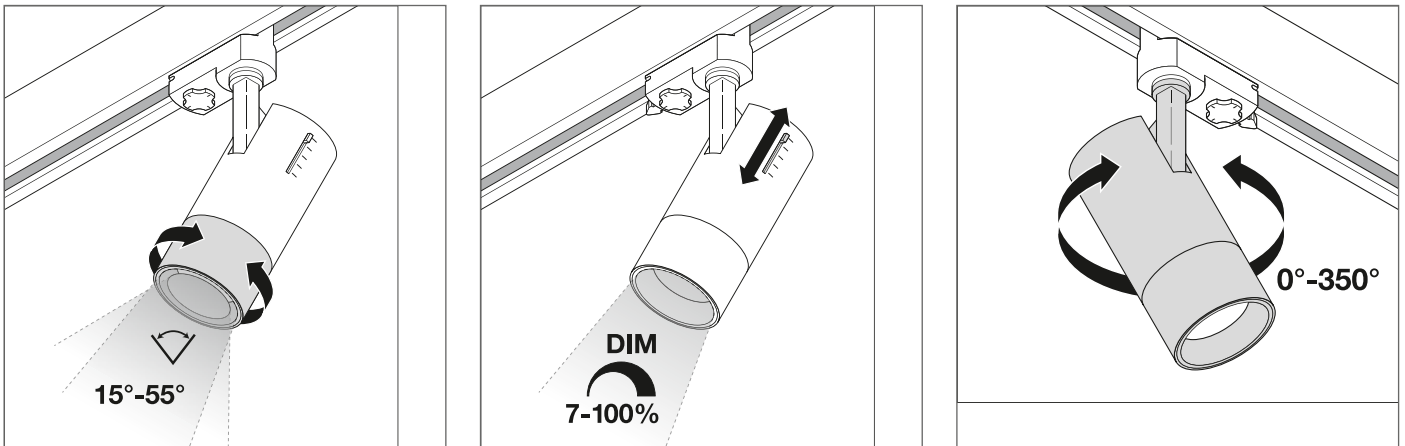
Distance [m]	Beam diameter [m]	Beam angle [°]	Beam angle [°]	Beam diameter [m]	Illuminance [lx]
0.5	0.28 0.20	E(0°) E(C90)	15.7° 11.5°	25949 11889	12309
1.0	0.56 0.41	E(0°) E(C90)	15.7° 11.5°	6487 2607	3077
1.5	0.84 0.61	E(0°) E(C90)	15.7° 11.5°	2883 1332	1368
2.0	1.12 0.81	E(0°) E(C90)	15.7° 11.5°	1622 749	789
2.5	1.41 1.02	E(0°) E(C90)	15.7° 11.5°	1038 480	492
3.0	1.69 1.22	E(0°) E(C90)	15.7° 11.5°	721 333	342

TR SP ZOOM DIM D85 25 W 4000 K DIM 25DEG

¹ Refer to www.ledvance.com/guarantee for precise conditions

The pictures shown in the catalog are for illustration purposes only. For information on size and color, please refer to the product table.

FURTHER PRODUCT DETAILS



Product name	Segmentation	GTIN (EAN)	RE-PLACEMENT FOR	W	lm	lm/W	K	L70	L80	°
TR SP ZOOM DIM D85 25 W 3000 K 97R WT	■	4058075335769	50W HCl	25	1500	60	3000	50000	35000	15.00 ... 55.00
TR SP ZOOM DIM D85 25 W 4000 K 97R WT	■	4058075335783	50W HCl	25	1500	60	4000	50000	35000	15.00 ... 55.00
TR SP ZOOM DIM D85 25 W 3000 K 97R BK	■	4058075335806	50W HCl	25	1500	60	3000	50000	35000	15.00 ... 55.00
TR SP ZOOM DIM D85 25 W 4000 K 97R BK	■	4058075335820	50W HCl	25	1500	60	4000	50000	35000	15.00 ... 55.00



Product name	CRI	g	L x W x H [mm]	Ø x H [mm]	No.
TR SP ZOOM DIM D85 25 W 3000 K 97R WT	97	1025	85 x 265		2
TR SP ZOOM DIM D85 25 W 4000 K 97R WT	97	1025	85 x 265		2
TR SP ZOOM DIM D85 25 W 3000 K 97R BK	97	1025	85 x 265		3
TR SP ZOOM DIM D85 25 W 4000 K 97R BK	97	1025	85 x 265		3

¹ t [h]: L70/B50 @ 25 °C (Ta) / t [h]: L80/B10 @ 25 °C (Ta)

TRACKLIGHT SPOT

3-phase tracklight spot with integrated control gear



PRODUCT FEATURES

- Robust die-cast aluminum housing
- Available in matt white (like RAL9016), matt black (like RAL9004) and concrete grey (like RAL7042)
- Very good color rendering index Ra: 90
- Rotation angle: 350°, tilt angle: 90°
- Equipped with reflectors with 24° beam angle

PRODUCT BENEFITS

- Deep reflector and black antiglare ring for minimized glare ($UGR \leq 16$)
- Accessory reflectors with 15° or 38° beam angle available
- Reflector easily replaceable thanks to bayonet catch and rubber suction pad
- Included 3-phase adapter compatible with common tracks (GLOBAL, POWERGEAR, EUTRAC, STAFF, NORLUX, NUCO, NORDIC)
- Low-flicker light

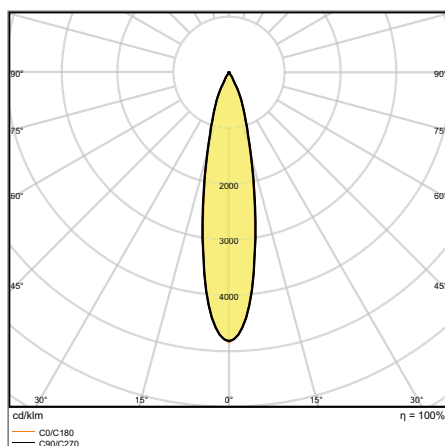
AREAS OF APPLICATION

- Direct replacement for luminaires using HID lamps
- Accent lighting
- Fashion shops, accessories shops
- Retail
- Hotels, restaurants, shops

EQUIPMENT / ACCESSORIES

- Accessory reflectors with 15° or 38° beam angle available*

FURTHER PRODUCT DETAILS



TRACK SP D95 55 W 4000 K 90RA NFL GY

Distance [m]	Cone diameter [m]	E(0°)	E(C90)	E(C0)	Illuminance [lx]
0.5	0.19 0.19	81247	11.0° 38656	10.9° 38871	
1.0	0.39 0.39	20312	11.0° 9664	10.9° 9718	
1.5	0.58 0.58	9027	11.0° 4295	10.9° 4319	
2.0	0.78 0.77	5078	11.0° 2416	10.9° 2429	
2.5	0.97 0.96	3250	11.0° 1546	10.9° 1555	
3.0	1.17 1.16	2257	11.0° 1074	10.9° 1080	

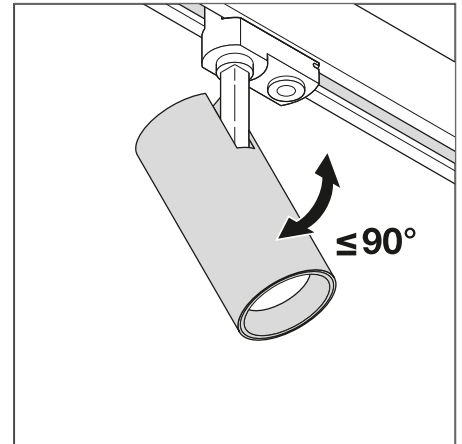
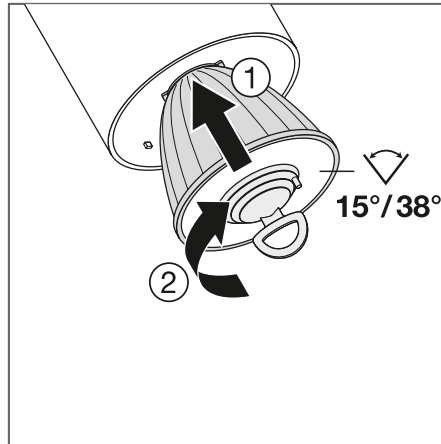
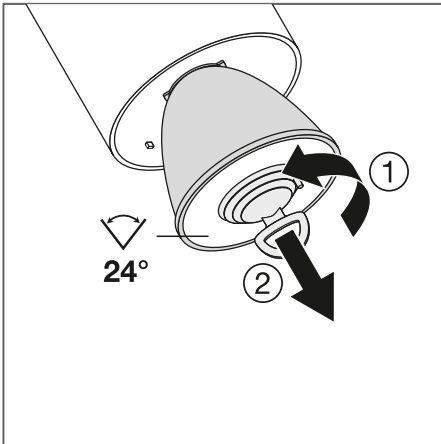
Distance [m] Cone diameter [m] Illuminance [lx]

— C0/C180 (Half beam angle [°]: 21.8°)
— C90/C270 (Half beam angle [°]: 22.0°)

TRACK SP D95 55 W 4000 K NFL

* Please note: available = available as an optional accessory.
 † Refer to www.ledvance.com/guarantee for precise conditions

The pictures shown in the catalog are for illustration purposes only. For information on size and color, please refer to the product table.

FURTHER PRODUCT DETAILS 

¹ t [h]: L70/B50 @ 25 °C (Ta) / t [h]: L80/B10 @ 25 °C (Ta)

Product name	Segmentation	GTIN (EAN)	RE-PLACE-MENT FOR	W	lm	lm/W	K	L70 ¹	L80 ¹	△
TRACK SP D75 25 W 3000 K 90RA NFL WT	■	4058075113442	35W HID	25	1750	70	3000	50000	45000	24
TRACK SP D75 25 W 4000 K 90RA NFL WT	■	4058075113466	35W HID	25	1900	75	4000	50000	45000	24
TRACK SP D75 25 W 3000 K 90RA NFL BK	■	4058075113565	35W HID	25	1750	75	3000	50000	45000	24
TRACK SP D75 25 W 4000 K 90RA NFL BK	■	4058075113589	35W HID	25	1900	80	4000	50000	45000	24
TRACK SP D75 25 W 3000 K 90RA NFL GY	■	4058075113688	35W HID	25	1750	75	3000	50000	45000	24
TRACK SP D75 25 W 4000 K 90RA NFL GY	■	4058075113701	35W HID	25	1900	75	4000	50000	45000	24
TRACK SP D85 35 W 3000 K 90RA NFL WT	■	4058075113480	50WHID	35	2660	70	3000	50000	45000	24
TRACK SP D85 35 W 4000 K 90RA NFL WT	■	4058075113503	50WHID	35	2800	75	4000	50000	45000	24
TRACK SP D85 35 W 3000 K 90RA NFL BK	■	4058075113602	50WHID	35	2660	75	3000	50000	45000	24
TRACK SP D85 35 W 4000 K 90RA NFL BK	■	4058075113626	50WHID	35	2800	80	4000	50000	45000	24
TRACK SP D85 35 W 3000 K 90RA NFL GY	■	4058075113725	50W HID	35	2660	75	3000	50000	45000	24
TRACK SP D85 35 W 4000 K 90RA NFL GY	■	4058075113749	50W HID	35	2800	75	4000	50000	45000	24
TRACK SP D95 55 W 3000 K 90RA NFL WT	■	4058075113527	70W HID	55	4000	70	3000	50000	45000	24
TRACK SP D95 55 W 4000 K 90RA NFL WT	■	4058075113541	70W HID	55	4200	75	4000	50000	45000	24
TRACK SP D95 55 W 3000 K 90RA NFL BK	■	4058075113640	70W HID	55	4000	75	3000	50000	45000	24
TRACK SP D95 55 W 4000 K 90RA NFL BK	■	4058075113664	70W HID	55	4200	80	4000	50000	45000	24
TRACK SP D95 55 W 3000 K 90RA NFL GY	■	4058075113763	70W HID	55	4000	75	3000	50000	45000	24
TRACK SP D95 55 W 4000 K 90RA NFL GY	■	4058075113787	70W HID	55	4200	75	4000	50000	45000	24



Product name	CRI	FLICKER VALUE	9	L x W x H [mm]	Ø x H [mm]	Light No.
TRACK SP D75 25 W 3000 K 90RA NFL WT	90	<10 %	770	75x255	1	1
TRACK SP D75 25 W 4000 K 90RA NFL WT	90	<10 %	770	75x255	1	1
TRACK SP D75 25 W 3000 K 90RA NFL BK	90	<10 %	770	75x255	-	-
TRACK SP D75 25 W 4000 K 90RA NFL BK	90	<10 %	770	75x255	-	-
TRACK SP D75 25 W 3000 K 90RA NFL GY	90	<10 %	770	75x255	-	-
TRACK SP D75 25 W 4000 K 90RA NFL GY	90	<10 %	770	75x255	-	-
TRACK SP D85 35 W 3000 K 90RA NFL WT	90	<10 %	1020	85x267	-	-
TRACK SP D85 35 W 4000 K 90RA NFL WT	90	<10 %	1020	85x267	-	-
TRACK SP D85 35 W 3000 K 90RA NFL BK	90	<10 %	1020	85x267	-	-
TRACK SP D85 35 W 4000 K 90RA NFL BK	90	<10 %	1020	85x267	-	-
TRACK SP D85 35 W 3000 K 90RA NFL GY	90	<10 %	1020	85x267	-	-
TRACK SP D85 35 W 4000 K 90RA NFL GY	90	<10 %	1020	85x267	-	-
TRACK SP D95 55 W 3000 K 90RA NFL WT	90	<10 %	1520	95x297	-	-
TRACK SP D95 55 W 4000 K 90RA NFL WT	90	<10 %	1520	95x297	-	-
TRACK SP D95 55 W 3000 K 90RA NFL BK	90	<10 %	1520	95x297	2	2
TRACK SP D95 55 W 4000 K 90RA NFL BK	90	<10 %	1520	95x297	2	2
TRACK SP D95 55 W 3000 K 90RA NFL GY	90	<10 %	1520	95x297	3	3
TRACK SP D95 55 W 4000 K 90RA NFL GY	90	<10 %	1520	95x297	3	3

¹ t [h]: L70/B50 @ 25 °C (Ta) / t [h]: L80/B10 @ 25 °C (Ta)



TRACKLIGHT SPOT REFLECTOR

Interchangeable reflector



- Reflector easily replaceable thanks to bayonet catch and rubber suction pad
- Clear cover protects the reflector against dust and contact
- High optical efficacy
- Housing material: polycarbonate (PC)
- Accessory reflectors available in different beam angles

Product name	GTIN (EAN)	L x W x H [mm] Ø x H [mm]	MATERIAL	COLOR				No.
TRACK SP REFLECTOR D75 SP	4058075113800	63x53	Polycarbonate (PC)	Silver	15	1	1	1
TRACK SP REFLECTOR D75 FL	4058075113824	63x53	Polycarbonate (PC)	Silver	38	1	2	2
TRACK SP REFLECTOR D85 SP	4058075113848	75x63	Polycarbonate (PC)	Silver	15	1	1	1
TRACK SP REFLECTOR D85 FL	4058075113862	75x63	Polycarbonate (PC)	Silver	38	1	2	2
TRACK SP REFLECTOR D95 SP	4058075113886	82x69	Polycarbonate (PC)	Silver	15	1	1	1
TRACK SP REFLECTOR D95 FL	4058075113909	82x69	Polycarbonate (PC)	Silver	38	1	2	2

¹ Refer to www.ledvance.com/guarantee for precise conditions

WALL AND CEILING LUMINAIRES

IDEAL FOR PUBLIC AREAS



SURFACE COMPACT IK10



Page 54

PERFOR-
MANCE
CLASS



ROBUST, POWERFUL SURFACE-MOUNTED LUMINAIRE

- Resistant to vandalism
- Transparent cover protects against dust and moisture
- High luminous efficacy

SURFACE BULKHEAD



Page 60

PERFOR-
MANCE
CLASS

- SURFACE BULKHEAD
- SURFACE BULKHEAD SENSOR
- SURFACE BULKHEAD EMERGENCY
- SURFACE BULKHEAD SENSOR EMERGENCY
- SURFACE BULKHEAD ACCESSORY RINGS



GREAT PERFORMANCE INDOORS AND OUTDOORS

- Extremely versatile through switchable, HF-sensor and 3h single-battery versions
- Suitable for use in public areas thanks to high IK rating
- Easy installation on wall and ceiling with through-wiring option

SURFACE CIRCULAR



Page 56

VALUE
CLASS

- SURFACE CIRCULAR
- SURFACE CIRCULAR SENSOR
- SURFACE CIRCULAR COVER



FOR STANDARD APPLICATIONS

- Versions with sensor: easy adjustment of the sensor range, daylight detection and illumination time
- Energy savings of up to 55% compared with luminaires that use compact fluorescent lamps
- Quick and easy installation

ROBUST VANDALISM PROTECTION AND INTELLIGENT SENSOR TECHNOLOGY



ROBUST, RUGGED AND VANDAL-PROOF

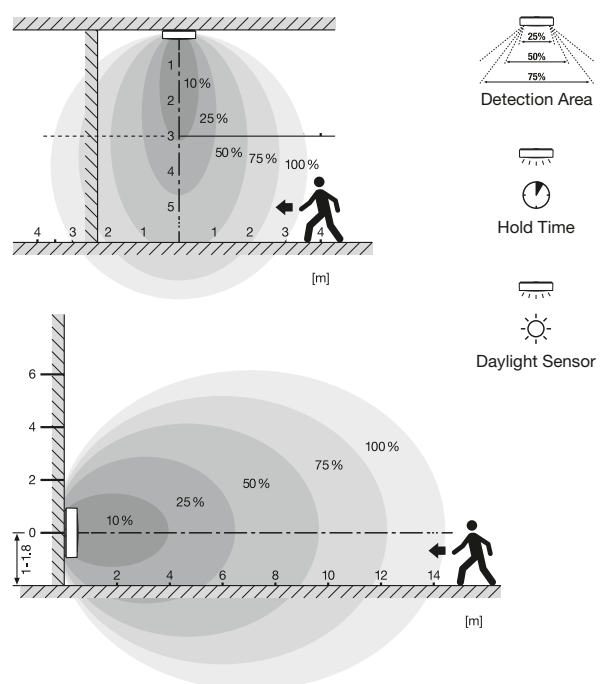
LEDVANCE SURFACE BULKHEAD and LEDVANCE SURFACE COMPACT IK10 are characterized by rugged design, an impact-resistant housing made of reinforced polycarbonate with IK10 rating, and high IP65 degree of protection. Torx screws make it harder for the luminaires to be removed with a conventional screwdriver, making them ideally protected against vandalism.



SENSORS FOR SAFETY AND EFFICIENCY

LEDVANCE SURFACE BULKHEAD and CIRCULAR luminaires are available with state-of-the-art sensor technology. The flexible adjustment options allow illumination as required. This allows for light comfort and safety to be combined with maximum efficiency:

- HF sensor technology for motion detection
- Four-step twilight switching; activation adjustable between 2 and 50 lux
- Motion sensor with wide detection range (for wall and ceiling mounting); adjustable in five steps between 10 and 100 percent
- Hold time from 5 seconds to 30 minutes



Motion sensor with many adjustment options

SURFACE COMPACT IK10

Wall and ceiling luminaire with high impact resistance



PRODUCT FEATURES

- Housing and cover made from polycarbonate
- Impact resistance: IK10
- Glow Wire Test according to IEC 60695-2-12: 850 °C
- Through-wiring possible

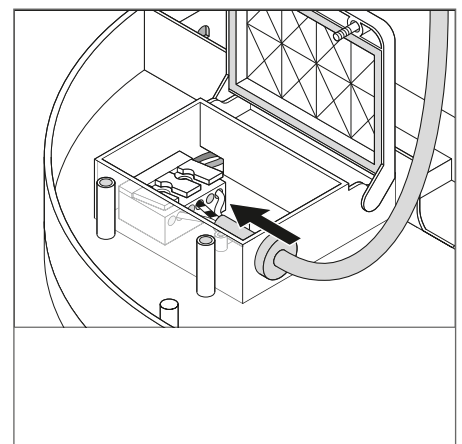
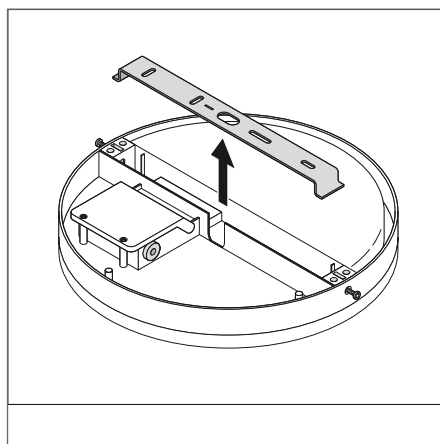
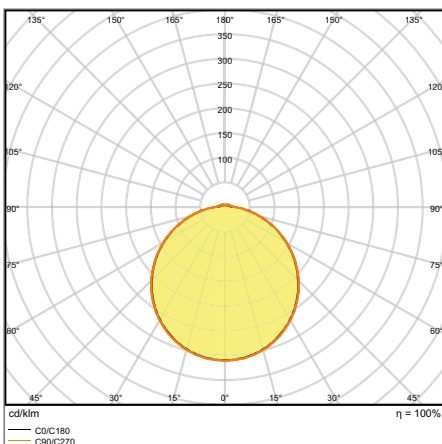
PRODUCT BENEFITS

- Resistance against vandalism
- Transparent cover protects against dust and moisture
- LED protected for safe installation
- High luminous efficacy
- 5 years guarantee

AREAS OF APPLICATION

- Corridors
- Stairways
- Bathrooms
- Foyers
- Public areas

FURTHER PRODUCT DETAILS



SF COMPACT IK10 300 24 W 4000 K
 IP65 WT

¹ Refer to www.ledvance.com/guarantee for precise conditions

The pictures shown in the catalog are for illustration purposes only. For information on size and color, please refer to the product table.



Product name	Segmentation	GTIN (EAN)	RE-PLACE-MENT-FOR	W	lm	lm/W	K	L70 ¹	L80 ¹	°
SF COMPACT IK10 300 24 W 3000 K IP65 WT	■	4058075062207	2x18W CFLP	24	1800	75	3000	50000	30000	120
SF COMPACT IK10 300 24 W 4000 K IP65 WT	■	4058075062221	2x18W CFLP	24	1920	80	4000	50000	30000	120



Product name	CRI	FLICKER VALUE	IK	L x W x H [mm] Ø x H [mm]
SF COMPACT IK10 300 24 W 3000 K IP65 WT	>80	<5 %	IK10	300x61
SF COMPACT IK10 300 24 W 4000 K IP65 WT	>80	<5 %	IK10	300x61

¹ t [h]: L70/B50 @ 25 °C (Ta) / t [h]: L80/B10 @ 25 °C (Ta)

SURFACE CIRCULAR

Wall and ceiling luminaires



PRODUCT FEATURES

- Metal housing, PMMA cover
- Versions with sensor: high-frequency sensor for daylight and motion detection
- Versions with sensor: 110° and 8 m detection range, threshold: 25 lx, 5 s/1 min/3 min/10 min min
- Ambient temperature in operation: -20...+40 °C

PRODUCT BENEFITS

- Versions with sensor: easy adjustment of the sensor range, daylight detection and illumination time
- Energy savings of up to 55 % compared to luminaires that use CFL
- Easy and quick installation

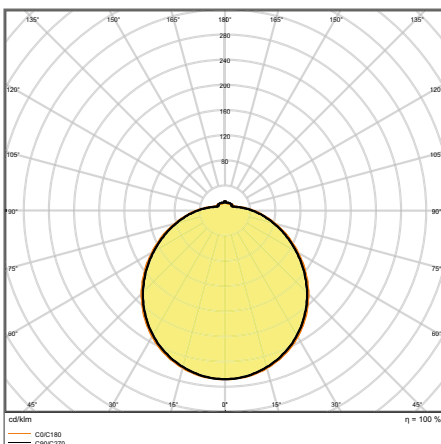
AREAS OF APPLICATION

- Corridors
- Stairways
- Bathrooms
- Foyers

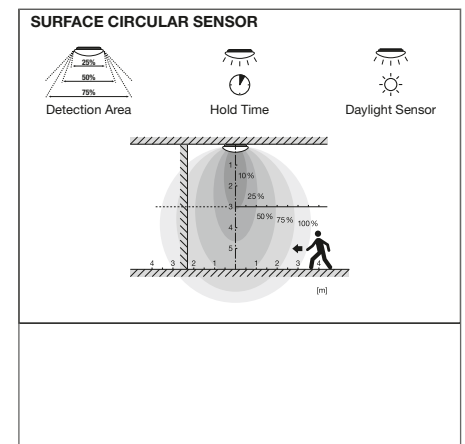
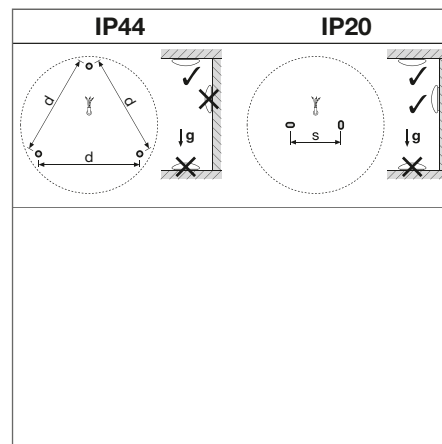
EQUIPMENT / ACCESSORIES

- Replacement cover optional available*

FURTHER PRODUCT DETAILS



SF CIRCULAR 400 S 24 W 3000 K IP44 WT



* Please note: available = available as an optional accessory.

¹ Versions with integrated sensor available | ² Refer to www.ledvance.com/guarantee for precise conditions

The pictures shown in the catalog are for illustration purposes only. For information on size and color, please refer to the product table.

SURFACE CIRCULAR

Wall and ceiling luminaires with IP44

Product name	Segmentation	GTIN (EAN)	RE-PLACEMENT FOR	W	lm	lm/W	K	L70 ¹	L80 ¹	°
SF CIRCULAR 250 13 W 3000 K IP44 WT	■	4058075110120	18W CFLP	13	920	70	3000	30000	22000	120
SF CIRCULAR 250 13 W 4000 K IP44 WT	■	4058075110144	18W CFLP	13	960	75	4000	30000	22000	120
SF CIRCULAR 350 18 W 3000 K IP44 WT	■	4058075080010	24W CFLP	18	1440	80	3000	30000	22000	120
SF CIRCULAR 350 18 W 4000 K IP44 WT	■	4058075080034	24W CFLP	18	1440	80	4000	30000	22000	120
SF CIRCULAR 400 24 W 3000 K IP44 WT	■	4058075080058	2x18W CFLP	24	1920	80	3000	30000	22000	120
SF CIRCULAR 400 24 W 4000 K IP44 WT	■	4058075080072	2x18W CFLP	24	1920	80	4000	30000	22000	120



Product name	CRI	FLICKER VALUE	L x W x H [mm] Ø x H [mm]
SF CIRCULAR 250 13 W 3000 K IP44 WT	>80	<5 %	250x91
SF CIRCULAR 250 13 W 4000 K IP44 WT	>80	<5 %	250x91
SF CIRCULAR 350 18 W 3000 K IP44 WT	>80	<5 %	350x115
SF CIRCULAR 350 18 W 4000 K IP44 WT	>80	<5 %	350x115
SF CIRCULAR 400 24 W 3000 K IP44 WT	>80	<5 %	400x120
SF CIRCULAR 400 24 W 4000 K IP44 WT	>80	<5 %	400x120

SURFACE CIRCULAR SENSOR

Wall and ceiling luminaire with IP44 and high frequency sensor

Product name	Segmentation	GTIN (EAN)	RE-PLACEMENT FOR	W	lm	lm/W	K	L70 ¹	L80 ¹	°
SF CIRCULAR 250 S 13 W 3000 K IP44 WT	■	4058075314894	18W CFLP	13	920	70	3000	30000	22000	120
SF CIRCULAR 250 S 13 W 4000 K IP44 WT	■	4058075314917	18W CFLP	13	960	75	4000	30000	22000	120
SF CIRCULAR 350 S 18 W 3000 K IP44 WT	■	4058075314931	26W CFLP	18	1440	80	3000	30000	22000	120
SF CIRCULAR 350 S 18 W 4000 K IP44 WT	■	4058075314955	26W CFLP	18	1440	80	4000	30000	22000	120
SF CIRCULAR 400 S 24 W 3000 K IP44 WT	■	4058075314979	32W CFLP	24	1920	80	3000	30000	22000	120
SF CIRCULAR 400 S 24 W 4000 K IP44 WT	■	4058075314993	32W CFLP	24	1920	80	4000	30000	22000	120



Product name	CRI	FLICKER VALUE	L x W x H [mm] Ø x H [mm]
SF CIRCULAR 250 S 13 W 3000 K IP44 WT	>80	<5 %	250x91
SF CIRCULAR 250 S 13 W 4000 K IP44 WT	>80	<5 %	250x91
SF CIRCULAR 350 S 18 W 3000 K IP44 WT	>80	<5 %	350x115
SF CIRCULAR 350 S 18 W 4000 K IP44 WT	>80	<5 %	350x115
SF CIRCULAR 400 S 24 W 3000 K IP44 WT	>80	<5 %	400x120
SF CIRCULAR 400 S 24 W 4000 K IP44 WT	>80	<5 %	400x120

SENSOR PROPERTIES

Product name	Type of sensor	Sensor technology	Detection threshold of daylight sensor	Detection range of motion sensor	Sensor detection angle	Sensor controlled switching time
SURFACE CIRCULAR 250 SENSOR	Motion/Light	Microwave	25 lx	8 m	110 °	5 s/1 min/3 min/10 min
SURFACE CIRCULAR 350 SENSOR	Motion/Light	Microwave	25 lx	8 m	110 °	5 s/1 min/3 min/10 min
SURFACE CIRCULAR 400 SENSOR	Motion/Light	Microwave	25 lx	8 m	110 °	5 s/1 min/3 min/10 min

¹ t [h]: L70/B50 @ 25 °C (Ta) / t [h]: L80/B10 @ 25 °C (Ta)



SURFACE CIRCULAR COVER

Replacement cover for Surface Circular



- Easy replacement of the cover without changing the luminaire
- Opal cover made of PMMA
- Impact resistance: IK03

AREAS OF APPLICATION

- Replacement for Surface Circular covers

Product name	GTIN (EAN)	L x W x H [mm] Ø x H [mm]	MATERIAL	COLOR	Icon 1	Icon 2
SF CIRCULAR 250 Cover	4058075156722	250 x 80	Polymethylmethacrylate (PMMA) / Polymethyl methacrylate (PMMA)	White	120	1
SF CIRCULAR 350 Cover	4058075156807	350 x 104	Polymethylmethacrylate (PMMA) / Polymethyl methacrylate (PMMA)	White	120	1
SF CIRCULAR 400 Cover	4058075156821	400 x 112	Polymethylmethacrylate (PMMA) / Polymethyl methacrylate (PMMA)	White	120	1

¹ Refer to www.ledvance.com/guarantee for precise conditions



SURFACE BULKHEAD

Robust wall and ceiling luminaire for indoor or outdoor use



PRODUCT FEATURES

- Housing and cover made of UV-resistant PC.
- Available in 2 diameters, 2 housing colors and 2 light colors
- Always order cover separately. Versions: ring or eyelid cover
- Impact resistance: IK10
- Type of protection: IP65

PRODUCT BENEFITS

- Extremely versatile through switchable, HF-sensor and 3h single-battery versions
- Suitable for use in public areas thanks to high IK rating
- Easy installation on wall and ceiling with through-wiring option
- High luminous efficacy in normal operation
- All versions with 5-year guarantee, except emergency version: 3 years (built-in 3h battery)

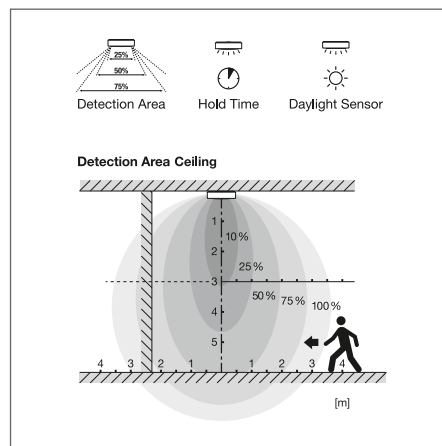
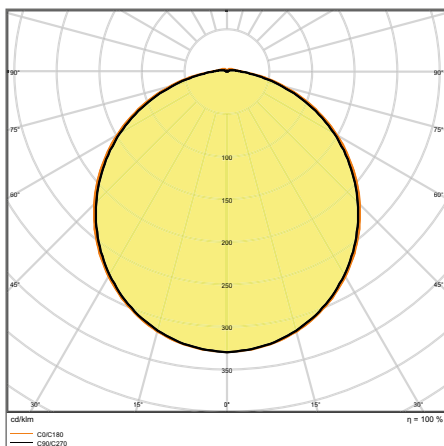
AREAS OF APPLICATION

- Direct replacement for luminaires with fluorescent lamps
- Corridors, stairways, entrance areas
- Passages, underpasses
- Public areas

EQUIPMENT / ACCESSORIES

- Additional cover rings in different designs available**
- Mounting screws and dowels included

FURTHER PRODUCT DETAILS



Luminaire Status	Control LED
Normal	Green
Emergency	OFF
Testing	Green: (1s, 1s, 1s ...)
Battery connection fault	Red: (1s, 1s, 1s ...)
Battery capacity fault	Red
Luminaire fault	Red: (4s, 4s, 4s ...)

SF BLKH 250 10W/3000K WT IP65

* All pictures show the luminaire with the accessory: SF BLKH RING. The accessory must be ordered separately.

** Please note: available = available as an optional accessory.

¹ Versions with integrated sensor available

The pictures shown in the catalog are for illustration purposes only. For information on size and color, please refer to the product table.

SURFACE BULKHEAD ON/OFF

Robust wall and ceiling luminaire with IP65 protection

Product name	Segmentation	GTIN (EAN)	RE-PLACEMENT FOR	W	lm	lm/W	K	L70 ¹	L80 ¹	°
SF BLKH 250 10W/3000K WT IP65	■	4058075374843	1x16W CFL	8	800	80	3000	50000	35000	120
SF BLKH 250 10W/4000K WT IP65	■	4058075374867	1x16W CFL	8	800	80	4000	50000	35000	120
SF BLKH 250 10W/3000K BK IP65	■	4058075374881	1x16W CFL	10	800	80	3000	50000	35000	120
SF BLKH 250 10W/4000K BK IP65	■	4058075374904	1x16W CFL	8	800	80	4000	50000	35000	120
SF BLKH 300 15W/3000K WT IP65	■	4058075375161	1x28W CFL	12	1400	93	3000	50000	35000	120
SF BLKH 300 15W/4000K WT IP65	■	4058075375185	1x28W CFL	12	1400	93	4000	50000	35000	120
SF BLKH 300 15W/3000K BK IP65	■	4058075375208	1x28W CFL	12	1400	93	3000	50000	35000	120
SF BLKH 300 15W/4000K BK IP65	■	4058075375222	1x28W CFL	12	1400	93	4000	50000	35000	120



Product name	CRI	FLICKER VALUE	IK	L x W x H [mm] Ø x H [mm]	No.
SF BLKH 250 10W/3000K WT IP65	>80	<5 %	IK10	250x70	3
SF BLKH 250 10W/4000K WT IP65	>80	<5 %	IK10	250x70	3
SF BLKH 250 10W/3000K BK IP65	>80	<5 %	IK10	250x70	1
SF BLKH 250 10W/4000K BK IP65	>80	<5 %	IK10	250x70	1
SF BLKH 300 15W/3000K WT IP65	>80	<5 %	IK10	300x70	3
SF BLKH 300 15W/4000K WT IP65	>80	<5 %	IK10	300x70	3
SF BLKH 300 15W/3000K BK IP65	>80	<5 %	IK10	300x70	1
SF BLKH 300 15W/4000K BK IP65	>80	<5 %	IK10	300x70	1

SURFACE BULKHEAD SENSOR

Robust wall and ceiling luminaire with IP65 protection and high-frequency sensor

Product name	Segmentation	GTIN (EAN)	RE-PLACEMENT FOR	W	lm	lm/W	K	L70 ¹	L80 ¹	°
SF BLKH 250 S 10W/3000K WT IP65	■	4058075374928	1x16W CFL	9	800	80	3000	50000	35000	120
SF BLKH 250 S 10W/4000K WT IP65	■	4058075374942	1x16W CFL	9	800	80	4000	50000	35000	120
SF BLKH 250 S 10W/3000K BK IP65	■	4058075374966	1x16W CFL	9	800	80	3000	50000	35000	120
SF BLKH 250 S 10W/4000K BK IP65	■	4058075374980	1x16W CFL	9	800	80	4000	50000	35000	120
SF BLKH 300 S 15W/3000K WT IP65	■	4058075375246	1x28W CFL	14	1400	93	3000	50000	35000	120
SF BLKH 300 S 15W/4000K WT IP65	■	4058075375260	1x28W CFL	14	1400	93	4000	50000	35000	120
SF BLKH 300 S 15W/3000K BK IP65	■	4058075375284	1x28W CFL	14	1400	93	3000	50000	35000	120
SF BLKH 300 S 15W/4000K BK IP65	■	4058075375307	1x28W CFL	14	1400	93	4000	50000	35000	120



Product name	CRI	FLICKER VALUE	IK	L x W x H [mm] Ø x H [mm]	No.
SF BLKH 250 S 10W/3000K WT IP65	>80	<5 %	IK10	250x70	3
SF BLKH 250 S 10W/4000K WT IP65	>80	<5 %	IK10	250x70	3
SF BLKH 250 S 10W/3000K BK IP65	>80	<5 %	IK10	250x70	1
SF BLKH 250 S 10W/4000K BK IP65	>80	<5 %	IK10	250x70	1
SF BLKH 300 S 15W/3000K WT IP65	>80	<5 %	IK10	300x70	3
SF BLKH 300 S 15W/4000K WT IP65	>80	<5 %	IK10	300x70	3
SF BLKH 300 S 15W/3000K BK IP65	>80	<5 %	IK10	300x70	1
SF BLKH 300 S 15W/4000K BK IP65	>80	<5 %	IK10	300x70	1

¹ t [h]: L70/B50 @ 25 °C (Ta) / t [h]: L80/B10 @ 25 °C (Ta)

SURFACE BULKHEAD EMERGENCY

Robust wall and ceiling luminaire with IP65 protection and integrated emergency lighting function

Product name	Segmentation	GTIN (EAN)	RE-PLACEMENT FOR	W	lm	lm/W	K	L70 ¹	L80 ¹	⏻
SF BLKH 250 EM 10 W 3000 K WT IP65	■	4058075375000	1x16W CFL	10	800	80	3000	50000	35000	120
SF BLKH 250 EM 10 W 4000 K WT IP65	■	4058075375024	1x16W CFL	10	800	80	4000	50000	35000	120
SF BLKH 250 EM 10 W 3000 K BK IP65	■	4058075375048	1x16W CFL	10	800	80	3000	50000	35000	120
SF BLKH 250 EM 10 W 4000 K BK IP65	■	4058075375062	1x16W CFL	10	800	80	4000	50000	35000	120
SF BLKH 300 EM 15 W 3000 K WT IP65	■	4058075375321	1x28W CFL	15	1400	93	3000	50000	35000	120
SF BLKH 300 EM 15 W 4000 K WT IP65	■	4058075375345	1x28W CFL	15	1400	93	4000	50000	35000	120
SF BLKH 300 EM 15 W 3000 K BK IP65	■	4058075375369	1x28W CFL	15	1400	93	3000	50000	35000	120
SF BLKH 300 EM 15 W 4000 K BK IP65	■	4058075375383	1x28W CFL	15	1400	93	4000	50000	35000	120



Product name	CRI	FLICKER VALUE	IK	L x W x H [mm] Ø x H [mm]	⏻ No.
SF BLKH 250 EM 10 W 3000 K WT IP65	>80	<5 %	IK10	258x70	3
SF BLKH 250 EM 10 W 4000 K WT IP65	>80	<5 %	IK10	258x70	3
SF BLKH 250 EM 10 W 3000 K BK IP65	>80	<5 %	IK10	258x70	1
SF BLKH 250 EM 10 W 4000 K BK IP65	>80	<5 %	IK10	258x70	1
SF BLKH 300 EM 15 W 3000 K WT IP65	>80	<5 %	IK10	308x70	3
SF BLKH 300 EM 15 W 4000 K WT IP65	>80	<5 %	IK10	308x70	3
SF BLKH 300 EM 15 W 3000 K BK IP65	>80	<5 %	IK10	308x70	1
SF BLKH 300 EM 15 W 4000 K BK IP65	>80	<5 %	IK10	308x70	1

SURFACE BULKHEAD SENSOR EMERGENCY

Robust wall and ceiling luminaire with IP65 protection, high-frequency sensor and integrated emergency lighting function

Product name	Segmentation	GTIN (EAN)	RE-PLACEMENT FOR	W	lm	lm/W	K	L70 ¹	L80 ¹	⏻
SF BLKH 250 S EM 10W/3000K WT IP65	■	4058075375086	1x16W CFL	12	800	80	3000	50000	35000	120
SF BLKH 250 S EM 10W/4000K WT IP65	■	4058075375109	1x16W CFL	12	800	80	4000	50000	35000	120
SF BLKH 250 S EM 10W/3000K BK IP65	■	4058075375123	1x16W CFL	12	800	80	3000	50000	35000	120
SF BLKH 250 S EM 10W/4000K BK IP65	■	4058075375147	1x16W CFL	12	800	80	4000	50000	35000	120
SF BLKH 300 S EM 15W/3000K WT IP65	■	4058075375406	-	17	1400	93	3000	50000	35000	120
SF BLKH 300 S EM 15W/4000K WT IP65	■	4058075375420	1x28W CFL	17	1400	93	4000	50000	35000	120
SF BLKH 300 S EM 15W/3000K BK IP65	■	4058075375444	1x28W CFL	17	1400	93	3000	50000	35000	120
SF BLKH 300 S EM 15W/4000K BK IP65	■	4058075375468	1x28W CFL	17	1400	93	4000	50000	35000	120



Product name	CRI	FLICKER VALUE	IK	L x W x H [mm] Ø x H [mm]	⏻ No.
SF BLKH 250 S EM 10W/3000K WT IP65	>80	<5 %	IK10	258x70	3
SF BLKH 250 S EM 10W/4000K WT IP65	>80	<5 %	IK10	258x70	3
SF BLKH 250 S EM 10W/3000K BK IP65	>80	<5 %	IK10	258x70	1
SF BLKH 250 S EM 10W/4000K BK IP65	>80	<5 %	IK10	258x70	1
SF BLKH 300 S EM 15W/3000K WT IP65	>80	<5 %	IK10	308x70	3
SF BLKH 300 S EM 15W/4000K WT IP65	>80	<5 %	IK10	308x70	3
SF BLKH 300 S EM 15W/3000K BK IP65	>80	<5 %	IK10	308x70	1
SF BLKH 300 S EM 15W/4000K BK IP65	>80	<5 %	IK10	308x70	1

¹ t [h]: L70/B50 @ 25 °C (Ta) / t [h]: L80/B10 @ 25 °C (Ta)

SENSOR PROPERTIES

Product name	Type of sensor	Sensor technology	Detection threshold of daylight sensor	Detection range of motion sensor	Sensor detection angle	Sensor controlled switching time
SURFACE BULKHEAD 250 SENSOR	Motion/Light	Microwave	25 lx	8 m	110 °	5 s/30 s/90 s/3 min/20 min/30 min
SURFACE BULKHEAD 300 SENSOR	Motion/Light	Microwave	25 lx	8 m	110 °	5 s/30 s/90 s/3 min/20 min/30 min
SURFACE BULKHEAD 250 SENSOR EMERGENCY	Motion/Light	Microwave	25 lx	8 m	110 °	5 s/30 s/90 s/3 min/20 min/30 min
SURFACE BULKHEAD 300 SENSOR EMERGENCY	Motion/Light	Microwave	25 lx	8 m	110 °	5 s/30 s/90 s/3 min/20 min/30 min

EMERGENCY LIGHTING PROPERTIES

Product name	Battery life in emergency operation mode	Type of emergency operation test	Type of emergency light operation	Luminous flux in emergency operation mode	Type of Battery
SF BLKH 250 EM 10 W 3000 K WT IP65	3 h	Automatic	Maintained/Non-maintained	300 lm	LiFeP04
SF BLKH 250 EM 10 W 4000 K WT IP65	3 h	Automatic	Maintained/Non-maintained	300 lm	LiFeP04
SF BLKH 250 EM 10 W 3000 K BK IP65	3 h	Automatic	Maintained/Non-maintained	300 lm	LiFeP04
SF BLKH 250 EM 10 W 4000 K BK IP65	3 h	Automatic	Maintained/Non-maintained	300 lm	LiFeP04
SF BLKH 300 EM 15 W 3000 K WT IP65	3 h	Automatic	Maintained/Non-maintained	300 lm	LiFeP04
SF BLKH 300 EM 15 W 4000 K WT IP65	3 h	Automatic	Maintained/Non-maintained	300 lm	LiFeP04
SF BLKH 300 EM 15 W 3000 K BK IP65	3 h	Automatic	Maintained/Non-maintained	300 lm	LiFeP04
SF BLKH 300 EM 15 W 4000 K BK IP65	3 h	Automatic	Maintained/Non-maintained	300 lm	LiFeP04
SF BLKH 250 S EM 10W/3000K WT IP65	3 h	Automatic	Maintained/Non-maintained	300 lm	LiFeP04
SF BLKH 250 S EM 10W/4000K WT IP65	3 h	Automatic	Maintained/Non-maintained	300 lm	LiFeP04
SF BLKH 250 S EM 10W/3000K BK IP65	3 h	Automatic	Maintained/Non-maintained	300 lm	LiFeP04
SF BLKH 250 S EM 10W/4000K BK IP65	3 h	Automatic	Maintained/Non-maintained	300 lm	LiFeP04
SF BLKH 300 S EM 15W/3000K WT IP65	3 h	Automatic	Maintained/Non-maintained	300 lm	LiFeP04
SF BLKH 300 S EM 15W/4000K WT IP65	3 h	Automatic	Maintained/Non-maintained	300 lm	LiFeP04
SF BLKH 300 S EM 15W/3000K BK IP65	3 h	Automatic	Maintained/Non-maintained	300 lm	LiFeP04
SF BLKH 300 S EM 15W/4000K BK IP65	3 h	Automatic	Maintained/Non-maintained	300 lm	LiFeP04



SURFACE BULKHEAD ACCESSORIES

Recommended equipment for Surface Bulkhead



- Wide range of applications thanks to a large variety of versions
- PC cover in white or black
- As a ring or with eyelid cover
- Anti-theft screw (Torx) included

EQUIPMENT / ACCESSORIES

- Anti-theft screw included

SURFACE BULKHEAD RING

Attachable cover ring (IK10)

Product name	GTIN (EAN)	L x W x H [mm] Ø x H [mm]	MATERIAL	COLOR		No.
SF BLKH RING 250 WT	4058075399334	258 x 57	Polycarbonate (PC)	White	1	1
SF BLKH RING 250 BK	4058075399358	258 x 57	Polycarbonate (PC)	Black	1	2
SF BLKH RING 300 WT	4058075399372	308 x 57	Polycarbonate (PC)	White	1	1
SF BLKH RING 300 BK	4058075399396	308 x 57	Polycarbonate (PC)	Black	1	2

SURFACE BULKHEAD EYELID

Attachable half-visor ring (IK10)

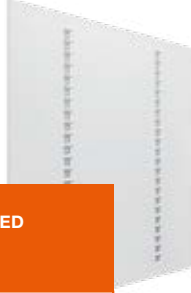
Product name	GTIN (EAN)	L x W x H [mm] Ø x H [mm]	MATERIAL	COLOR		No.
SF BLKH EYELID 250 WT	4058075375482	258 x 64	Polycarbonate (PC) / Polycarbonate (PC)	White	1	3
SF BLKH EYELID 250 BK	4058075375505	258 x 64	Polycarbonate (PC) / Polycarbonate (PC)	Black	1	4
SF BLKH EYELID 300 WT	4058075375529	308 x 65	Polycarbonate (PC) / Polycarbonate (PC)	White	1	3
SF BLKH EYELID 300 BK	4058075375543	308 x 65	Polycarbonate (PC) / Polycarbonate (PC)	Black	1	4

¹ Refer to www.ledvance.com/guarantee for precise conditions




PANEL LUMINAIRES


SUITABLE FOR EVERY NEED: OUR FUNCTIONAL PANELS



PERFORMANCE CLASS

1. PANEL INDIVILED
Page 68

The panel luminaire for perfectionists: perfect lighting and SCALE design 



PERFORMANCE CLASS

2. PANEL IP54
Page 70

The tough panel luminaire: IP54 and resistant PMMA surface 



PERFORMANCE CLASS

3. PANEL PERFORMANCE
Page 72

The panel luminaire for everyday applications and convenient installation 

THE MOST IMPORTANT SPECIFICATIONS AT A GLANCE

	Product family	Specifications	Guarantee ¹	Installation accessories included	Available versions	Grid size
1	PANEL INDIVILED	Up to 120 lm/W 60,000 h (L80/B10 @25 °C) SDCM 3 UGR < 16 IP40/IK08	5 years	External driver with Fast Connector 4 x safety and suspension brackets Safety cable	ON/OFF DALI Emergency	600 x 600 625 x 625
2	PANEL IP54	120 lm/W 60,000 h (L80/B10 @25 °C) SDCM 3 UGR < 22 IP54	5 years	External driver 4 x safety and suspension brackets Safety cable	ON/OFF DALI	600 x 600 625 x 625
3	PANEL PERFORMANCE	NEW: Up to 120 lm/W Up to 60,000 h (L80/B10 @25 °C) NEW: SDCM 3 UGR < 22/UGR < 19 NEW: IP40	5 years	External driver with Fast Connector NEW: 3- or 5-pole connector box for toolless installation and through-wiring (except TP(A) version) NEW: 4 x security & suspension brackets included NEW: Security wire (all Panel PFM 600 and 1200, except TP(A) versions)	ON/OFF NEW: IoT-ready DALI (dimmable) Emergency (with EM CONV BOX)	600 x 600 625 x 625 1,200 x 300

¹ For precise terms and conditions go to www.ledvance.com/guarantee



VALUE CLASS



4. PANEL VALUE
Page 76

The value model for cost-effective applications



5. PANEL ACCESSORIES
Page 78

Versatile mounting options



THE MOST IMPORTANT SPECIFICATIONS AT A GLANCE

Product family	Specifications	Guarantee ¹	Installation accessories included	Available versions	Grid size
4 PANEL VALUE	Up to 100 lm/W 50,000 h (L70/B50 @ 25 °C) SDCM 5 UGR < 22/UGR < 19 IP40	3 years	External driver with Fast Connector 2 x safety brackets	ON/OFF DALI Emergency (with EM CONV BOX)	600 x 600 625 x 625 1,200 x 600

¹ For precise terms and conditions go to www.ledvance.com/guarantee

PANEL INDIVILED®

Recessed luminaires with IndiviLED optics®



PRODUCT FEATURES

- Metal housing, lenses and reflectors made of polycarbonate (PC)
- Each LED with individual lens and reflector for $UGR \leq 16$ and homogenous light distribution
- Lifetime (L80/B10): up to 60,000 h (at 25 °C)
- Initial color consistency: 3 SDCM
- Accessories available for various recessed and surface-mounted options

PRODUCT BENEFITS

- Homogenous light distribution and reduced glare thanks to the IndiviLED® optics
- Low-flicker light
- Robust structure with IK08
- Versions available with on/off, IoT-ready DALI-2.0 or emergency lighting function acc. to IEC 60598-2-22
- 5 years guarantee

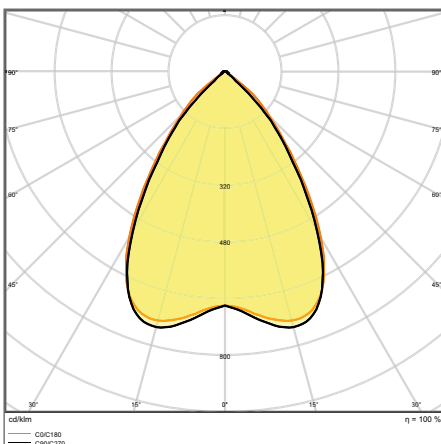
AREAS OF APPLICATION

- Direct replacement for luminaires with fluorescent lamps
- Corridors
- Offices
- Conference rooms
- Reception areas

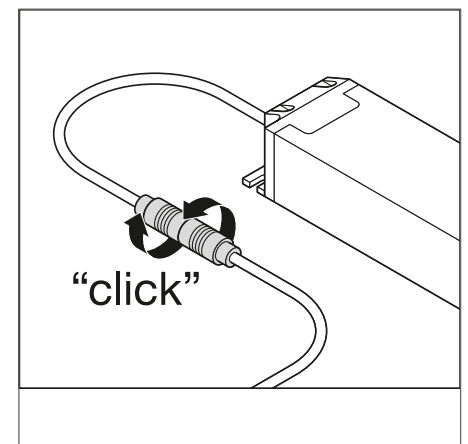
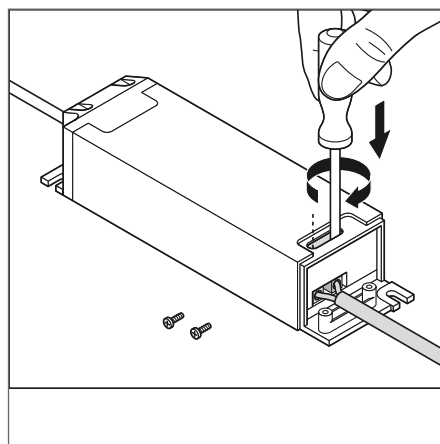
EQUIPMENT / ACCESSORIES

- Accessories for several mounting options available*
- Security rope for luminaire included
- External control gear included

FURTHER PRODUCT DETAILS



PANEL INDV EM 600 33 W 4000 K



* Please note: available = available as an optional accessory.

¹ The ENEC and TÜV certifications apply exclusively to the switchable versions of the luminaire family, DALI versions and versions for emergency lighting are excepted. |

² A 5-year guarantee applies to standard and DALI types; a 3-year guarantee for emergency versions.

The pictures shown in the catalog are for illustration purposes only. For information on size and color, please refer to the product table.

PANEL INDIVILED®

Square, recessed luminaires with IndiviLED® optics

Product name	Segmentation	GTIN (EAN)	RE-PLACE-MENT FOR	W	lm	lm/W	K	L70 ¹	L80 ¹	°
PANEL INDV 600 33 W 3000 K	■	4058075201132	4x18W/4x14W FL	33	3800	115	3000	80000	60000	70
PANEL INDV 600 33 W 4000 K	■	4058075201156	4x18W/4x14W FL	33	4000	120	4000	80000	60000	70
PANEL INDV 625 33 W 4000 K	■	4058075201194	4x18W/4x14W FL	33	4000	120	4000	80000	60000	70
NEW PANEL INDV 600 33 W 3000K DALI	■	4058075503885	4x18W/4x14W FL	33	3800	115	3000	80000	60000	70
NEW PANEL INDV 600 33 W 4000K DALI	■	4058075503861	4x18W/4x14W FL	33	3800	115	4000	80000	60000	70
NEW PANEL INDV 625 33 W 4000K DALI	■	4058075503922	4x18W/4x14W FL	33	3800	115	4000	80000	60000	70



Product name	CRI	UGR	FLICKER VALUE	IK	g	L x W x H [mm]	Ø x H [mm]
PANEL INDV 600 33 W 3000 K	≥80	<16	-	IK08	3500	595 x 595 x 13	
PANEL INDV 600 33 W 4000 K	≥80	<16	-	IK08	3500	595 x 595 x 13	
PANEL INDV 625 33 W 4000 K	≥80	<16	-	IK08	3600	620 x 620 x 13	
NEW PANEL INDV 600 33 W 3000K DALI	≥80	<16	<5 %	IK08	3500	595 x 595 x 13	
NEW PANEL INDV 600 33 W 4000K DALI	≥80	<16	<5 %	IK08	3500	595 x 595 x 13	
NEW PANEL INDV 625 33 W 4000K DALI	≥80	<16	<5 %	IK08	3600	620 x 620 x 13	

PANEL INDIVILED® EMERGENCY

Square recessed luminaire with IndiviLED® optics, self-contained emergency luminaire

Product name	Segmentation	GTIN (EAN)	RE-PLACE-MENT FOR	W	lm	lm/W	K	L70 ¹	L80 ¹	°
PANEL INDV EM 600 33 W 3000 K	■	4058075201293	4x18W/4x14W FL	33	3800	115	3000	80000	60000	70
PANEL INDV EM 600 33 W 4000 K	■	4058075201316	4x18W/4x14W FL	33	4000	120	4000	80000	60000	70
PANEL INDV EM 625 33 W 4000 K	■	4058075201354	4x18W/4x14W FL	33	4000	120	4000	80000	60000	70



Product name	CRI	UGR	IK	g	L x W x H [mm]	Ø x H [mm]
PANEL INDV EM 600 33 W 3000 K	≥80	<16	IK08	3700	595 x 595 x 13	
PANEL INDV EM 600 33 W 4000 K	≥80	<16	IK08	3700	595 x 595 x 13	
PANEL INDV EM 625 33 W 4000 K	≥80	<16	IK08	3800	620 x 620 x 13	

EMERGENCY LIGHTING PROPERTIES

Product name	Battery life in emergency operation mode	Type of emergency operation test	Type of emergency light operation	Luminous flux in emergency operation mode	Type of Battery
PANEL INDV EM 600 33 W 3000 K	3 h	Automatic	Maintained/Non-maintained	450 lm	LiFePO4
PANEL INDV EM 600 33 W 4000 K	3 h	Automatic	Maintained/Non-maintained	480 lm	LiFePO4
PANEL INDV EM 625 33 W 4000 K	3 h	Automatic	Maintained/Non-maintained	480 lm	LiFePO4

¹ t [h]: L70/B50 @ 25 °C (Ta) / t [h]: L80/B10 @ 25 °C (Ta)

PANEL IP54

Recessed panel luminaires with IP54 protection



PRODUCT FEATURES

- Aluminum housing, PMMA diffuser
- Lifetime (L80/B10): up to 60,000 h (at 25 °C)
- Initial color consistency: 3 SDCM
- Type of protection: IP54 (room side)
- Accessories available for various recessed and surface-mounted options

PRODUCT BENEFITS

- Suitable for use in dusty and damp locations thanks to high IP rating
- Low-flicker light
- Energy savings of up to 50 % (compared to luminaires that use fluorescent lamps)
- 5 years guarantee

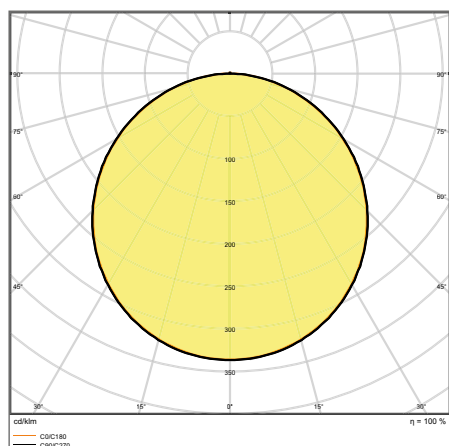
AREAS OF APPLICATION

- Direct replacement for luminaires with fluorescent lamps
- Hospitals
- Laboratories
- Suitable for recessed ceiling systems with grid size of 600 x 600 mm
- Kitchens, workspaces

EQUIPMENT / ACCESSORIES

- Accessories for several mounting options available*
- External control gear included

FURTHER PRODUCT DETAILS



PANEL 600 IP54 36 W 3000 K OP WT

* Please note: available = available as an optional accessory.

¹ The ENEC and TÜV certifications apply exclusively to the switchable versions of the luminaire family, DALI versions are excepted.

² Refer to www.ledvance.com/guarantee for precise conditions

The pictures shown in the catalog are for illustration purposes only. For information on size and color, please refer to the product table.

Product name	Segmentation	GTIN (EAN)	RE- PLACE- MENT FOR	W	lm	lm/W	K	L70	L80		
PANEL 600 IP54 36 W 3000 K OP WT	■	4058075149489	4x18W/4x14W FL	36	4320	120	3000	80000	60000	120	-
PANEL 600 IP54 36 W 4000 K OP WT	■	4058075149502	4x18W/4x14W FL	36	4320	120	4000	80000	60000	120	-
PANEL 625 IP54 36 W 3000 K OP WT	■	4058075149526	4x18W/4x14W FL	36	4320	120	3000	80000	60000	120	-
PANEL 625 IP54 36 W 4000 K OP WT	■	4058075149540	4x18W/4x14W FL	36	4320	120	4000	80000	60000	120	-
PANEL 600 IP54 36 W 3000 K OP WT DALI	■	4058075217720	4x18W/4x14W FL	36	4320	120	3000	80000	60000	120	DALI
PANEL 600 IP54 36 W 4000 K OP WT DALI	■	4058075217744	4x18W/4x14W FL	36	4320	120	4000	80000	60000	120	DALI
PANEL 625 IP54 36 W 3000 K OP WT DALI	■	4058075217768	4x18W/4x14W FL	36	4320	120	3000	80000	60000	120	DALI
PANEL 625 IP54 36 W 4000 K OP WT DALI	■	4058075217782	4x18W/4x14W FL	36	4320	120	4000	80000	60000	120	DALI



Product name	CRI	FLICKER VALUE	IK		L x W x H [mm] Ø x H [mm]
PANEL 600 IP54 36 W 3000 K OP WT	>80	-	-	3200	595x595x12.6
PANEL 600 IP54 36 W 4000 K OP WT	>80	-	-	3200	595x595x12.6
PANEL 625 IP54 36 W 3000 K OP WT	>80	-	-	3200	620x620x12.6
PANEL 625 IP54 36 W 4000 K OP WT	>80	-	-	3200	620x620x12.6
PANEL 600 IP54 36 W 3000 K OP WT DALI	≥80	<2 %	IK06	3200	595x595x12.6
PANEL 600 IP54 36 W 4000 K OP WT DALI	≥80	<2 %	IK06	3200	595x595x12.6
PANEL 625 IP54 36 W 3000 K OP WT DALI	≥80	<2 %	IK06	3200	620x620x12.6
PANEL 625 IP54 36 W 4000 K OP WT DALI	≥80	<2 %	IK06	3200	620x620x12.6

¹ t [h]: L70/B50 @ 25 °C (Ta) / t [h]: L80/B10 @ 25 °C (Ta)

PANEL PERFORMANCE GEN 3

Recessed panel luminaires with high luminous efficacy up to 120 lm/W and tool-free installation



PRODUCT FEATURES

- Extruded aluminium frame, Polystyrene diffuser
- Lifetime (L80/B10): up to 60,000 h (at 25 °C)
- High luminous efficacy: up to 120 lm/W
- 3-pole terminal block, cable cross section up to 3x2.5mmsq (25 & 30W versions)
- DALI versions with DALI 2.0 IoT-ready driver, excluding UGR<19 TPA version

PRODUCT BENEFITS

- Comfortable light and high color consistency SDCM ≤ 3
- Through-wiring possible up to 2,5qmm with included connector box
- Low-flicker light thanks to special electronic control gear
- Energy savings thanks to high system efficacy of up to 120 lm/w
- 5 years guarantee

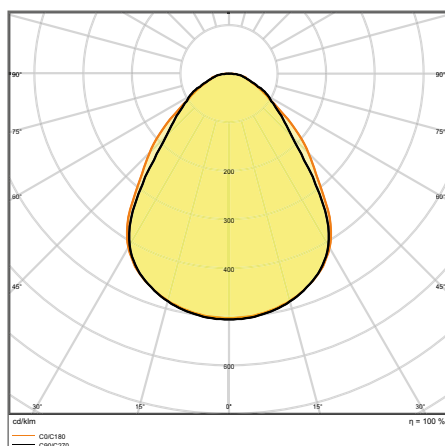
AREAS OF APPLICATION

- Direct replacement for luminaires with fluorescent lamps
- Offices, conference rooms
- Reception areas, foyers, corridors, elevators

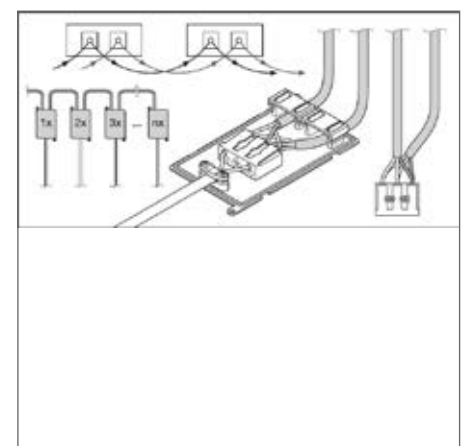
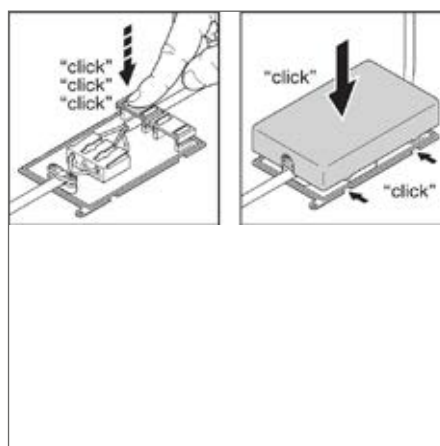
EQUIPMENT / ACCESSORIES

- Accessories for several mounting options available*
- Connector box with 3-pole or 5-pole terminal included
- Security rope for luminaire included

FURTHER PRODUCT DETAILS



PL PFM 600 UGR19 30 W 3000 K



* Please note: available = available as an optional accessory.

The pictures shown in the catalog are for illustration purposes only. For information on size and color, please refer to the product table.

PANEL PERFORMANCE GEN 3

Recessed panel luminaires with high luminous efficacy up to 120 lm/W and tool-free installation

Product name	Segmentation	GTIN (EAN)	W	Im	lm/W	K	L70 ¹	L80 ¹	△	⌋
NEW PL PFM 600 25 W 3000 K	■	4058075440159	25	3000	120	3000	100000	60000	120	-
NEW PL PFM 600 25 W 4000 K	■	4058075440197	25	3000	120	4000	100000	60000	120	-
NEW PL PFM 600 30 W 3000 K	■	4058075440234	30	3600	120	3000	100000	60000	120	-
NEW PL PFM 600 30 W 4000 K	■	4058075440258	30	3600	120	4000	100000	60000	120	-
NEW PL PFM 600 36 W 3000 K	■	4058075440319	36	4320	120	3000	100000	60000	120	-
NEW PL PFM 600 36 W 4000 K	■	4058075440333	36	4320	120	4000	100000	60000	120	-
NEW PL PFM 625 25 W 3000 K	■	4058075440494	25	3000	120	3000	100000	60000	120	-
NEW PL PFM 625 25 W 4000 K	■	4058075440517	25	3000	120	4000	100000	60000	120	-
NEW PL PFM 625 30 W 3000 K	■	4058075440531	30	3600	120	3000	100000	60000	120	-
NEW PL PFM 625 30 W 4000 K	■	4058075440555	30	3600	120	4000	100000	60000	120	-
NEW PL PFM 625 36 W 3000 K	■	4058075440678	36	4320	120	3000	100000	60000	120	-
NEW PL PFM 625 36 W 4000 K	■	4058075440692	36	4320	120	4000	100000	60000	120	-
NEW PL PFM 1200 33 W 3000 K	■	4058075440050	33	4000	120	3000	100000	60000	120	-
NEW PL PFM 1200 33 W 4000 K	■	4058075440074	33	4000	120	4000	100000	60000	120	-
NEW PL PFM 600 36W/3000K DALI	■	4058075440357	36	4320	120	3000	100000	60000	120	DALI
NEW PL PFM 600 36W/4000K DALI	■	4058075440395	36	4320	120	4000	100000	60000	120	DALI
NEW PL PFM 625 36W/3000K DALI	■	4058075440616	36	4320	120	3000	100000	60000	120	DALI
NEW PL PFM 625 36W/4000K DALI	■	4058075440654	36	4320	120	4000	100000	60000	120	DALI
NEW PL PFM 1200 33W/3000K DALI	■	4058075440135	33	4000	120	3000	100000	60000	120	DALI
NEW PL PFM 1200 33W/4000K DALI	■	4058075440173	33	4000	120	4000	100000	60000	120	DALI

Product name	CRI	FLICKER VALUE	IP	g	L x W x H [mm]	Ø x H [mm]	No.
NEW PL PFM 600 25 W 3000 K	>80	<5 %	IP40/IP20	1600	595 x 595 x 32		2
NEW PL PFM 600 25 W 4000 K	>80	<5 %	IP40/IP20	1600	595 x 595 x 32		2
NEW PL PFM 600 30 W 3000 K	>80	<5 %	IP40/IP20	1600	595 x 595 x 32		2
NEW PL PFM 600 30 W 4000 K	>80	<5 %	IP40/IP20	1600	595 x 595 x 32		2
NEW PL PFM 600 36 W 3000 K	>80	<5 %	IP40/IP20	1650	595 x 595 x 32		2
NEW PL PFM 600 36 W 4000 K	>80	<5 %	IP40/IP20	1650	595 x 595 x 32		2
NEW PL PFM 625 25 W 3000 K	>80	<5 %	IP40/IP20	1850	620 x 620 x 32		3
NEW PL PFM 625 25 W 4000 K	>80	<5 %	IP40/IP20	1850	620 x 620 x 32		3
NEW PL PFM 625 30 W 3000 K	>80	<5 %	IP40/IP20	1900	620 x 620 x 32		3
NEW PL PFM 625 30 W 4000 K	>80	<5 %	IP40/IP20	1850	620 x 620 x 32		3
NEW PL PFM 625 36 W 3000 K	>80	<5 %	IP40/IP20	1800	620 x 620 x 32		3
NEW PL PFM 625 36 W 4000 K	>80	<5 %	IP40/IP20	1800	620 x 620 x 32		3
NEW PL PFM 1200 33 W 3000 K	>80	<5 %	IP40	1600	1195 x 295 x 9		1
NEW PL PFM 1200 33 W 4000 K	>80	<5 %	IP40	1600	1195 x 295 x 9		1
NEW PL PFM 600 36W/3000K DALI	>80	<5 %	IP40/IP20	1750	595 x 595 x 32		2
NEW PL PFM 600 36W/4000K DALI	>80	<5 %	IP40/IP20	1750	595 x 595 x 32		2
NEW PL PFM 625 36W/3000K DALI	>80	<5 %	IP40/IP20	1900	620 x 620 x 32		3
NEW PL PFM 625 36W/4000K DALI	>80	<5 %	IP40/IP20	1900	620 x 620 x 32		3
NEW PL PFM 1200 33W/3000K DALI	>80	<5 %	IP40	1600	1195 x 295 x 9		1
NEW PL PFM 1200 33W/4000K DALI	>80	<5 %	IP40	1600	1195 x 295 x 9		1

¹ t [h]: L70/B50 @ 25 °C (Ta) / t [h]: L80/B10 @ 25 °C (Ta)

PANEL PERFORMANCE UGR<19

Square recessed panel luminaires with luminous efficacy up to 120 lm/Ws, low glare

Product name	Segmentation	GTIN (EAN)	W	lm	lm/W	K	L70 [†]	L80 [†]	△	⌚
NEW PL PFM 600 UGR19 30 W 3000 K	■	4058075440272	30	3600	120	3000	100000	60000	90	-
NEW PL PFM 600 UGR19 30 W 4000 K	■	4058075440296	30	3600	120	4000	100000	60000	90	-
NEW PL PFM 600 UGR19 36 W 3000 K	■	4058075440418	36	4320	120	3000	100000	60000	90	-
NEW PL PFM 600 UGR19 36 W 4000 K	■	4058075440432	36	4320	120	4000	100000	60000	90	-
NEW PL PFM 625 UGR19 30 W 3000 K	■	4058075440579	30	3600	120	3000	100000	60000	90	-
NEW PL PFM 625 UGR19 30 W 4000 K	■	4058075440593	30	3600	120	4000	100000	60000	90	-
NEW PL PFM 625 UGR19 36 W 3000 K	■	4058075440715	36	4320	120	3000	100000	60000	90	-
NEW PL PFM 625 UGR19 36 W 4000 K	■	4058075440739	36	4320	120	4000	100000	60000	90	-
NEW PL PFM UGR19 30 W 4000 K	■	4058075440111	30	3600	120	4000	100000	60000	90	-
NEW PL PFM UGR19 30 W 3000 K	■	4058075440098	30	3450	115	3000	100000	60000	90	-
NEW PL PFM 600 UGR19 36W/3000K DALI	■	4058075440456	36	4320	120	3000	100000	60000	90	DALI
NEW PL PFM 600 UGR19 36W/4000K DALI	■	4058075440470	36	4320	120	4000	100000	60000	90	DALI
NEW PL PFM 625 UGR19 36W/3000K DALI	■	4058075440753	36	4320	120	3000	100000	60000	90	DALI
NEW PL PFM 625 UGR19 36W/4000K DALI	■	4058075440777	36	4320	120	4000	100000	60000	90	DALI
NEW PL PFM UGR19 30W/3000K DALI	■	4058075440210	30	3450	115	3000	100000	60000	90	DALI
NEW PL PFM UGR19 30W/4000K DALI	■	4058075440630	30	3600	120	4000	100000	60000	90	DALI

Product name	CRI	UGR	FLICKER VALUE	IP	Ⓘ	L x W x H [mm] ∅ x H [mm]	💡 No.
NEW PL PFM 600 UGR19 30 W 3000 K	>80	<19	<5 %	IP40/IP20	1900	595 x 595 x 32	2
NEW PL PFM 600 UGR19 30 W 4000 K	>80	<19	<5 %	IP40/IP20	1900	595 x 595 x 32	2
NEW PL PFM 600 UGR19 36 W 3000 K	>80	<19	<5 %	IP40/IP20	1900	595 x 595 x 32	2
NEW PL PFM 600 UGR19 36 W 4000 K	>80	<19	<5 %	IP40/IP20	1900	595 x 595 x 32	2
NEW PL PFM 625 UGR19 30 W 3000 K	>80	<19	<5 %	IP40/IP20	2050	620 x 620 x 32	3
NEW PL PFM 625 UGR19 30 W 4000 K	>80	<19	<5 %	IP40/IP20	2050	620 x 620 x 32	3
NEW PL PFM 625 UGR19 36 W 3000 K	>80	<19	<5 %	IP40/IP20	2100	620 x 620 x 32	3
NEW PL PFM 625 UGR19 36 W 4000 K	>80	<19	<5 %	IP40/IP20	2100	620 x 620 x 32	3
NEW PL PFM UGR19 30 W 4000 K	>80	<19	<5 %	IP40	1700	1195 x 295 x 9	1
NEW PL PFM UGR19 30 W 3000 K	>80	<19	<5 %	IP40	1700	1195 x 295 x 9	1
NEW PL PFM 600 UGR19 36W/3000K DALI	>80	<19	<5 %	IP40/IP20	2000	595 x 595 x 32	2
NEW PL PFM 600 UGR19 36W/4000K DALI	>80	<19	<5 %	IP40/IP20	2000	595 x 595 x 32	2
NEW PL PFM 625 UGR19 36W/3000K DALI	>80	<19	<5 %	IP40/IP20	2200	620 x 620 x 32	3
NEW PL PFM 625 UGR19 36W/4000K DALI	>80	<19	<5 %	IP40/IP20	2200	620 x 620 x 32	3
NEW PL PFM UGR19 30W/3000K DALI	>80	<19	<5 %	IP40	1700	1195 x 295 x 9	1
NEW PL PFM UGR19 30W/4000K DALI	>80	<19	<5 %	IP40	1700	1195 x 295 x 9	1

PANEL PERFORMANCE 600 UGR<19 TPA

Square recessed panel luminaires with TP(A) rated diffuser, low glare, 600 x 600 mm

Product name	Segmentation	GTIN (EAN)	RE-PLACEMENT FOR	W	lm	lm/W	K	L70 [†]	L80 [†]	△
PANEL PFM 600 UGR < 19 TPA 36 W 4000 K WT	■	4058075384309	4x18W/4x14W FL	36	3960	110	4000	50000	50000	90
PANEL PFM 600 UGR < 19 TPA 36 W 4000 K WT DALI	■	4058075384323	4x18W/4x14W FL	36	3960	110	4000	50000	50000	90

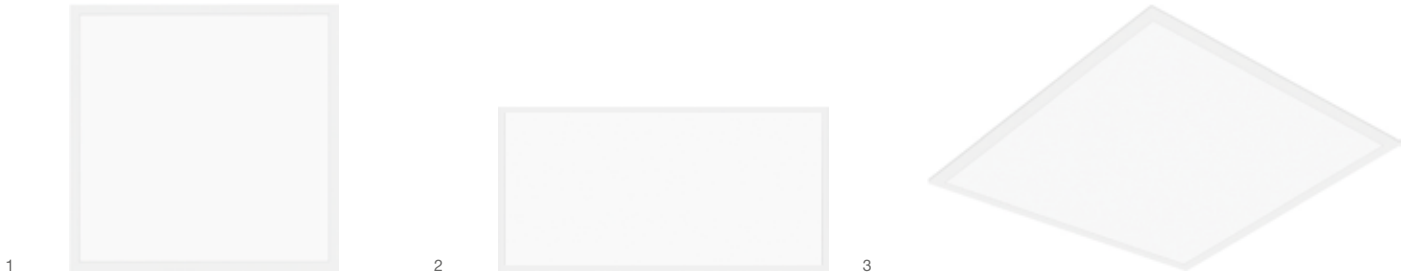
Product name	CRI	UGR	IP	Ⓘ	L x W x H [mm] ∅ x H [mm]
PANEL PFM 600 UGR < 19 TPA 36 W 4000 K WT	>80	<19	IP40	1800	595 x 595 x 34
PANEL PFM 600 UGR < 19 TPA 36 W 4000 K WT DALI	>80	<19	IP40	1800	595 x 595 x 34

[†] t [h]: L70/B50 @ 25 °C (Ta) / t [h]: L80/B10 @ 25 °C (Ta)



PANEL VALUE

Recessed panel luminaires



PRODUCT FEATURES

- Extruded aluminum frame
- Polystyrene diffuser
- Lifetime (L70/B50): 50,000 h (at 25 °C)
- Accessories available for various recessed and surface-mounted options

PRODUCT BENEFITS

- Good glare reduction (UGR<19)
- Low-flicker light
- Value for money luminaire

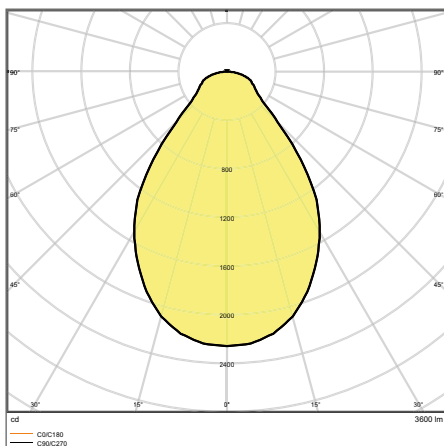
AREAS OF APPLICATION

- Direct replacement for luminaires with fluorescent lamps
- Offices, conference rooms
- Reception areas, foyers, corridors, elevators
- Suitable for recessed ceiling systems with grid size of 600 x 600 mm

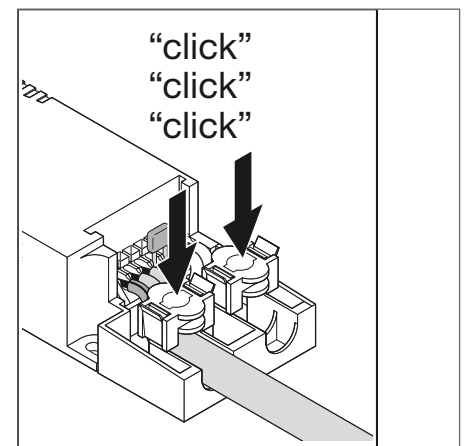
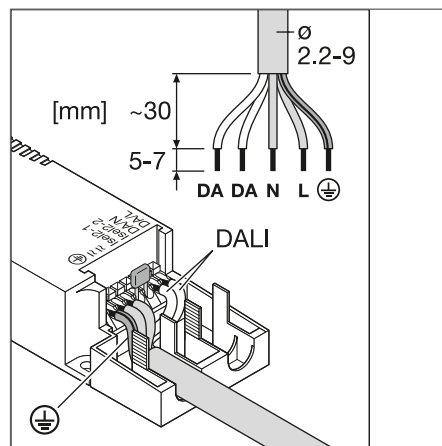
EQUIPMENT / ACCESSORIES

- Accessories for several mounting options available*
- External control gear included
- Security brackets included

FURTHER PRODUCT DETAILS



PANEL VAL 600 36 W 3000 K WT



* Please note: available = available as an optional accessory.
 † Refer to www.ledvance.com/guarantee for precise conditions

The pictures shown in the catalog are for illustration purposes only. For information on size and color, please refer to the product table.

PANEL VALUE

Recessed panel luminaires

Product name	Segmentation	GTIN (EAN)	RE-PLACEMENT FOR	W	lm	lm/W	K	L70 ¹	L80 ¹	°C
PANEL VAL 600 36 W 3000 K WT	■	4058075392366	4x18W/4x14W FL	36	3600	100	3000	50000	50000	120
PANEL VAL 600 36 W 4000 K WT	■	4058075392380	4x18W/4x14W FL	36	3600	100	4000	50000	50000	120
PANEL VAL 600 36 W 6500 K WT	■	4058075392403	4x18W/4x14W FL	36	3600	100	6500	50000	50000	120
PANEL VAL 600 36 W 3000 K WT DALI	■	4058075392441	4x18W/4x14W FL	36	3600	100	3000	50000	50000	120
PANEL VAL 600 36 W 4000 K WT DALI	■	4058075392465	4x18W/4x14W FL	36	3600	100	4000	50000	50000	120
PANEL VAL 600 36 W 6500 K WT DALI	■	4058075392489	4x18W/4x14W FL	36	3600	100	6500	50000	50000	120
PANEL VAL 600 UGR < 19 36 W 3000 K WT	■	4058075392427	4x18W/4x14W FL	36	3600	100	3000	50000	50000	90
PANEL VAL 600 UGR < 19 36 W 4000 K WT	■	4058118142200	4x18W/4x14W FL	36	3600	100	4000	50000	50000	90
PANEL VAL 625 UGR < 19 36 W 4000 K WT	■	4058075392588	4x18W/4x14W FL	36	3600	100	4000	50000	50000	90
PANEL VAL 600 UGR < 19 36 W 3000 K WT DALI	■	4058075392502	4x18W/4x14W FL	36	3600	100	3000	50000	50000	90
PANEL VAL 600 UGR < 19 36 W 4000 K WT DALI	■	4058075392526	4x18W/4x14W FL	36	3600	100	4000	50000	50000	90
PANEL VAL DALI 625 UGR < 19 36 W 4000 K WT DALI	■	4058075392601	4x18W/4x14W FL	36	3600	100	4000	50000	50000	90



Product name	CRI	UGR	FLICKER VALUE	g	L x W x H [mm]	Ø x H [mm]	No.
PANEL VAL 600 36 W 3000 K WT	>80	-	<5 %	1800	595 x 595 x 35		3
PANEL VAL 600 36 W 4000 K WT	>80	-	<5 %	1800	595 x 595 x 35		3
PANEL VAL 600 36 W 6500 K WT	>80	-	<5 %	1800	595 x 595 x 35		3
PANEL VAL 600 36 W 3000 K WT DALI	>80	-	<5 %	1800	595 x 595 x 35		3
PANEL VAL 600 36 W 4000 K WT DALI	>80	-	<5 %	1800	595 x 595 x 35		3
PANEL VAL 600 36 W 6500 K WT DALI	>80	-	<5 %	1800	595 x 595 x 35		3
PANEL VAL 600 UGR < 19 36 W 3000 K WT	>80	<19	<5 %	1800	595 x 595 x 35		3
PANEL VAL 600 UGR < 19 36 W 4000 K WT	>80	<19	<5 %	1800	595 x 595 x 35		3
PANEL VAL 625 UGR < 19 36 W 4000 K WT	>80	<19	<5 %	1900	620 x 620 x 35		3
PANEL VAL 600 UGR < 19 36 W 3000 K WT DALI	>80	<19	<5 %	1800	595 x 595 x 35		3
PANEL VAL 600 UGR < 19 36 W 4000 K WT DALI	>80	<19	<5 %	1800	595 x 595 x 35		3
PANEL VAL DALI 625 UGR < 19 36 W 4000 K WT DALI	>80	<19	<5 %	1900	620 x 620 x 35		3

PANEL VALUE

Recessed panel luminaires

Product name	Segmentation	GTIN (EAN)	RE-PLACEMENT FOR	W	lm	lm/W	K	L70 ¹	L80 ¹	°C
PANEL VAL 600 TPB 36 W 4000 K WT	■	4058075384347	4x18W/4x14W FL	36	3240	90	4000	50000	50000	120
PANEL VALUE 1200x600 TPB 65 W 4000 K WT	■	4058075384361	4x36W/4x28W FL	65	5850	90	4000	50000	50000	120



Product name	CRI	g	L x W x H [mm]	Ø x H [mm]	No.
PANEL VAL 600 TPB 36 W 4000 K WT	>80	1800	595 x 595 x 34		1
PANEL VALUE 1200x600 TPB 65 W 4000 K WT	>80	3600	1195 x 595 x 34		2

¹ t [h]: L70/B50 @ 25 °C (Ta) / t [h]: L80/B10 @ 25 °C (Ta)

COMPATIBILITY OF PANEL ACCESSORIES WITH PANEL FAMILIES¹

1. SURFACE MOUNT KIT



- Pre-assembled ready to install
- Simple fixing with magnets
- Cross brace for greater stability
- Material: aluminum

2. SURFACE MOUNT KIT VALUE



- Kit for tool-free mounting with corner clips
- Material: aluminum

3. EMERGENCY CONVERSION BOX



- Conversion of a selection of panels to safety luminaires
- Reduces warehousing complexity
- Plug-and-play system for easy installation

4. SUSPENSION KIT



- Suspension length: 1,500 mm
- Material: steel

5. PANEL SECURITY KIT 4 x



- Includes wires and brackets
- Material: steel

6. RECESSED MOUNT CLIPS



- Ceiling thickness: 10 to 20 mm
- Material: steel

7. RECESSED MOUNT FRAME



- Pre-assembled ready to install
- Seamless recessed mounting
- Ceiling thickness: 8 to 30 mm
- Material: aluminum

8. PANEL 1200 SECURITY BRACKET



- For ceiling mounting

9. CONNECTOR BOX 5-POLE



- Tool-free electrical connection due to push button connector
- Through-wiring made possible
- Suitable for cable cross section up to 5 x 2.5 mm²



COMPATIBILITIES AT A GLANCE

	Accessories	GTIN (EAN)	PANEL INDIVILED	PANEL IP54	PANEL PERFORMANCE	PANEL VALUE
1	NEW Panel 600 Surface Mount Kit H75	4058075472914		✓	✓	✓
	NEW Panel 625 Surface Mount Kit H75	4058075472938		✓	✓	✓
2	Panel 1200x300 Surface Mount Kit	4058075108820			✓	
	Panel 600 Surface Mount Kit H70 Value	4058075402843		✓	✓	✓
	Panel 625 Surface Mount Kit H70 Value	4058075402867		✓	✓	✓
	NEW Panel 1200x300 Surface Mount Kit Value	4058075472952			✓	✓
3	Panel 1200x300 Surface Mount Kit Value	4058075389823				✓
	Emergency Conversion Box AT 3H	4058075237025	✓ ²		✓ ⁵	✓ ⁵
4	Panel 1200 Suspension Kit	4058075108844			✓	
	Panel Suspension Kit	4058075402928	✓ ²	✓	✓	✓
5	NEW Panel Security Kit 4x	4058075472990			✓	✓
6	Panel Recessed Mount Clips Value 4x	4058075409859	✓	✓	✓	✓
7	Panel 600 Recessed Mount Frame	4058075402881		✓	✓	✓
	Panel 625 Recessed Mount Frame	4058075402904		✓	✓	✓
	NEW Panel 1200x300 Recessed Mount Frame	4058075472976			✓	
8	Panel 1200 Security Bracket	4058075108882			✓	
9	NEW Connector Box 5-Pole L/N	4058075473010	✓ ³	✓ ³		✓ ³
	NEW Connector Box 5-Pole L/N/PE/D+/D-	4058075473034	✓ ⁴	✓ ⁴		✓ ⁴

¹ The accessories are compatible with the Panels in the respectively matching size. For details refer to the User Instructions. | ² Not in combination with Panel IndiviLED Emergency

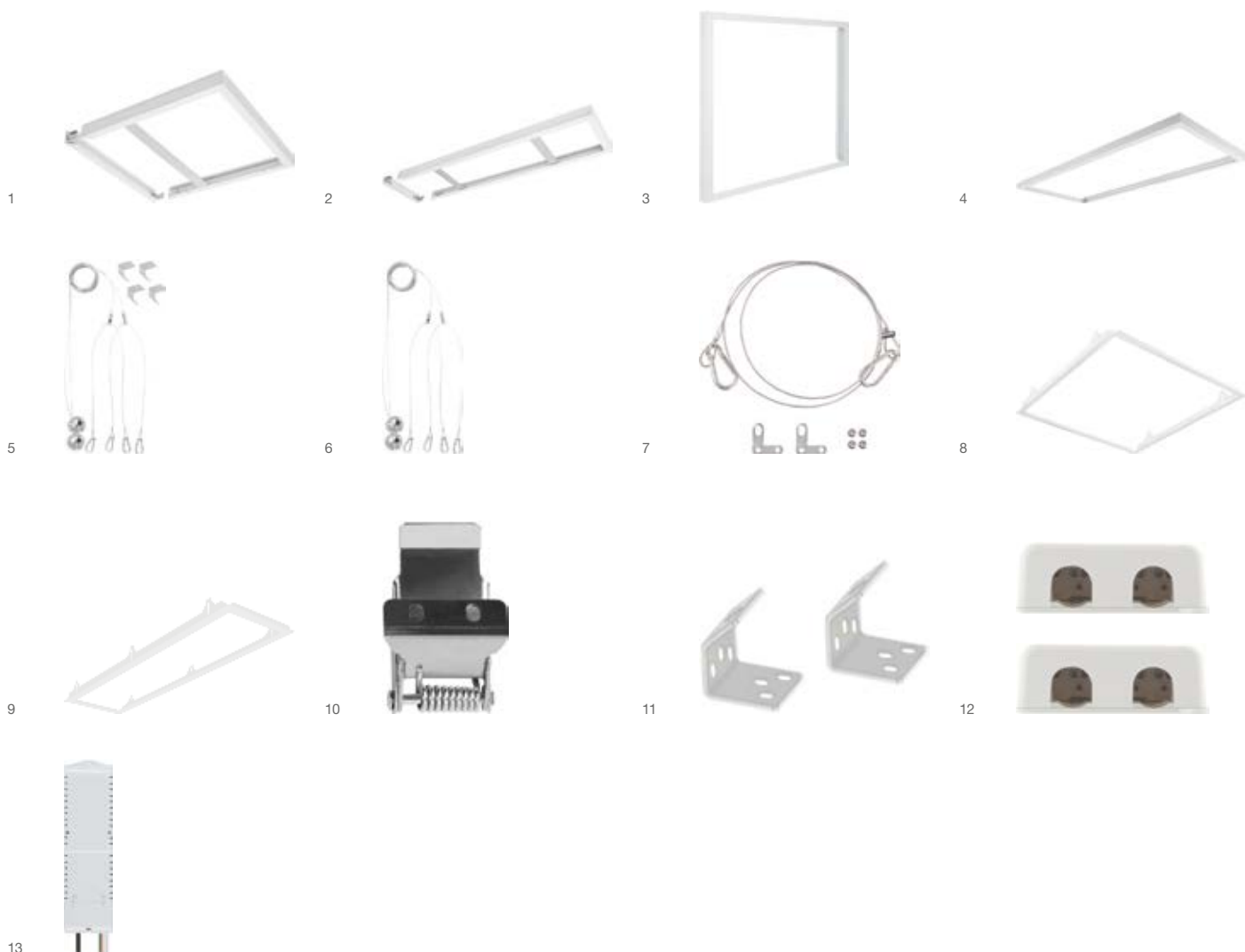
³ Only with standard versions, not for DALI or Emergency versions | ⁴ Only with DALI or Emergency versions | ⁵ Not in combination with Surface Mount Kits, Surface Mount Clips or Suspension Kit

Technical product details
for panel accessories
found on next page



PANEL ACCESSORIES



Mounting accessories for panel luminaires, combination according to the accessories matrix



- Suspension Kit: suspension length 1.5 m adjustable for various applications by screw connection
- Surface Mount Kit: sturdy, cross-stiffened aluminum frame with magnetic corners

- Surface Mount Kit Value: Aluminum frame with polycarbonate strip. With rectangular frame, panel insertion is possible from short or long frame side.
- Recessed Mount Clips Value 1x4: ceiling thickness 10 - 20 mm, plasterboard, wood and metal ceilings

- Panel 1200 Security Bracket: accessories for attaching a safety cable to the luminaire

Product name		GTIN (EAN)	L x W x H [mm] Ø x H [mm]	MATERIAL	COLOR		 No.
NEW	PANEL 600 SURFACE MOUNT KIT H75	4058075472914	601 x 601 x 75	Aluminum	White	1	1
NEW	PANEL 625 SURFACE MOUNT KIT H75	4058075472938	626 x 626 x 75	Aluminum	White	1	1
	PANEL 1200 Surface Mount Kit	4058075108820	1201 x 301 x 56	Aluminum	White	1	2
NEW	PANEL 1200x300 SURFACE MOUNT KIT VAL	4058075472952	1212 x 312 x 52	Aluminum	White	1	4
	PANEL 600 SURFACE MOUNT KIT H70 VAL	4058075402843	613 x 613 x 70	Aluminum	White	1	3
	PANEL 625 SURFACE MOUNT KIT H70 VAL	4058075402867	638 x 638 x 70	Aluminum	White	1	3
	PANEL 1200x600 SURFACE MOUNT KIT VAL	4058075389823	1213 x 613 x 72	Aluminum	White	1	4
	PANEL 1200 Suspension Kit	4058075108844	1500 x - x -	Steel	Steel	1	5
	PANEL Suspension Kit	4058075402928	30 x -	Steel	Steel	1	6
NEW	PANEL SECURITY KIT 4x	4058075472990	1000 x 17 x 4	Steel	Steel	4	7
	PANEL 600 RECESSED MOUNT FRAME	4058075402881	625 x 625 x 76	Aluminum	White	1	8
	PANEL 625 RECESSED MOUNT FRAME	4058075402904	650 x 650 x 76	Aluminum	White	1	8
NEW	PANEL 1200x300 RECESSED MOUNT FRAME	4058075472976	1224 x 324 x 76	Aluminum	White	1	9
	PANEL RECESSED MOUNT CLIPS VAL 4x	4058075409859	25 x 45 x 33	Steel	Steel	4	10
	PANEL 1200 Security Bracket	4058075108882	25 x 20 x 20	Steel	Steel	2	11
NEW	CONNECTOR BOX 5POLE L/N 4x	4058075473010	115 x 56 x 19	Polycarbonate (PC)	White	4	12
NEW	CONNECTOR BOX 5POLE L/N/PE/D+/D- 4x	4058075473034	115 x 56 x 19	Polycarbonate (PC)	White	4	12
	EM CONVERSION BOX	4058075237025	292 x 81 x 41	-	-	1	13

PENDANT AND SURFACE-MOUNTED LUMINAIRES

GOOD LIGHT FOR GOOD RESULTS

PANEL DIRECT/INDIRECT

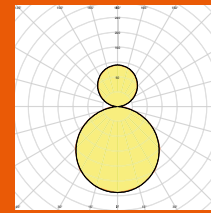
Page 84

PANEL DIRECT/INDIRECT
PANEL DIRECT/INDIRECT DALI



ADVANCED PENDANT LUMINAIRE WITH DIRECT AND INDIRECT EMISSION OF LIGHT

- Functional SCALE design luminaire for office applications (driver integrated in the ceiling rose)
- Special directional light design and PMMA diffuser for homogeneous, low-glare lighting (UGR < 19)
- Low-flicker light thanks to special electronic control gear



Light distribution curve (30%/70%)

PANEL 1200 DIRECT/INDIRECT

Exclusive and modern SCALE design pendant luminaire with very good light comfort through direct (70%) and indirect (30%) emission of light.

LINEAR INDIVILED DIRECT/INDIRECT

Page 86

LINEAR INDIVILED DIRECT/INDIRECT
LINEAR INDIVILED DIRECT/INDIRECT EMERGENCY
LINEAR INDIVILED ACCESSORIES FOR PENDANT MOUNTING AND STRIP LIGHTING



LINEAR INDIVILED PENDANT LUMINAIRE WITH DIRECT AND INDIRECT EMISSION OF LIGHT

- Luminaire in timeless SCALE design, usable as a single or lighting strip solution
- Versions available with DALI ECG or emergency lighting
- Increased light comfort with direct and indirect beam characteristic

LINEAR INDIVILED DIRECT

Page 90

LINEAR INDIVILED DIRECT
LINEAR INDIVILED DIRECT EMERGENCY
LINEAR INDIVILED ACCESSORIES FOR PENDANT MOUNTING AND STRIP LIGHTING



LINEAR INDIVILED SURFACE-MOUNTED AND PENDANT LUMINAIRE

- Luminaire in timeless SCALE design, usable as a single or lighting strip solution
- Versions available with DALI ECG (1500 25 W), IoT-ready DALI-2.0 (all other) or emergency lighting
- Direct-light, surface-mounted luminaire also usable as pendant (order accessories separately)



PANEL DIRECT/INDIRECT

Suspended edge-lit luminaires for direct and indirect light emission, low glare UGR<19



PRODUCT FEATURES

- Very slim aluminum housing
- Rectangular (1200 mm x 300 mm) stand-alone luminaires with direct (70 %) and indirect (30 %) light emission
- Steel cable suspension, length: 1.5 m
- Lifetime (L70/B50): up to 50,000 h (at 25 °C)
- DALI versions with IoT-ready DALI-2.0 driver

PRODUCT BENEFITS

- Functional SCALE design luminaire for office applications (driver integrated in the ceiling rose)
- Special directional light design and PMMA diffuser for homogeneous, low-glare lighting (UGR <19)
- Low flicker light thanks to special electronic control gear
- Comfortable light and high color consistency SDCM ≤3
- 5 years guarantee

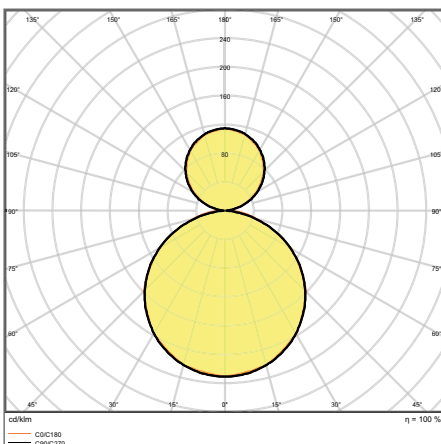
AREAS OF APPLICATION

- Efficient replacement for traditional T8 and T5 luminaires
- Offices
- Meeting rooms
- Conference rooms
- Reception areas and foyers

EQUIPMENT / ACCESSORIES

- Suspension kit included

FURTHER PRODUCT DETAILS



PANEL D/I 1200 UGR 19 36 W 4000 K

¹ Refer to www.ledvance.com/guarantee for precise conditions

The pictures shown in the catalog are for illustration purposes only. For information on size and color, please refer to the product table.

Product name	Segmentation	GTIN (EAN)	RE-PLACEMENT FOR	W	lm	lm/W	K	L70 ¹	L80 ¹	°
PANEL D/I 1200 UGR 19 36 W 3000 K	■	4058075144606	2x58W FL	36	3800	100	3000	80000	60000	110
PANEL D/I 1200 UGR 19 36 W 4000 K	■	4058075144620	2x58W FL	36	4000	110	4000	80000	60000	110
NEW PANEL D/I 1200 UGR 19 36 W 3000 K DALI	■	4058075504028	2x58W FL	36	3800	105	3000	80000	60000	110
NEW PANEL D/I 1200 UGR 19 36 W 4000 K DALI	■	4058075504042	2x58W FL	36	4000	110	4000	80000	60000	110



Product name	CRI	UGR	FLICKER VALUE	9	L x W x H [mm] Ø x H [mm]
PANEL D/I 1200 UGR 19 36 W 3000 K	≥80	-	<10 %	4325	1200 x 300 x 16
PANEL D/I 1200 UGR 19 36 W 4000 K	≥80	-	<10 %	4325	1200 x 300 x 16
NEW PANEL D/I 1200 UGR 19 36 W 3000 K DALI	≥80	<19	<5 %	3500	1200 x 300 x 16
NEW PANEL D/I 1200 UGR 19 36 W 4000 K DALI	≥80	<19	<5 %	3500	1200 x 300 x 16

¹ t [h]: L70/B50 @ 25 °C (Ta) / t [h]: L80/B10 @ 25 °C (Ta)

LINEAR INDIVILED® DIRECT/INDIRECT

Pendant luminaires with direct and indirect light emission



PRODUCT FEATURES

- Aluminum housing, plastic end caps, white
- Each LED with individual lens and reflector for $UGR \leq 16$ and homogeneous light distribution
- Usable as a single or strip lighting luminaire
- The suspension kit has to be ordered separately as an accessory

PRODUCT BENEFITS

- Luminaire in timeless SCALE design, usable as a single or lighting strip solution
- Versions available with DALI ECG or emergency lighting
- Increased light comfort thanks to direct and indirect light emission
- Low flicker light thanks to special electronic control gear
- All versions with 5-year guarantee, except emergency version: 3 years (built-in 3h battery)

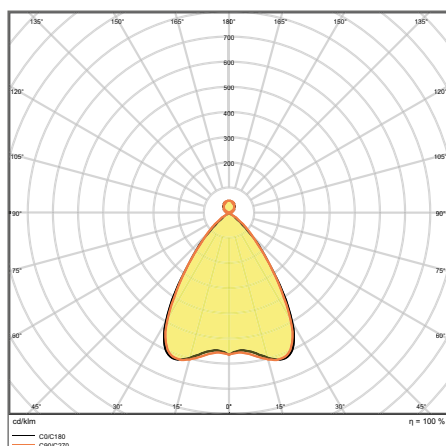
AREAS OF APPLICATION

- Direct replacement for luminaires with fluorescent lamps
- Offices, schools
- General indoor illumination
- Corridors, entrance areas
- Seamless linear lighting

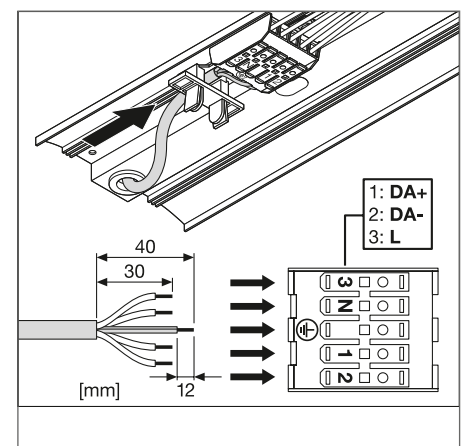
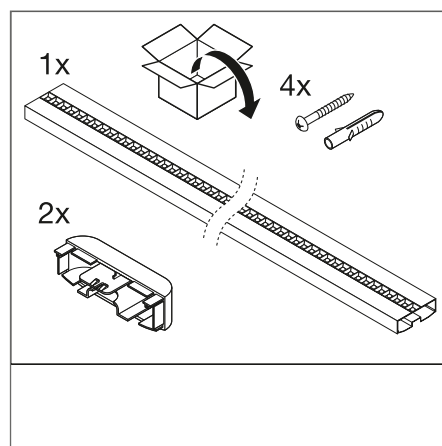
EQUIPMENT / ACCESSORIES

- Ceiling connection box available*
- Suspension kit available*
- Line connection adapter available*

FURTHER PRODUCT DETAILS



LN INDV D/I 1500 56 W 4000 K EM



* Please note: available = available as an optional accessory.

¹ The ENEC certification applies exclusively to the switchable versions of the luminaire family, all other versions: DALI, sensor, emergency and versions for through-wiring are excepted.

² Refer to www.ledvance.com/guarantee for precise conditions

The pictures shown in the catalog are for illustration purposes only. For information on size and color, please refer to the product table.

LINEAR INDIVILED® DIRECT/INDIRECT

Pendant luminaire for single luminaire or light line application

Product name	Segmentation	GTIN (EAN)	RE-PLACEMENT FOR	W	lm	lm/W	K	L70 ¹	L80 ¹	△	⤵
LN INDV D/1 1200 42 W 3000 K	■	4058075109728	2x28W FL	42	4650	110	3000	60000	50000	70	-
LN INDV D/1 1200 42 W 4000 K	■	4058075109742	2x28W FL	42	5050	120	4000	60000	50000	70	-
LN INDV D/1 1500 56 W 3000 K	■	4058075109766	2x49W FL	56	6150	110	3000	60000	50000	70	-
LN INDV D/1 1500 56 W 4000 K	■	4058075110441	2x49W FL	56	6550	115	4000	60000	50000	70	-
LN INDV D/1 1200 42 W 3000 K DALI	■	4058075109001	2x28W FL	42	4650	110	3000	60000	50000	70	DALI
LN INDV D/1 1200 42 W 4000 K DALI	■	4058075109025	2x28W FL	42	5050	120	4000	60000	50000	70	DALI
LN INDV D/1 1500 56 W 3000 K DALI	■	4058075109049	2x49W FL	56	6150	110	3000	60000	50000	70	DALI
LN INDV D/1 1500 56 W 4000 K DALI	■	4058075109063	2x49W FL	56	6550	115	4000	60000	50000	70	DALI



Product name	CRI	UGR	FLICKER VALUE	IK	Ⓜ	L × W × H [mm] ∅ × H [mm]
LN INDV D/1 1200 42 W 3000 K	≥80	<16	<10 %	IK06	2600	1199 x 120 x 40
LN INDV D/1 1200 42 W 4000 K	≥80	<16	<10 %	IK06	2600	1199 x 120 x 40
LN INDV D/1 1500 56 W 3000 K	≥80	<16	<10 %	IK06	3200	1488 x 120 x 40
LN INDV D/1 1500 56 W 4000 K	≥80	<16	<10 %	IK06	3200	1488 x 120 x 40
LN INDV D/1 1200 42 W 3000 K DALI	≥80	<16	<10 %	IK06	2800	1199 x 120 x 40
LN INDV D/1 1200 42 W 4000 K DALI	≥80	<16	<10 %	IK06	2800	1199 x 120 x 40
LN INDV D/1 1500 56 W 3000 K DALI	≥80	<16	<10 %	IK06	3600	1488 x 120 x 40
LN INDV D/1 1500 56 W 4000 K DALI	≥80	<16	<10 %	IK06	3600	1488 x 120 x 40

LINEAR INDIVILED® DIRECT/INDIRECT EMERGENCY

Pendant luminaire for single luminaire or light line application with emergency lighting

Product name	Segmentation	GTIN (EAN)	RE-PLACEMENT FOR	W	lm	lm/W	K	L70 ¹	L80 ¹	△
LN INDV D/1 1200 42 W 3000 K EM	■	4058075109841	2x28W FL	42	4650	110	3000	60000	50000	70
LN INDV D/1 1200 42 W 4000 K EM	■	4058075109865	2x28W FL	42	5050	120	4000	60000	50000	70
LN INDV D/1 1500 56 W 3000 K EM	■	4058075109889	2x49W FL	56	6150	110	3000	60000	50000	70
LN INDV D/1 1500 56 W 4000 K EM	■	4058075109902	2x49W FL	56	6550	115	4000	60000	50000	70



Product name	CRI	UGR	FLICKER VALUE	IK	Ⓜ	L × W × H [mm] ∅ × H [mm]
LN INDV D/1 1200 42 W 3000 K EM	≥80	<16	<10 %	IK06	3000	1199 x 120 x 40
LN INDV D/1 1200 42 W 4000 K EM	≥80	<16	<10 %	IK06	3000	1199 x 120 x 40
LN INDV D/1 1500 56 W 3000 K EM	≥80	<16	<10 %	IK06	3550	1488 x 120 x 40
LN INDV D/1 1500 56 W 4000 K EM	≥80	<16	<10 %	IK06	3550	1488 x 120 x 40

EMERGENCY LIGHTING PROPERTIES

Product name	Battery life in emergency operation mode	Type of emergency operation test	Type of emergency light operation	Luminous flux in emergency operation mode	Type of Battery
LN INDV D/1 1200 42 W 3000 K EM	3 h	Automatic	Maintained/Non-maintained	410 lm	LiFeP04
LN INDV D/1 1200 42 W 4000 K EM	3 h	Automatic	Maintained/Non-maintained	410 lm	LiFeP04
LN INDV D/1 1500 56 W 3000 K EM	3 h	Automatic	Maintained/Non-maintained	410 lm	LiFeP04
LN INDV D/1 1500 56 W 4000 K EM	3 h	Automatic	Maintained/Non-maintained	410 lm	LiFeP04

¹ t [h]: L70/B50 @ 25 °C (Ta) / t [h]: L80/B10 @ 25 °C (Ta)



LINEAR INDIVILED® DIRECT/INDIRECT ACCESSORIES

Mounting accessories for LINEAR INDIVILED® luminaires



- Suspension Kit:
1 x transparent 1.5 m cable 3 x 0.75 mm +
2 x Y wire suspension 1.5 m
- DALI Suspension Kit:
1 x transparent 1.5 m cable 5 x 0.75 mm +
2 x Y wire suspension 1.5 m
- Suspension Wire:
1 x Y wire suspension 1.5 m
- Through Wiring Kit:
3 x 1.5 mm with fast connector
- DALI Through Wiring Kit:
2 x 1.5 mm with fast connector

Product name	GTIN (EAN)	L x W x H [mm] Ø x H [mm]	MATERIAL	COLOR	No.	No.
LN INDV Suspension Kit	4058075133280	100x25	Steel	White	1	1
LN INDV DALI Suspension Kit	4058075133303	100x25	Steel	White	1	2
LN INDV Suspension Wire	4058075133327	1560x1x1	Steel	Steel	1	3
LN INDV Lightline Connector	4058075133341	82x40x12	Steel	Steel	1	4
LN INDV 1200 Through Wiring Kit	4058075158030	1250x20x7	Polycarbonate (PC)	Yellow	1	5
LN INDV 1500 Through Wiring Kit	4058075133365	1560x20x7	Polycarbonate (PC)	Yellow	1	5
LN INDV DALI 1200 Through Wiring Kit	4058075158016	1250x13x7	Polycarbonate (PC)	Yellow	1	6
LN INDV DALI 1500 Through Wiring Kit	4058075157996	1560x13x7	Polycarbonate (PC)	Yellow	1	6

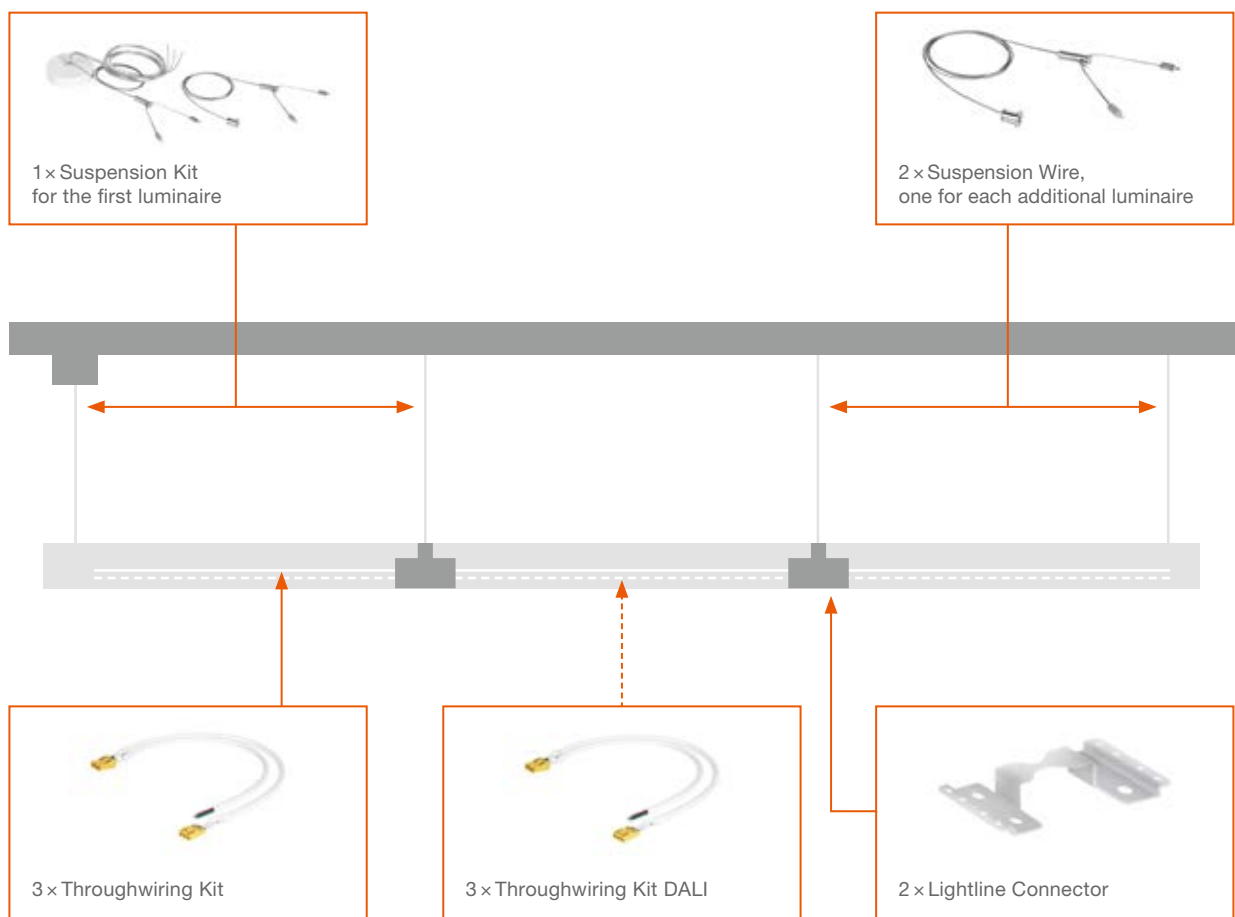
¹ Refer to www.ledvance.com/guarantee for precise conditions

OUR CHECKLIST FOR YOUR LINEAR INDIVILED DALI SYSTEM

Typical installation: We have put together for you all the necessary components for suspended installation of three luminaires as strip lighting. For more information see the operating instructions for Linear IndiviLED.


UP TO 20 LUMINAIRES!

INSTALLATION OF 3x LINEAR INDIVILED DALI



The through-wiring must be fitted by an installer.



ORDER LIST 

- 3x Linear IndiviLED Luminaire
- 3x Throughwiring Kit
- 3x Throughwiring Kit DALI
- 2x Lightline Connector
- 1x Suspension Kit
- 2x Suspension Wire

LINEAR INDIVILED® DIRECT

Surface luminaires with direct light emission for single luminaire or light line application



PRODUCT FEATURES

- Aluminum housing, plastic end caps, white
- Each LED with individual lens and reflector for $UGR \leq 16$ and homogeneous light distribution
- Usable as a single or strip lighting luminaire
- Mountable directly on the ceiling as a surface-mounted luminaire without additional accessories
- The suspension kit has to be ordered separately as an accessory

PRODUCT BENEFITS

- Luminaire in timeless SCALE design, usable as a single or lighting strip solution
- Versions available with DALI ECG (1500 25W), IoT-ready DALI-2.0 (all other) or emergency lighting
- Also usable as pendant (order accessories separately)
- Low flicker light thanks to special electronic control gear
- All versions with 5-year guarantee, except emergency version: 3 years (built-in 3h battery)

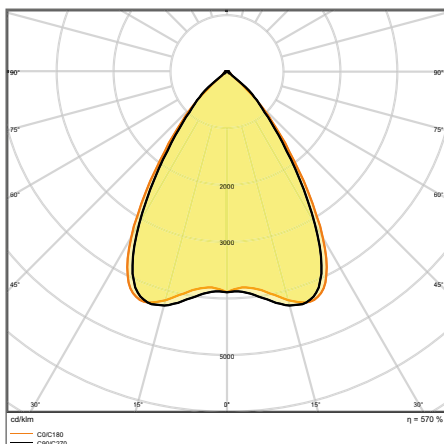
AREAS OF APPLICATION

- Direct replacement for luminaires with fluorescent lamps
- Offices, schools
- General indoor illumination
- Corridors, entrance areas
- Seamless linear lighting

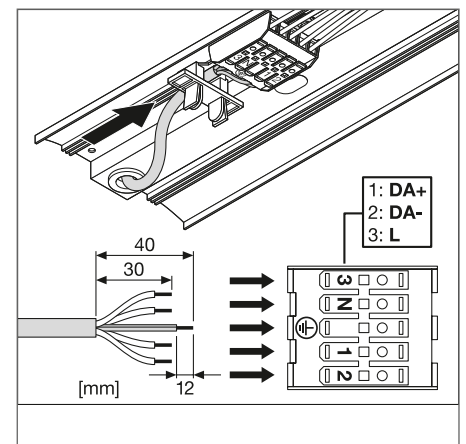
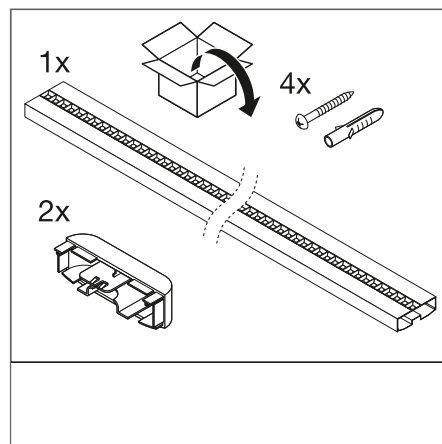
EQUIPMENT / ACCESSORIES

- Ceiling connection box available*
- Suspension kit available*
- Line connection adapter available*

FURTHER PRODUCT DETAILS



LN INDV D 1500 48 W 4000 K DALI



* Please note: available = available as an optional accessory.

¹ The ENEC certification applies exclusively to the switchable versions of the luminaire family, all other versions: DALI, sensor, emergency and versions for through-wiring are excepted.

² Refer to www.ledvance.com/guarantee for precise conditions

The pictures shown in the catalog are for illustration purposes only. For information on size and color, please refer to the product table.

LINEAR INDIVILED® DIRECT

Surface mounted luminaire for single luminaire or light line application

Product name	Segmentation	GTIN (EAN)	RE-PLACEMENT FOR	W	lm	lm/W	K	L70 ¹	L80 ¹	△	⌚
LN INDV D 1200 34 W 3000 K	■	4058075109605	2x28W FL	34	3800	110	3000	60000	50000	70	-
LN INDV D 1200 34 W 4000 K	■	4058075109629	2x28W FL	34	4200	120	4000	60000	50000	70	-
LN INDV D 1500 25 W 3000 K	■	4058075109643	1x49W FL	25	3100	125	3000	60000	50000	70	-
LN INDV D 1500 25 W 4000 K	■	4058075109667	1x49W FL	25	3300	125	4000	60000	50000	70	-
LN INDV D 1500 48 W 3000 K	■	4058075109681	2x49W FL	48	5300	110	3000	60000	50000	70	-
LN INDV D 1500 48 W 4000 K	■	4058075109704	2x49W FL	48	5700	120	4000	60000	50000	70	-
NEW LN INDV D 1200 34 W 3000 K DALI	■	4058075503946	2x28W FL	34	3800	110	3000	60000	50000	70	DALI
NEW LN INDV D 1200 34 W 4000 K DALI	■	4058075503960	2x28W FL	34	4200	125	4000	60000	50000	70	DALI
LN INDV D DALI 1500 25 W 3000 K	■	4058075108929	1x49W FL	25	3100	125	3000	60000	50000	70	DALI
LN INDV D DALI 1500 25 W 4000 K	■	4058075108943	1x49W FL	25	3300	125	4000	60000	50000	70	DALI
NEW LN INDV D 1500 48 W 3000 K DALI	■	4058075503984	2x49W FL	48	5300	110	3000	60000	50000	70	DALI
NEW LN INDV D 1500 48 W 4000 K DALI	■	4058075504004	2x49W FL	48	5700	120	4000	60000	50000	70	DALI

Product name	CRI	UGR	FLICKER VALUE	IK	g	L x W x H [mm]	Ø x H [mm]
LN INDV D 1200 34 W 3000 K	≥80	<16	<10 %	IK06	2400	1199 x 120 x 40	
LN INDV D 1200 34 W 4000 K	≥80	<16	<10 %	IK06	2400	1199 x 120 x 40	
LN INDV D 1500 25 W 3000 K	≥80	<16	<10 %	IK06	2900	1488 x 120 x 40	
LN INDV D 1500 25 W 4000 K	≥80	<16	<10 %	IK06	2900	1488 x 120 x 40	
LN INDV D 1500 48 W 3000 K	≥80	<16	<10 %	IK06	3100	1488 x 120 x 40	
LN INDV D 1500 48 W 4000 K	≥80	<16	<10 %	IK06	3100	1488 x 120 x 40	
NEW LN INDV D 1200 34 W 3000 K DALI	>80	<16	<5 %	IK06	2500	1199 x 120 x 40	
NEW LN INDV D 1200 34 W 4000 K DALI	>80	<16	<5 %	IK06	2500	1199 x 120 x 40	
LN INDV D DALI 1500 25 W 3000 K	≥80	<16	<10 %	IK06	3000	1488 x 120 x 40	
LN INDV D DALI 1500 25 W 4000 K	≥80	<16	<10 %	IK06	3000	1488 x 120 x 40	
NEW LN INDV D 1500 48 W 3000 K DALI	>80	<16	<5 %	IK06	3200	1488 x 120 x 40	
NEW LN INDV D 1500 48 W 4000 K DALI	>80	<16	<5 %	IK06	3200	1488 x 120 x 40	

LINEAR INDIVILED® DIRECT EMERGENCY

Surface mounted luminaire for single luminaire or light line application with emergency lighting

Product name	Segmentation	GTIN (EAN)	RE-PLACEMENT FOR	W	lm	lm/W	K	L70 ¹	L80 ¹	△
LN INDV D 1200 34 W 3000 K EM	■	4058075109520	2x28W FL	34	3800	110	3000	60000	50000	70
LN INDV D 1200 34 W 4000 K EM	■	4058075109544	2x28W FL	34	4200	120	4000	60000	50000	70
LN INDV D 1500 25 W 3000 K EM	■	4058075109568	1x49W FL	25	3100	125	3000	60000	50000	70
LN INDV D 1500 25 W 4000 K EM	■	4058075109582	1x49W FL	25	3300	125	4000	60000	50000	70
LN INDV D 1500 48 W 3000 K EM	■	4058075109803	2x49W FL	48	5300	110	3000	60000	50000	70
LN INDV D 1500 48 W 4000 K EM	■	4058075109827	2x49W FL	48	5700	120	4000	60000	50000	70

Product name	CRI	UGR	FLICKER VALUE	IK	g	L x W x H [mm]	Ø x H [mm]
LN INDV D 1200 34 W 3000 K EM	≥80	<16	<10 %	IK06	2700	1199 x 120 x 40	
LN INDV D 1200 34 W 4000 K EM	≥80	<16	<10 %	IK06	2700	1199 x 120 x 40	
LN INDV D 1500 25 W 3000 K EM	≥80	<16	<10 %	IK06	3100	1488 x 120 x 40	
LN INDV D 1500 25 W 4000 K EM	≥80	<16	<10 %	IK06	3100	1488 x 120 x 40	
LN INDV D 1500 48 W 3000 K EM	≥80	<16	<10 %	IK06	3170	1488 x 120 x 40	
LN INDV D 1500 48 W 4000 K EM	≥80	<16	<10 %	IK06	3170	1488 x 120 x 40	

¹ t [h]: L70/B50 @ 25 °C (Ta) / t [h]: L80/B10 @ 25 °C (Ta)

EMERGENCY LIGHTING PROPERTIES

Product name	Battery life in emergency operation mode	Type of emergency operation test	Type of emergency light operation	Luminous flux in emergency operation mode	Type of Battery
LN INDV D 1200 34 W 3000 K EM	3 h	Automatic	Maintained/Non-maintained	410 lm	LiFeP04
LN INDV D 1200 34 W 4000 K EM	3 h	Automatic	Maintained/Non-maintained	410 lm	LiFeP04
LN INDV D 1500 25 W 3000 K EM	3 h	Automatic	Maintained/Non-maintained	410 lm	LiFeP04
LN INDV D 1500 25 W 4000 K EM	3 h	Automatic	Maintained/Non-maintained	410 lm	LiFeP04
LN INDV D 1500 48 W 3000 K EM	3 h	Automatic	Maintained/Non-maintained	410 lm	LiFeP04
LN INDV D 1500 48 W 4000 K EM	3 h	Automatic	Maintained/Non-maintained	410 lm	LiFeP04

LINEAR INDIVILED® DIRECT ACCESSORIES

Mounting accessories for LINEAR INDIVILED® luminaires



- Suspension Kit:
1 x transparent 1.5 m cable 3 x 0.75 mm +
2 x Y wire suspension 1.5 m
- DALI Suspension Kit:
1 x transparent 1.5 m cable 5 x 0.75 mm +
2 x Y wire suspension 1.5 m
- Suspension Wire:
1 x Y wire suspension 1.5 m
- Through Wiring Kit:
3 x 1.5 mm with fast connector
- DALI Through Wiring Kit:
2 x 1.5 mm with fast connector

Product name	GTIN (EAN)	L x W x H [mm] Ø x H [mm]	MATERIAL	COLOR		 No.
LN INDV Suspension Kit	4058075133280	100x25	Steel	White	1	1
LN INDV DALI Suspension Kit	4058075133303	100x25	Steel	White	1	2
LN INDV Suspension Wire	4058075133327	1560x1x1	Steel	Steel	1	3
LN INDV Lightline Connector	4058075133341	82x40x12	Steel	Steel	1	4
LN INDV 1200 Through Wiring Kit	4058075158030	1250x20x7	Polycarbonate (PC)	Yellow	1	5
LN INDV 1500 Through Wiring Kit	4058075133365	1560x20x7	Polycarbonate (PC)	Yellow	1	5
LN INDV DALI 1200 Through Wiring Kit	4058075158016	1250x13x7	Polycarbonate (PC)	Yellow	1	6
LN INDV DALI 1500 Through Wiring Kit	4058075157996	1560x13x7	Polycarbonate (PC)	Yellow	1	6

¹ Refer to www.ledvance.com/guarantee for precise conditions

LINEAR LUMINAIRES

HIGH LEVELS OF COMFORT AND FLEXIBILITY

LINEAR SURFACE IP44



Page 96

LINEAR SURFACE IP44
LINEAR SURFACE IP44 EMERGENCY

PERFOR-
MANCE
CLASS



IDEAL FOR SPECIAL APPLICATIONS WITH A HIGH DEGREE OF PROTECTION

- Robust IP44 and IK08 luminaire with integrated driver for surface and pendant mounting
- Replacement for traditional 2/36 W and 2/58 W versions
- Also available with 3-hour single battery on request (please note longer delivery time)

LINEAR ULTRA OUTPUT



Page 100

LINEAR ULTRA OUTPUT
LINEAR ULTRA OUTPUT EMERGENCY

PERFOR-
MANCE
CLASS



EXCELLENT LIGHT OUTPUT

- Replacement of conventional T8 luminaires: equivalent to 1/36 W, 2/36 W, 1/58 W, 2/58 W and 2 x 80 W depending on the version
- Robust housing with IK08
- Optional reflector accessories and numerous wiring options for flexible applications

LINEAR COMPACT



Page 104

LINEAR COMPACT BATTEN
LINEAR COMPACT HIGH OUTPUT
LINEAR COMPACT SWITCH

VALUE
CLASS

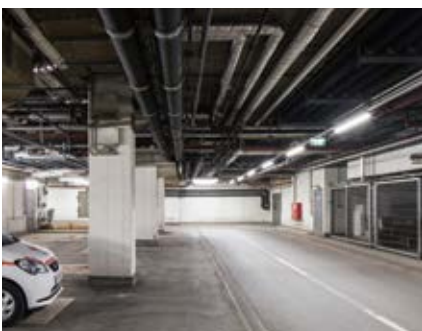


COMPACT AND VERSATILE

- Flexible strip lighting versions possible, plug-in (High Output and Switch) or with wiring (Batten)
- Many options for fast and flexible mounting through extensive accessories
- High luminous flux of up to 2,500 lm

WHICH LUMINAIRE IS SUITABLE FOR WHICH APPLICATION?

LINEAR SURFACE IP44



General lighting and special applications requiring a high degree of protection

LINEAR ULTRA OUTPUT



Industry, general lighting

LINEAR COMPACT



Cove lighting, shop and hospitality



LINEAR SURFACE IP44

Surface mounted luminaire with IP44



PRODUCT FEATURES

- Housing made of white (similar to RAL 9010) painted sheet steel with UV-stable opal PC diffuser
- Feed from side or rear, through-wiring 5 x 2.5 sqmm possible
- End cap made of polycarbonate, white, mounted with 2 screws for more secure installation
- Lifetime (L70/ B50): up to 60,000 h
- Luminaire efficacy: up to 110 lm/W

PRODUCT BENEFITS

- Robust IP44 and IK08 luminaire with integrated driver for surface and suspended mounting
- Replacement for traditional 2/36 W and 2/58W versions
- Also available with 3-hour single battery on request (please note longer delivery time)
- All versions with 5-year guarantee, except emergency version: 3 years (built-in 3h battery)

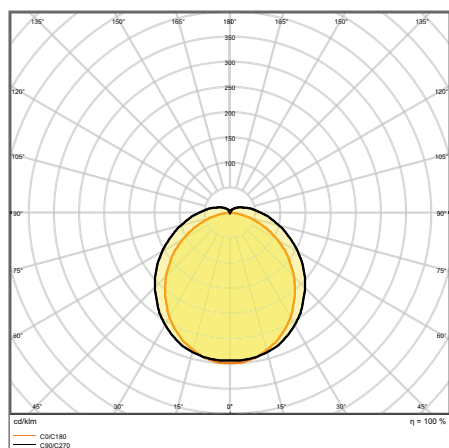
AREAS OF APPLICATION

- Efficient replacement for traditional T8 and T5 luminaires
- Public buildings
- General illumination
- Libraries, schools

EQUIPMENT / ACCESSORIES

- Accessories for suspension available*

FURTHER PRODUCT DETAILS



LN SF IP44 EM 1500 43 W 3000 K WT

* Please note: available = available as an optional accessory.

The pictures shown in the catalog are for illustration purposes only. For information on size and color, please refer to the product table.

LINEAR SURFACE IP44

Robust IP44 luminaires with direct light emission and integrated driver for surface or suspended applications

Product name	Segmentation	GTIN (EAN)	RE-PLACEMENT FOR	W	lm	lm/W	K	L70 ¹	L80 ¹	△
LN SF IP44 1200 36 W 3000 K WT	■	4058075352872	2x28W FL	36	4000	110	3000	60000	40000	120
LN SF IP44 1200 36 W 4000 K WT	■	4058075352896	2x28W FL	36	4000	110	4000	60000	40000	120
LN SF IP44 1500 43 W 3000 K WT	■	4058075352919	2x28W FL	43	5000	115	3000	60000	40000	120
LN SF IP44 1500 43 W 4000 K WT	■	4058075352933	2x28W FL	43	5000	115	4000	60000	40000	120



Product name	CRI	FLICKER VALUE	IK	9	L x W x H [mm] Ø x H [mm]
LN SF IP44 1200 36 W 3000 K WT	≥80	<10 %	IK08	2300	1199x145x64.5
LN SF IP44 1200 36 W 4000 K WT	≥80	<10 %	IK08	2300	1199x145x64.5
LN SF IP44 1500 43 W 3000 K WT	≥80	<10 %	IK08	2700	1499x145x64.5
LN SF IP44 1500 43 W 4000 K WT	≥80	<10 %	IK08	2700	1499x145x64.5

LINEAR SURFACE IP44 EMERGENCY

Robust IP44 luminaires with direct light emission, integrated driver and integrated emergency lighting function

Product name	Segmentation	GTIN (EAN)	RE-PLACEMENT FOR	W	lm	lm/W	K	L70 ¹	L80 ¹	△
LN SF IP44 EM 1200 36 W 3000 K WT	■	4058075402959	2x28W FL	36	4000	100	3000	60000	40000	120
LN SF IP44 EM 1200 36 W 4000 K WT	■	4058075402973	2x28W FL	36	4000	100	4000	60000	40000	120
LN SF IP44 EM 1500 43 W 3000 K WT	■	4058075402997	2x28W FL	43	5000	110	3000	60000	40000	120
LN SF IP44 EM 1500 43 W 4000 K WT	■	4058075403017	2x28W FL	43	5000	110	4000	60000	40000	120



Product name	CRI	FLICKER VALUE	IK	9	L x W x H [mm] Ø x H [mm]
LN SF IP44 EM 1200 36 W 3000 K WT	≥80	<10 %	IK08	2400	1199x145x64.5
LN SF IP44 EM 1200 36 W 4000 K WT	≥80	<10 %	IK08	2400	1199x145x64.5
LN SF IP44 EM 1500 43 W 3000 K WT	≥80	<10 %	IK08	2800	1499x145x64.5
LN SF IP44 EM 1500 43 W 4000 K WT	≥80	<10 %	IK08	2800	1499x145x64.5

EMERGENCY LIGHTING PROPERTIES

Product name	Battery life in emergency operation mode	Type of emergency operation test	Type of emergency light operation	Luminous flux in emergency operation mode	Type of Battery
LN SF IP44 EM 1200 36 W 3000 K WT	3 h	Automatic	Maintained/Non-maintained	350 lm	LiFeP04
LN SF IP44 EM 1200 36 W 4000 K WT	3 h	Automatic	Maintained/Non-maintained	350 lm	LiFeP04
LN SF IP44 EM 1500 43 W 3000 K WT	3 h	Automatic	Maintained/Non-maintained	375 lm	LiFeP04
LN SF IP44 EM 1500 43 W 4000 K WT	3 h	Automatic	Maintained/Non-maintained	375 lm	LiFeP04

¹ t [h]: L70/B50 @ 25 °C (Ta) / t [h]: L80/B10 @ 25 °C (Ta)



LINEAR SURFACE ACCESSORIES

Mounting accessories for LINEAR SURFACE luminaires



- Suspension Kit:
transp. cable 5-wire, 2 x wire suspension
1.5 m + ceiling rose with terminal
- Suspension Wire:
1 x Y wire suspension 1.5 m

Product name	GTIN (EAN)	L x W x H [mm] Ø x H [mm]	MATERIAL	COLOR		
LN SF Suspension Kit	4058075352957	40 x -	Steel	Silver	1	1
LN SF Suspension Wire	4058075390089	1 x -	Steel	Silver	1	2

¹ Refer to www.ledvance.com/guarantee for precise conditions



LINEAR ULTRA OUTPUT

Surface luminaire with high lumen output and high lumenous efficacy



PRODUCT FEATURES

- Housing made of robust white sheet steel, end cap and opal diffuser made of polycarbonate (PC)
- Versions with luminous flux between 3500 and 7100 lm available
- Very high luminous efficacy: up to 125 lm/W
- Through-wiring possible
- Tool-free installation by push button terminal and simple click system of the diffuser

PRODUCT BENEFITS

- Replacement of conventional T8 luminaires: equivalent to 2/36W, 1/58W, 2/58W and 2x80W
- Robust structure with IK08
- Optional reflector accessory and multiple wiring possibilities for flexible applications
- Energy savings of up to 60 % compared to luminaires that use CFL
- 5 years guarantee

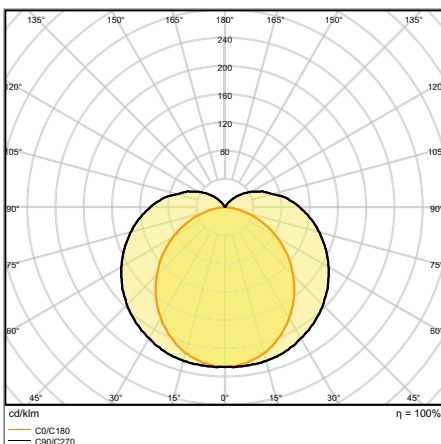
AREAS OF APPLICATION

- Direct replacement for luminaires with fluorescent lamps
- Indoor applications
- Industrial and commercial halls
- Public areas
- Corridors, stairwells, basements

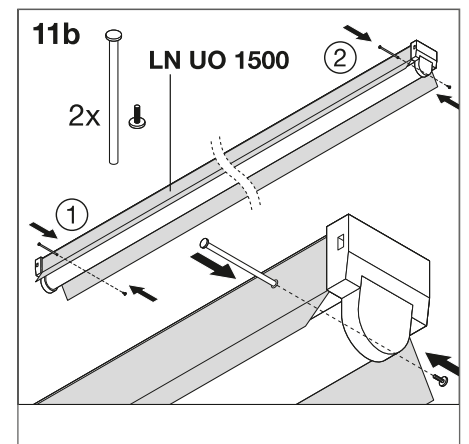
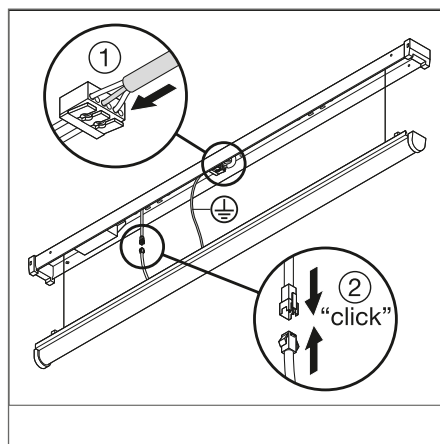
EQUIPMENT / ACCESSORIES

- Reflector for high ceilings or asymmetric light emission available* separately (1500 mm version)
- Mounting screws and dowels included

FURTHER PRODUCT DETAILS



LN UO 1500 60 W 4000 K



* Please note: available = available as an optional accessory.

The pictures shown in the catalog are for illustration purposes only. For information on size and color, please refer to the product table.

LINEAR ULTRA OUTPUT

Surface luminaire with high luminous flux

Product name	Segmentation	GTIN (EAN)	RE-PLACEMENT FOR	W	lm	lm/W	K	L70 ¹	L80 ¹	°
NEW LN UO 1200 25 W 3000 K	■	4058075479937	-	25	2850	115	3000	50000	40000	110
NEW LN UO 1200 25 W 4000 K	■	4058075479951	-	25	2950	120	4000	50000	40000	110
LN UO 1200 33 W 3000 K	■	4058075122147	2x36W FL	33	3700	110	3000	50000	40000	110
LN UO 1200 33 W 4000 K	■	4058075122161	2x36W FL	33	4000	120	4000	50000	40000	110
LN UO 1500 30 W 3000 K	■	4058075122185	1x58W FL	30	3500	115	3000	50000	40000	110
LN UO 1500 30 W 4000 K	■	4058075122208	1x58W FL	30	3800	125	4000	50000	40000	110
LN UO 1500 46 W 3000 K	■	4058075122222	2x58W FL	46	5000	110	3000	50000	40000	110
LN UO 1500 46 W 4000 K	■	4058075122246	2x58W FL	46	5500	120	4000	50000	40000	110
LN UO 1500 60 W 3000 K	■	4058075122260	2x80W FL	60	6600	110	3000	50000	40000	110
LN UO 1500 60 W 4000 K	■	4058075122284	2x80W FL	60	7100	120	4000	50000	40000	110



Product name	CRI	IK	g	L x W x H [mm]	Ø x H [mm]
NEW LN UO 1200 25 W 3000 K	≥80	IK08	1260	1168x62x74	
NEW LN UO 1200 25 W 4000 K	≥80	IK08	1260	1168x62x74	
LN UO 1200 33 W 3000 K	≥80	IK08	1500	1168x62x74	
LN UO 1200 33 W 4000 K	≥80	IK08	1260	1168x62x74	
LN UO 1500 30 W 3000 K	≥80	IK08	1800	1458x62x74	
LN UO 1500 30 W 4000 K	≥80	IK08	1800	1458x62x74	
LN UO 1500 46 W 3000 K	≥80	IK08	1850	1458x62x74	
LN UO 1500 46 W 4000 K	≥80	IK08	1850	1458x62x74	
LN UO 1500 60 W 3000 K	≥80	IK08	1850	1458x62x74	
LN UO 1500 60 W 4000 K	≥80	IK08	1850	1458x62x74	

¹ t [h]: L70/B50 @ 25 °C (Ta) / t [h]: L80/B10 @ 25 °C (Ta)

LINEAR ULTRA OUTPUT EMERGENCY

Surface luminaire with high luminous flux and integrated emergency lighting function

Product name	Segmentation	GTIN (EAN)	RE-PLACE-MENT FOR	W	lm	lm/W	K	L70 ¹	L80 ¹	⌚
NEW LN UO EM 1200 25 W 3000 K	■	4058075515208	1x36W FL	25	2850	115	3000	50000	40000	120
NEW LN UO EM 1200 25 W 4000 K	■	4058075515222	1x36W FL	25	2950	120	4000	50000	40000	120
NEW LN UO EM 1200 33 W 3000 K	■	4058075515246	2x36W FL	33	3700	110	3000	50000	40000	120
NEW LN UO EM 1200 33 W 4000 K	■	4058075515260	2x36W FL	33	4000	120	4000	50000	40000	120
NEW LN UO EM 1500 30 W 3000 K	■	4058075515284	1x58W FL	30	3500	220	3000	50000	40000	120
NEW LN UO EM 1500 30 W 4000 K	■	4058075515307	1x58W FL	30	3800	240	4000	50000	40000	120
NEW LN UO EM 1500 46 W 3000 K	■	4058075515321	2x58W FL	46	5000	110	3000	50000	40000	120
NEW LN UO EM 1500 46 W 4000 K	■	4058075515352	2x58W FL	46	5500	120	4000	50000	40000	120
NEW LN UO EM 1500 60 W 3000 K	■	4058075515376	2x80W FL	60	6600	110	3000	50000	40000	120
NEW LN UO EM 1500 60 W 4000 K	■	4058075515390	2x80W FL	60	7100	120	4000	50000	40000	120



Product name	CRI	IK	ⓘ	L x W x H [mm]	∅ x H [mm]
NEW LN UO EM 1200 25 W 3000 K	≥80	IK08	1410	1168 x 62 x 74	
NEW LN UO EM 1200 25 W 4000 K	≥80	IK08	1410	1168 x 62 x 74	
NEW LN UO EM 1200 33 W 3000 K	≥80	IK08	1410	1168 x 62 x 74	
NEW LN UO EM 1200 33 W 4000 K	≥80	IK08	1410	1168 x 62 x 74	
NEW LN UO EM 1500 30 W 3000 K	≥80	IK08	2050	1458 x 62 x 74	
NEW LN UO EM 1500 30 W 4000 K	≥80	IK08	2050	1458 x 62 x 74	
NEW LN UO EM 1500 46 W 3000 K	≥80	IK08	2100	1458 x 62 x 74	
NEW LN UO EM 1500 46 W 4000 K	≥80	IK08	2100	1458 x 62 x 74	
NEW LN UO EM 1500 60 W 3000 K	≥80	IK08	2100	1458 x 62 x 74	
NEW LN UO EM 1500 60 W 4000 K	≥80	IK08	2100	1458 x 62 x 74	

EMERGENCY LIGHTING PROPERTIES

Product name	Battery life in emergency operation mode	Type of emergency operation test	Type of emergency light operation	Luminous flux in emergency operation mode	Type of Battery
LN UO EM 1200 25 W 3000 K	3 h	Automatic	Maintained/Non-maintained	370 lm	LiFePO4
LN UO EM 1200 25 W 4000 K	3 h	Automatic	Maintained/Non-maintained	370 lm	LiFePO4
LN UO EM 1200 33 W 3000 K	3 h	Automatic	Maintained/Non-maintained	370 lm	LiFePO4
LN UO EM 1200 33 W 4000 K	3 h	Automatic	Maintained/Non-maintained	370 lm	LiFePO4
LN UO EM 1500 30 W 3000 K	3 h	Automatic	Maintained/Non-maintained	370 lm	LiFePO4
LN UO EM 1500 30 W 4000 K	3 h	Automatic	Maintained/Non-maintained	370 lm	LiFePO4
LN UO EM 1500 46 W 3000 K	3 h	Automatic	Maintained/Non-maintained	370 lm	LiFePO4
LN UO EM 1500 46 W 4000 K	3 h	Automatic	Maintained/Non-maintained	370 lm	LiFePO4
LN UO EM 1500 60 W 3000 K	3 h	Automatic	Maintained/Non-maintained	370 lm	LiFePO4
LN UO EM 1500 60 W 4000 K	3 h	Automatic	Maintained/Non-maintained	370 lm	LiFePO4

¹ t [h]: L70/B50 @ 25 °C (Ta) / t [h]: L80/B10 @ 25 °C (Ta)



LINEAR ULTRA OUTPUT ACCESSORIES

Symmetric/asymmetric reflector for Linear Ultra Output 1500 mm version



- Allows a symmetric light distribution with beam angle 80°
- Reflector for symmetric (both sides) or asymmetric (one side) mounting

Product name	GTIN (EAN)	L x W x H [mm] Ø x H [mm]	MATERIAL	COLOR	Beam angle	Mounting
LN UO 1500 REFLECTOR	4058075133389	1420x66x20	Steel	White	80	2

¹ Refer to www.ledvance.com/guarantee for precise conditions

LINEAR COMPACT

Compact single or light line luminaire



PRODUCT FEATURES

- Housing made of durable polycarbonate
- High Output and Switch: fast and seamless connection up to a maximum of 10 luminaires per strip
- Batten: lighting strip with connection via the rear of the luminaire with up to 60 luminaires
- Up to 4 different lengths available
- Glow Wire Test according to IEC 60695-2-12: 850 °C

PRODUCT BENEFITS

- Flexible strip lighting versions possible, plug-in (High Output and Switch) or with wiring (Batten)
- Many options for fast and flexible mounting through extensive accessories
- Hoher Lichtstrom bis zu 2500 lm
- Low flicker light thanks to special electronic control gear
- 5 years guarantee

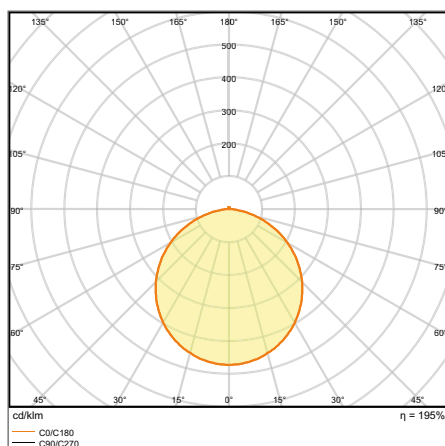
AREAS OF APPLICATION

- Direct replacement for luminaires with fluorescent lamps
- Indoor applications
- Accent lighting
- Public areas

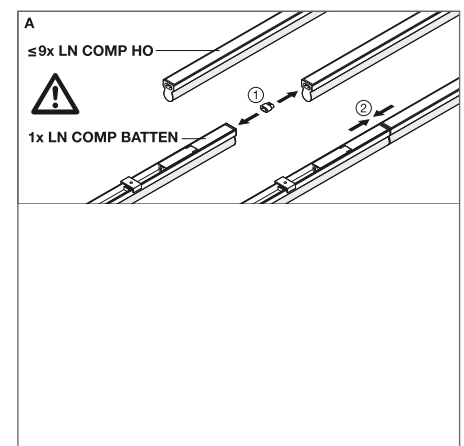
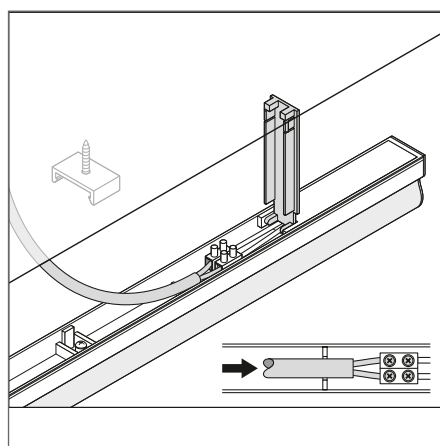
EQUIPMENT / ACCESSORIES

- Equipped with power plug, cable connector and line adapter for connecting further luminaires
- Mounting material for wall and ceiling installations included

FURTHER PRODUCT DETAILS



LN COMP Batten 1500 25 W 3000 K



* Applies only to Linear Compact HO and Switch

¹ Refer to www.ledvance.com/guarantee for precise conditions

The pictures shown in the catalog are for illustration purposes only. For information on size and color, please refer to the product table.

LINEAR COMPACT SWITCH

Compact single or light line luminaire with switch

Product name	Segmentation	GTIN (EAN)	RE-PLACEMENT FOR	W	lm	lm/W	K	L70 ¹	L80 ¹	△
LN COMP SWITCH 300 4 W 3000 K	■	4058075106079	1x9W FL	4	400	100	3000	50000	40000	140
LN COMP SWITCH 300 4 W 4000 K	■	4058075106093	1x9W FL	4	450	110	4000	50000	40000	140
LN COMP SWITCH 600 8 W 3000 K	■	4058075106116	1x18 W FL	8	800	100	3000	50000	40000	140
LN COMP SWITCH 600 8 W 4000 K	■	4058075106130	1x18 W FL	8	800	100	4000	50000	40000	140
LN COMP SWITCH 900 12 W 3000 K	■	4058075106192	1x30W FL	12	1200	100	3000	50000	40000	140
LN COMP SWITCH 900 12 W 4000 K	■	4058075106215	1x30W FL	12	1200	100	4000	50000	40000	140
LN COMP SWITCH 1200 14 W 3000 K	■	4058075106154	1x36W FL	14	1400	100	3000	50000	40000	140
LN COMP SWITCH 1200 14 W 4000 K	■	4058075106178	1x36W FL	14	1500	100	4000	50000	40000	140



Product name	CRI	FLICKER VALUE	L × W × H [mm] ∅ × H [mm]
LN COMP SWITCH 300 4 W 3000 K	>80	<5 %	313 x 28 x 36
LN COMP SWITCH 300 4 W 4000 K	>80	<5 %	313 x 28 x 36
LN COMP SWITCH 600 8 W 3000 K	>80	<5 %	573 x 28 x 36
LN COMP SWITCH 600 8 W 4000 K	>80	<5 %	573 x 28 x 36
LN COMP SWITCH 900 12 W 3000 K	>80	<5 %	873 x 28 x 36
LN COMP SWITCH 900 12 W 4000 K	>80	<5 %	873 x 28 x 36
LN COMP SWITCH 1200 14 W 3000 K	>80	<5 %	1173 x 28 x 36
LN COMP SWITCH 1200 14 W 4000 K	>80	<5 %	1173 x 28 x 36

LINEAR COMPACT HIGH OUTPUT

Compact single or light line luminaire with high luminous flux

Product name	Segmentation	GTIN (EAN)	RE-PLACEMENT FOR	W	lm	lm/W	K	L70 ¹	L80 ¹	△
LN COMP HO 600 10 W 3000 K	■	4058075106277	1x18W FL	10	1000	100	3000	50000	40000	140
LN COMP HO 600 10 W 4000 K	■	4058075106291	1x18W FL	10	1000	100	4000	50000	40000	140
LN COMP HO 900 15 W 3000 K	■	4058075106239	1x30W FL	15	1500	100	3000	50000	40000	140
LN COMP HO 900 15 W 4000 K	■	4058075106253	1x30W FL	15	1500	100	4000	50000	40000	140
LN COMP HO 1200 20 W 3000 K	■	4058075106314	1x36W FL	20	2000	100	3000	50000	40000	140
LN COMP HO 1200 20 W 4000 K	■	4058075106338	1x36W FL	20	2000	100	4000	50000	40000	140
LN COMP HO 1500 25 W 3000 K	■	4058075106352	1x58W FL	25	2500	100	3000	50000	40000	140
LN COMP HO 1500 25 W 4000 K	■	4058075106376	1x58W FL	25	2500	100	4000	50000	40000	140



Product name	CRI	L × W × H [mm] ∅ × H [mm]
LN COMP HO 600 10 W 3000 K	>80	573 x 24 x 36
LN COMP HO 600 10 W 4000 K	>80	573 x 24 x 36
LN COMP HO 900 15 W 3000 K	>80	873 x 24 x 36
LN COMP HO 900 15 W 4000 K	>80	873 x 24 x 36
LN COMP HO 1200 20 W 3000 K	>80	1173 x 24 x 36
LN COMP HO 1200 20 W 4000 K	>80	1173 x 24 x 36
LN COMP HO 1500 25 W 3000 K	>80	1473 x 24 x 36
LN COMP HO 1500 25 W 4000 K	>80	1473 x 24 x 36

¹ t [h]: L70/B50 @ 25 °C (Ta) / t [h]: L80/B10 @ 25 °C (Ta)

LINEAR COMPACT BATTEN

Compact luminaires with a wiring on the back side

Product name	Segmentation	GTIN (EAN)	RE-PLACE-MENT FOR	W	lm	lm/W	K	L70 ¹	L80 ¹	°
LN COMP Batten 600 10 W 3000 K	■	4058075099692	1x18W FL	10	1000	100	3000	50000	40000	140
LN COMP Batten 600 10 W 4000 K	■	4058075099715	1x18W FL	10	1000	100	4000	50000	40000	140
LN COMP Batten 1200 20 W 3000 K	■	4058075099739	1x36W FL	20	2000	100	3000	50000	40000	140
LN COMP Batten 1200 20 W 4000 K	■	4058075099753	1x36W FL	20	2000	100	4000	50000	40000	140
LN COMP Batten 1500 25 W 3000 K	■	4058075099777	1x58W FL	25	2500	100	3000	50000	40000	140
LN COMP Batten 1500 25 W 4000 K	■	4058075099791	1x58W FL	25	2500	100	4000	50000	40000	140



Product name	CRI	L x W x H [mm] Ø x H [mm]
LN COMP Batten 600 10 W 3000 K	>80	575 x 27 x 38
LN COMP Batten 600 10 W 4000 K	>80	575 x 27 x 38
LN COMP Batten 1200 20 W 3000 K	>80	1175 x 27 x 38
LN COMP Batten 1200 20 W 4000 K	>80	1175 x 27 x 38
LN COMP Batten 1500 25 W 3000 K	>80	1475 x 27 x 38
LN COMP Batten 1500 25 W 4000 K	>80	1475 x 27 x 38

¹ t [h]: L70/B50 @ 25 °C (Ta) / t [h]: L80/B10 @ 25 °C (Ta)


■ SUPERIOR CLASS ■ PERFORMANCE CLASS ■ VALUE CLASS



TRUNKING SYSTEMS


TRUSYS VERSUS TRUSYS PERFORMANCE

TRUSYS **PAGE 120**




TRUSYS
TRUSYS DALI
TRUSYS ENERGY RAIL
TRUSYS ACCESSORIES

PERFORMANCE CLASS




TRUSYS PERFORMANCE **PAGE 110**



TRUSYS PERFORMANCE ON/OFF
TRUSYS PERFORMANCE DALI
TRUSYS PERFORMANCE EM
TRUSYS PERFORMANCE ENERGY RAIL
TRUSYS PERFORMANCE ACCESSORIES

PERFORMANCE CLASS




Shop lighting, discounters, DIY stores	← APPLICATIONS →	Warehouses, industrial applications, factories, workshops
3,000, 4,000 and 6,500 K	← AVAILABLE LIGHT COLORS →	4,000 K
Up to 7,200 lm (up to 135 lm/W) for optimal lighting of merchandise in shops	← AVAILABLE LUMEN VALUES →	5,600, 8,000, 11,200 lm (up to 160 lm/W) allow use in different heights
High-quality attractive SCALE design, anodized aluminum housing	← DESIGN →	Practical, simple and functional design, white housing
Wide (W): 105°, narrow (NFL): 25°, asymmetrical (WW): 45°, double asymmetrical (DA): 2 × 35°	← BEAM ANGLE →	Very wide (VW): 120°, wide (W): 90°, narrow (N): 60°, very narrow (VN): 30°, double symmetric (DS): 2 × 30°
Very simple and time-saving installation thanks to snap-in system and interior luminaire holders	← INSTALLATION →	Tool-free click system

For more detailed information about the TruSys and TruSys Performance systems see the system data sheet at www.ledvance.com/professional



TRUSYS® PERFORMANCE

Efficient trunking system for a wide range of applications



PRODUCT FEATURES

- Sheet steel housing, lens material: PMMA
- Lifetime (L80/B10): up to 60,000 h (at 25 °C)
- Fixed luminaire taps
- Click into place solution with smart click buttons

PRODUCT BENEFITS

- Economical thanks to high luminous efficacy of 160 lm/W.
- Flexible application through a wide range of beam angles
- New also with double asymmetric beam angle: 2x30°
- Lighting strips with up to 57 luminaires (on/off) and 66 luminaires (DALI)
- Easy installation, no tools required for connection

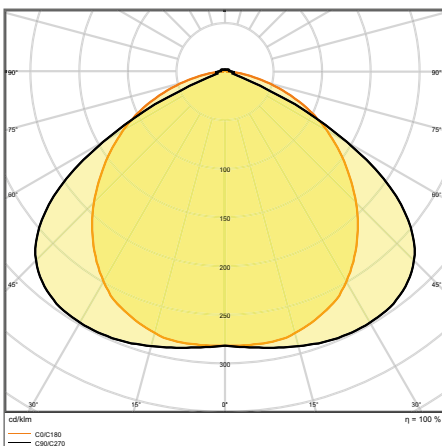
AREAS OF APPLICATION

- Direct replacement for luminaires with fluorescent lamps
- Industry halls, high rack warehouse, garages, hardware stores
- Discounters, supermarkets

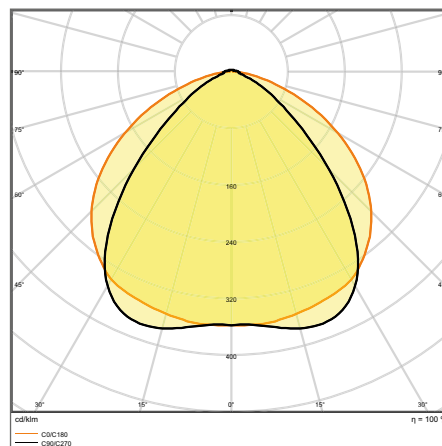
EQUIPMENT / ACCESSORIES

- Mounting rail with fixed integrated 5- and 8-pole cable

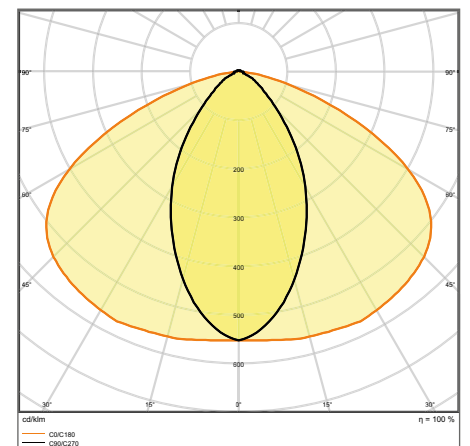
FURTHER PRODUCT DETAILS



TRUSYS PFM VW 70 W 4000 K



TRUSYS PFM W 70 W 4000 K



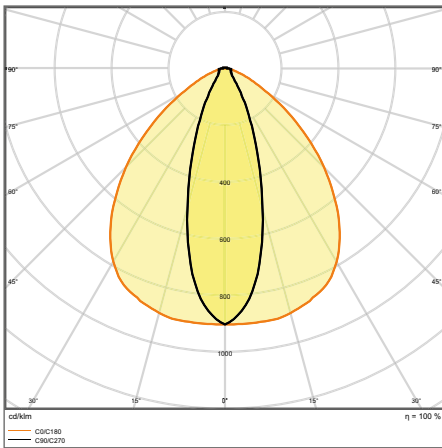
TRUSYS PFM N 70 W 4000 K

¹ The D mark refers exclusively to the switchable luminaire inserts, DALI and emergency light versions (EM) are excluded.

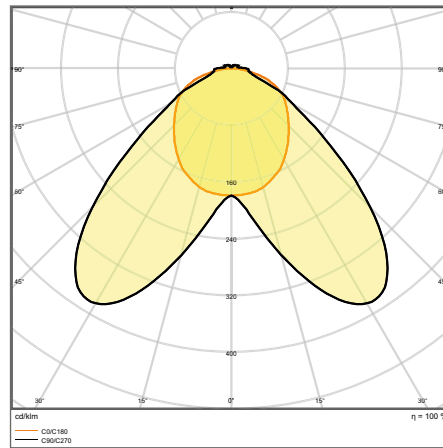
² Refer to www.ledvance.com/guarantee for precise conditions

The pictures shown in the catalog are for illustration purposes only. For information on size and color, please refer to the product table.

FURTHER PRODUCT DETAILS



TRUSYS PFM VN 70 W 4000 K



TRUSYS PFM DS 70 W 4000 K

TRUSYS® PERFORMANCE

Luminaire inserts for trunking system TruSys® Performance

Product name	Segmentation	GTIN (EAN)	REF. PLACE-MENT FOR	W	lm	lm/W	K	L70	L80	⊙	⊙
TruSys PFM VW 35 W 4000 K	■	4058075290921	2x80W FL	35	5600	160	4000	65000	60000	120	-
NEW TruSys PFM VW 50 W 4000 K	■	4058075398771	-	50	8000	160	4000	65000	60000	120	-
NEW TruSys PFM VW 70 W 4000 K	■	4058075398818	-	70	11200	160	4000	55000	50000	120	-
TruSys PFM W 35 W 4000 K	■	4058075290839	2x80W FL	35	5600	160	4000	65000	60000	90	-
TruSys PFM W 50 W 4000 K	■	4058075290853	2x80W FL	50	8000	160	4000	65000	60000	90	-
TruSys PFM W 70 W 4000 K	■	4058075290891	2x80W FL	70	11200	160	4000	55000	50000	90	-
NEW TruSys PFM N 35 W 4000 K	■	4058075398719	-	35	5600	160	4000	65000	60000	60	-
TruSys PFM N 50 W 4000 K	■	4058075290945	2x80W FL	50	8000	160	4000	65000	60000	60	-
TruSys PFM N 70 W 4000 K	■	4058075290969	2x80W FL	70	11200	160	4000	55000	50000	60	-
NEW TruSys PFM VN 35 W 4000 K	■	4058075398696	-	35	5600	160	4000	65000	60000	30	-
NEW TruSys PFM VN 50 W 4000 K	■	4058075398757	-	50	8000	160	4000	65000	60000	30	-
TruSys PFM VN 70 W 4000 K	■	4058075290983	2x80W FL	70	11200	160	4000	55000	50000	30	-
NEW TruSys PFM DS 35 W 4000 K	■	4058075398733	-	35	5600	160	4000	65000	60000	2 x 30	-
NEW TruSys PFM DS 50 W 4000 K	■	4058075398795	-	50	8000	160	4000	65000	60000	2 x 30	-
NEW TruSys PFM DS 70 W 4000 K	■	4058075398832	-	70	11200	160	4000	55000	50000	2 x 30	-
TruSys PFM VW 35 W 4000 K DALI	■	4058075291072	2x80W FL	35	5600	160	4000	65000	60000	120	DALI
TruSys PFM W 35 W 4000 K DALI	■	4058075291010	2x80W FL	35	5600	160	4000	65000	60000	90	DALI
TruSys PFM W 50 W 4000 K DALI	■	4058075291034	2x80W FL	50	8000	160	4000	65000	60000	90	DALI
TruSys PFM W 70 W 4000 K DALI	■	4058075291058	2x80W FL	70	11200	160	4000	55000	50000	90	DALI
TruSys PFM N 50 W 4000 K DALI	■	4058075291096	2x80W FL	50	8000	160	4000	65000	60000	60	DALI
TruSys PFM N 70 W 4000 K DALI	■	4058075291119	2x80W FL	70	11200	160	4000	55000	50000	60	DALI
TruSys PFM VN 70 W 4000 K DALI	■	4058075291133	2x80W FL	70	11200	160	4000	55000	50000	30	DALI

Product name	CRI	FLICKER VALUE	⊙	L x W x H [mm]	∅ x H [mm]
TruSys PFM VW 35 W 4000 K	≥80	<8 %	1660	1500 x 66.8 x 39.4	
NEW TruSys PFM VW 50 W 4000 K	≥80	<8 %	1660	1500 x 66.8 x 39.4	
NEW TruSys PFM VW 70 W 4000 K	≥80	<8 %	1660	1500 x 66.8 x 39.4	
TruSys PFM W 35 W 4000 K	≥80	<8 %	1660	1500 x 66.8 x 39.4	
TruSys PFM W 50 W 4000 K	≥80	<8 %	1660	1500 x 66.8 x 39.4	
TruSys PFM W 70 W 4000 K	≥80	<8 %	1660	1500 x 66.8 x 39.4	
NEW TruSys PFM N 35 W 4000 K	≥80	<8 %	1660	1500 x 66.8 x 39.4	
TruSys PFM N 50 W 4000 K	≥80	<8 %	1660	1500 x 66.8 x 39.4	
TruSys PFM N 70 W 4000 K	≥80	<8 %	1660	1500 x 66.8 x 39.4	
NEW TruSys PFM VN 35 W 4000 K	≥80	<8 %	1660	1500 x 66.8 x 39.4	
NEW TruSys PFM VN 50 W 4000 K	≥80	<8 %	1660	1500 x 66.8 x 39.4	
TruSys PFM VN 70 W 4000 K	≥80	<8 %	1660	1500 x 66.8 x 39.4	
NEW TruSys PFM DS 35 W 4000 K	≥80	<8 %	1660	1500 x 66.8 x 39.4	
NEW TruSys PFM DS 50 W 4000 K	≥80	<8 %	1660	1500 x 66.8 x 39.4	
NEW TruSys PFM DS 70 W 4000 K	≥80	<8 %	1660	1500 x 66.8 x 39.4	
TruSys PFM VW 35 W 4000 K DALI	≥80	<5 %	1660	1500 x 66.8 x 39.4	
TruSys PFM W 35 W 4000 K DALI	≥80	<5 %	1660	1500 x 66.8 x 39.4	
TruSys PFM W 50 W 4000 K DALI	≥80	<5 %	1660	1500 x 66.8 x 39.4	
TruSys PFM W 70 W 4000 K DALI	≥80	<5 %	1660	1500 x 66.8 x 39.4	
TruSys PFM N 50 W 4000 K DALI	≥80	<5 %	1660	1500 x 66.8 x 39.4	
TruSys PFM N 70 W 4000 K DALI	≥80	<5 %	1660	1500 x 66.8 x 39.4	
TruSys PFM VN 70 W 4000 K DALI	≥80	<5 %	1660	1500 x 66.8 x 39.4	

¹ t [h]: L70/B50 @ 25 °C (Ta) / t [h]: L80/B10 @ 25 °C (Ta)

■ SUPERIOR CLASS ■ PERFORMANCE CLASS ■ VALUE CLASS

TRUSYS® PERFORMANCE EMERGENCY

Luminaire inserts for trunking system TruSys® Performance for standard and emergency lighting

Product name	Segmentation	GTIN (EAN)	RE-PLACEMENT FOR	W	lm	lm/W	K	L70 ¹	L80 ¹	°
TruSys PFM EM W 35 W 4000 K AT 3H	■	4058075291157	2x80W FL	35	5600	160	4000	65000	60000	90
TruSys PFM EM W 50 W 4000 K AT 3H	■	4058075291171	2x80W FL	50	8000	160	4000	65000	60000	90
TruSys PFM EM W 70 W 4000 K AT 3H	■	4058075291195	2x80W FL	70	11200	160	4000	55000	50000	90
TruSys PFM EM VW 35 W 4000 K AT 3H	■	4058075291218	2x80W FL	35	5600	160	4000	65000	60000	120
TruSys PFM EM N 50 W 4000 K AT 3H	■	4058075291232	2x80W FL	50	8000	160	4000	65000	60000	60
TruSys PFM EM N 70 W 4000 K AT 3H	■	4058075291256	2x80W FL	70	11200	160	4000	55000	50000	60
TruSys PFM EM VN 70 W 4000 K AT 3H	■	4058075291270	2x80W FL	70	11200	160	4000	55000	50000	30



Product name	CRI	FLICKER VALUE	ⓘ	L x W x H [mm]	Ø x H [mm]
TruSys PFM EM W 35 W 4000 K AT 3H	≥80	<8 %	1660	1500 x 66.8 x 39.4	
TruSys PFM EM W 50 W 4000 K AT 3H	≥80	<8 %	1660	1500 x 66.8 x 39.4	
TruSys PFM EM W 70 W 4000 K AT 3H	≥80	<8 %	1660	1500 x 66.8 x 39.4	
TruSys PFM EM VW 35 W 4000 K AT 3H	≥80	<8 %	1660	1500 x 66.8 x 39.4	
TruSys PFM EM N 50 W 4000 K AT 3H	≥80	<8 %	1660	1500 x 66.8 x 39.4	
TruSys PFM EM N 70 W 4000 K AT 3H	≥80	<8 %	1660	1500 x 66.8 x 39.4	
TruSys PFM EM VN 70 W 4000 K AT 3H	≥80	<8 %	1660	1500 x 66.8 x 39.4	

EMERGENCY LIGHTING PROPERTIES

Product name	Battery life in emergency operation mode	Type of emergency operation test	Type of emergency light operation	Luminous flux in emergency operation mode	Type of Battery
TruSys PFM EM W 35 W 4000 K AT 3H	3 h	Automatic	Maintained/Non-maintained	600 lm	LiFePO4
TruSys PFM EM W 50 W 4000 K AT 3H	3 h	Automatic	Maintained/Non-maintained	600 lm	LiFePO4
TruSys PFM EM W 70 W 4000 K AT 3H	3 h	Automatic	Maintained/Non-maintained	600 lm	LiFePO4
TruSys PFM EM VW 35 W 4000 K AT 3H	3 h	Automatic	Maintained/Non-maintained	600 lm	LiFePO4
TruSys PFM EM N 50 W 4000 K AT 3H	3 h	Automatic	Maintained/Non-maintained	600 lm	LiFePO4
TruSys PFM EM N 70 W 4000 K AT 3H	3 h	Automatic	Maintained/Non-maintained	600 lm	LiFePO4
TruSys PFM EM VN 70 W 4000 K AT 3H	3 h	Automatic	Maintained/Non-maintained	600 lm	LiFePO4

¹ t [h]: L70/B50 @ 25 °C (Ta) / t [h]: L80/B10 @ 25 °C (Ta)

TRUSYS® PERFORMANCE

Trunking system - Energy rails



- High flexibility thanks to two available lengths (1500 mm, 3000 mm and 1500 mm end rail)
- Simple installation
- Steel-sheet housing
- Internal power supply at the first luminaire with separate feeder
- Through-wired with 5-pin or 8-pin cable
- End-Rail without electrical and mechanical connectors

AREAS OF APPLICATION


- Industry halls, high rack warehouse, garages, hardware stores

EQUIPMENT / ACCESSORIES

- Various accessories available*

TRUSYS® PERFORMANCE ENERGY RAILS

Mounting rails for trunking system TruSys® Performance

Product name	GTIN (EAN)	L x W x H [mm] Ø x H [mm]	MATERIAL	COLOR	
TruSys PFM ENERGY RAIL 5P 1500	4058075299443	1650x70x39	Steel	White	10
TruSys PFM ENERGY RAIL 5P 1500	4058075299566	1650x70x39	Steel	White	1
TruSys PFM ENERGY RAIL 5P 1500 END	4058075354753	1500x70x39	Steel	White	1
TruSys PFM ENERGY RAIL 5P 3000	4058075299498	3150x70x39	Steel	White	10
TruSys PFM ENERGY RAIL 5P 3000	4058075354777	3150x70x39	Steel	White	1
TruSys PFM ENERGY RAIL 8P 1500	4058075299504	1650x70x39	Steel	White	10
TruSys PFM ENERGY RAIL 8P 1500	4058075299573	1650x70x39	Steel	White	1
TruSys PFM ENERGY RAIL 8P 1500 END	4058075299559	1500x70x39	Steel	White	10
TruSys PFM ENERGY RAIL 8P 1500 END	4058075354760	1500x70x39	Steel	White	1
TruSys PFM ENERGY RAIL 8P 3000	4058075354784	3150x70x39	Steel	White	1
TruSys PFM ENERGY RAIL 8P 3000	4058075299450	3150x70x39	Steel	White	10

* Please note: available = available as an optional accessory.

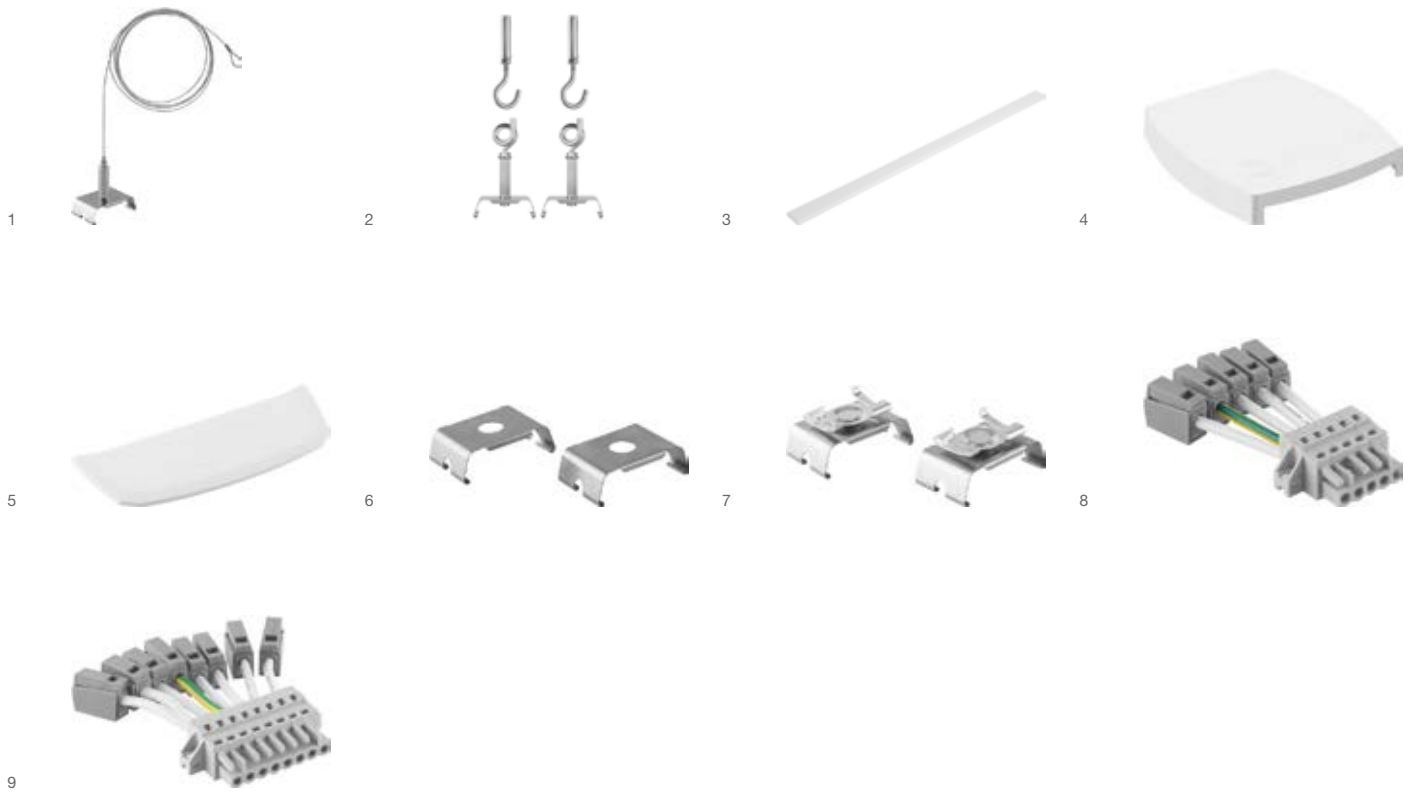
¹ Refer to www.ledvance.com/guarantee for precise conditions





TRUSYS® PERFORMANCE

Trunking system - Accessories



- Suspension Kit: wire suspension with bracket and 3 m steel cable
- Chain Kit: set consists of 2 mounting brackets and swing hooks
- End Cap Energy rail: End cap for track and luminaire carrier in one
- EndCap Low Energy Rail: End cap only for track
- Surface Clip: set consists of 2 mounting clips for ceiling mounting
- Grid Ceiling Clip: 1 mounting clip for surface mounting on grid ceilings

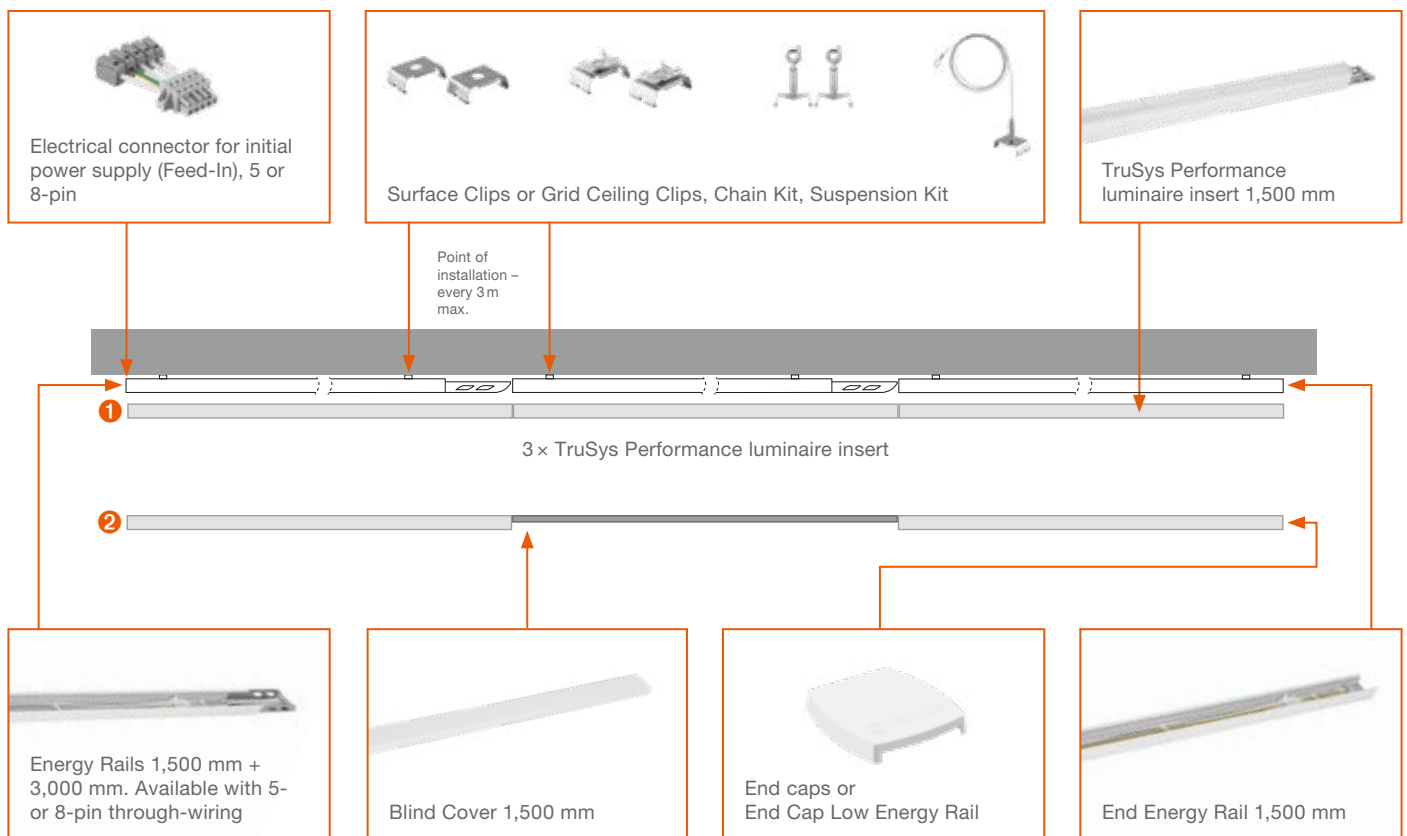
Product name	GTIN (EAN)	L x W x H [mm] Ø x H [mm]	MATERIAL	COLOR	No.	No.
TruSys PFM Suspension Kit	4058075284234	3000 x 35 x 65	Steel	White	2	1
TruSys PFM Chain Kit	4058075284258	90 x 28 x 10	Steel	White	2	2
TruSys PFM Blind Cover	4058075284296	1500 x 73 x 20	Polycarbonate (PC)	White	1	3
TruSys PFM End Cap Energy Rail	4058075284319	78 x 72 x 13	Polycarbonate (PC)	White	2	4
NEW TruSys PFM End Cap Low Energy Rail	4058075464926	27 x 66 x 6	Polycarbonate (PC)	White	2	5
TruSys PFM Surface Clip	4058075284333	57 x 35 x 18	Steel	Silver	2	6
TruSys PFM Grid Ceiling Clip	4058075284609	57 x 35 x 26	Steel	Silver	2	7
TruSys PFM Feed-in 5P	4058075284623	85 x 55 x 15	Polycarbonate (PC)	Silver	1	8
TruSys PFM Feed-in 8P	4058075284647	85 x 55 x 15	Polycarbonate (PC)	Silver	1	9

¹ Refer to www.ledvance.com/guarantee for precise conditions

OUR CHECKLIST FOR YOUR PERFECT TRUSYS PERFORMANCE SOLUTION

Example installation: So you can install a tailor-made TruSys Performance lighting system for your customers we have put together a summary of the components you'll need for individual luminaires or strip lighting. With appropriate accessories depending on the type of mounting (surface or suspended). For simple strip lighting the mechanical and electrical connectors are already integrated in the trunking.

TRUSYS PERFORMANCE INSTALLATION ① WITHOUT AND ② WITH BLIND COVER



For more information on installation and components see the operating instructions for the relevant TruSys Performance model.

FOR INSTALLATION YOU WILL NEED:

- 1 × TruSys Performance Feed-in (5- or 8-pin)
- X × TruSys Performance Energy Rail 5- or 8-pin (available as a collective (10 ×) or single unit)
- 1 × TruSys Performance End Energy Rail
- X × TruSys Performance LED luminaire insert (TruSys Performance Blind Cover as required)
- X × Accessories depending on type of mounting (surface or suspended)
- 1 × Set TruSys Performance End Cap Energy Rail or End Cap Low Energy Rail



TRUSYS PERFORMANCE REQUIREMENTS TABLE



Requirements table for sample strip lighting when allocating luminaire inserts to every second insert adapter (50 %) or every third insert adapter (33 %) on the mounting rails (Energy Rail).

50 %								
Length of strip lighting	TruSys PFM luminaire insert	Blind cover	3m rail	1.5m rail	End rail	Min. installation points ¹	Feed-in adapter	End caps
4.5m	2	1	1	0	1	2	1	2
7.5m	3	2	2	0	1	3	1	2
10.5m	4	3	3	0	1	4	1	2
13.5m	5	4	4	0	1	5	1	2
16.5m	6	5	5	0	1	6	1	2
19.5m	7	6	6	0	1	7	1	2
22.5m	8	7	7	0	1	8	1	2
25.5m	9	8	8	0	1	9	1	2
28.5m	10	9	9	0	1	10	1	2
31.5m	11	10	10	0	1	11	1	2
34.5m	12	11	11	0	1	12	1	2
37.5m	13	12	12	0	1	13	1	2
40.5m	14	13	13	0	1	14	1	2
43.5m	15	14	14	0	1	15	1	2
46.5m	16	15	15	0	1	16	1	2
49.5m	17	16	16	0	1	17	1	2

33 %								
Length of strip lighting	TruSys PFM luminaire insert	Blind cover	3m rail	1.5m rail	End rail	Min. installation points ¹	Feed-in adapter	End caps
6.0m	2	2	1	1	1	3	1	2
10.5m	3	4	3	0	1	4	1	2
15.0m	4	6	4	1	1	6	1	2
19.5m	5	8	5	0	1	7	1	2
24.0m	6	10	7	1	1	9	1	2
28.5m	7	12	9	0	1	10	1	2
33.0m	8	14	10	1	1	12	1	2
37.5m	9	16	12	0	1	13	1	2
42.0m	10	18	13	1	1	15	1	2
46.5m	11	20	15	0	1	16	1	2
51.0m	12	22	16	1	1	18	1	2

Luminaire insert 1,500 mm

Blind cover 1,500 mm

All figures mentioned are based on a single installation; deviations from the content possible as per EAN. For precise light planning for your project, please contact your sales representative.
¹ Calculation based on a distance of 0.75 m from the start and end of the rail to the first and last installation point. Additional installation points every 3 m max.



TRUSYS®

High quality trunking system for a wide range of applications



PRODUCT FEATURES

- Luminaire carrier made of high-quality aluminum
- Lifetime (L80/B10): up to 50,000 h (at 25 °C)
- Fixed energy taps for electrical connection
- Mounting clips not visible after installation

PRODUCT BENEFITS

- Luminous efficacy: up to 135 lm/ W
- Innovative optical design with a rod lense-technology over the entire length of the luminaire
- Rows of up to 81 luminaires and a overall length of 124 m possible
- Energy savings of up to 65 % compared to luminaires with 2 x 80 W T5 lamps
- Flexible application through a wide range of beam angles including asymmetrical optics

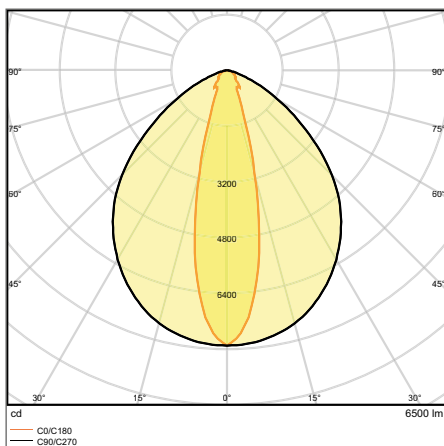
AREAS OF APPLICATION

- Direct replacement for luminaires with compact fluorescent lamps
- Industry halls, high rack warehouse, garages, hardware stores
- Discounters, supermarkets

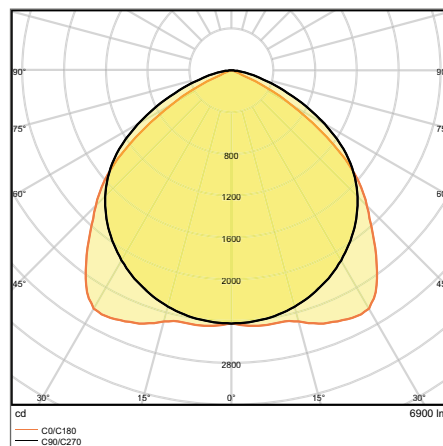
EQUIPMENT / ACCESSORIES

- Mounting rail with fixed integrated 5- (On-Off) / 7-pole (DALI) cable

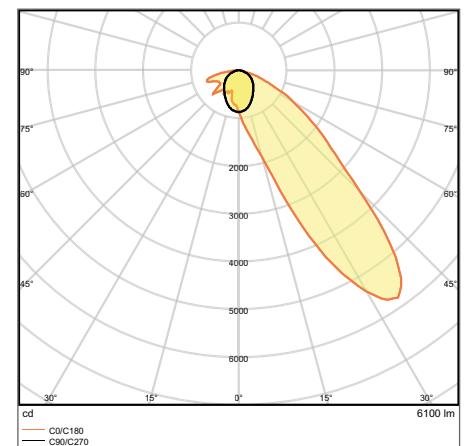
FURTHER PRODUCT DETAILS



TRUSYS 53 W 6500 K NFL



TRUSYS 53 W 6500 K K

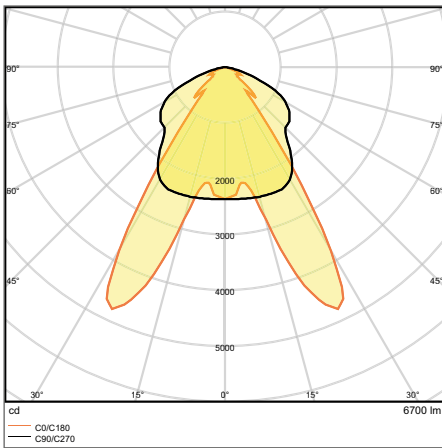


TRUSYS 53 W 6500 K WW

¹ Refer to www.ledvance.com/guarantee for precise conditions

The pictures shown in the catalog are for illustration purposes only. For information on size and color, please refer to the product table.

FURTHER PRODUCT DETAILS



TRUSYS 53 W 6500 K DA

TRUSYS®

Luminaire inserts for trunking system TruSys®: ON/OFF und DALI

Product name	Segmentation	GTIN (EAN)	RE-PLACEMENT FOR	W	lm	lm/W	K	L70	L80	△	⌚
TruSys W 53 W 3000 K SI	■	4058075100459	2x80W FL	53	6600	125	3000	75000	50000	105	-
TruSys W 53 W 4000 K SI	■	4058075100473	2x80W FL	53	7200	135	4000	75000	50000	105	-
TruSys W 53 W 6500 K SI	■	4058075100497	2x80W FL	53	6900	130	6500	75000	50000	105	-
TruSys NFL 53 W 3000 K SI	■	4058075100510	2x80W FL	53	6200	115	3000	75000	50000	25	-
TruSys NFL 53 W 4000 K SI	■	4058075100534	2x80W FL	53	6700	125	4000	75000	50000	25	-
TruSys NFL 53 W 6500 K SI	■	4058075100558	2x80W FL	53	6500	125	6500	75000	50000	25	-
TruSys WW 53 W 3000 K SI	■	4058075100572	2x80W FL	53	5700	110	3000	75000	50000	45	-
TruSys WW 53 W 4000 K SI	■	4058075100596	2x80W FL	53	6300	120	4000	75000	50000	45	-
TruSys WW 53 W 6500 K SI	■	4058075100619	2x80W FL	53	6100	115	6500	75000	50000	45	-
TruSys DA 53 W 3000 K SI	■	4058075100633	2x80W FL	53	6400	120	3000	75000	50000	2 x 35	-
TruSys DA 53 W 4000 K SI	■	4058075100657	2x80W FL	53	6900	130	4000	75000	50000	2 x 35	-
TruSys DA 53 W 6500 K SI	■	4058075100671	2x80W FL	53	6700	125	6500	75000	50000	2 x 35	-
TruSys W 53 W 3000 K SI DALI	■	4058075102460	2x80W FL	53	6600	125	3000	75000	50000	105	DALI
TruSys W 53 W 4000 K SI DALI	■	4058075102484	2x80W FL	53	7200	135	4000	75000	50000	105	DALI
TruSys W 53 W 6500 K SI DALI	■	4058075102507	2x80W FL	53	6900	130	6500	75000	50000	105	DALI
TruSys NFL 53 W 3000 K SI DALI	■	4058075102521	2x80W FL	53	6200	115	3000	75000	50000	25	DALI
TruSys NFL 53 W 4000 K SI DALI	■	4058075102545	2x80W FL	53	6700	125	4000	75000	50000	25	DALI
TruSys NFL 53 W 6500 K SI DALI	■	4058075102569	2x80W FL	53	6500	125	6500	75000	50000	25	DALI
TruSys WW 53 W 3000 K SI DALI	■	4058075102583	2x80W FL	53	5700	110	3000	75000	50000	45	DALI
TruSys WW 53 W 4000 K SI DALI	■	4058075102606	2x80W FL	53	6300	120	4000	75000	50000	45	DALI
TruSys WW 53 W 6500 K SI DALI	■	4058075102620	2x80W FL	53	6100	115	6500	75000	50000	45	DALI
TruSys DA 53 W 3000 K SI DALI	■	4058075102644	2x80W FL	53	6400	120	3000	75000	50000	2 x 35	DALI
TruSys DA 53 W 4000 K SI DALI	■	4058075102668	2x80W FL	53	6900	130	4000	75000	50000	2 x 35	DALI
TruSys DA 53 W 6500 K SI DALI	■	4058075102682	2x80W FL	53	6700	125	6500	75000	50000	2 x 35	DALI



Product name	CRI	FLICKER VALUE	IK	IK	L x W x H [mm] Ø x H [mm]
TruSys W 53 W 3000 K SI	≥80	<5 %	IK07	1740	1534 x 71 x 53
TruSys W 53 W 4000 K SI	≥80	<5 %	IK07	1740	1534 x 71 x 53
TruSys W 53 W 6500 K SI	≥80	<5 %	IK07	1740	1534 x 71 x 53
TruSys NFL 53 W 3000 K SI	≥80	<5 %	IK07	1740	1534 x 71 x 53
TruSys NFL 53 W 4000 K SI	≥80	<5 %	IK07	1740	1534 x 71 x 53
TruSys NFL 53 W 6500 K SI	≥80	<5 %	IK07	1740	1534 x 71 x 53
TruSys WW 53 W 3000 K SI	≥80	<5 %	IK07	1740	1534 x 71 x 53
TruSys WW 53 W 4000 K SI	≥80	<5 %	IK07	1740	1534 x 71 x 53
TruSys WW 53 W 6500 K SI	≥80	<5 %	IK07	1740	1534 x 71 x 53
TruSys DA 53 W 3000 K SI	≥80	<5 %	IK07	1740	1534 x 71 x 53
TruSys DA 53 W 4000 K SI	≥80	<5 %	IK07	1740	1534 x 71 x 53
TruSys DA 53 W 6500 K SI	≥80	<5 %	IK07	1740	1534 x 71 x 53
TruSys W 53 W 3000 K SI DALI	≥80	<5 %	IK07	1800	1534 x 71 x 53
TruSys W 53 W 4000 K SI DALI	≥80	<5 %	IK07	1800	1534 x 71 x 53
TruSys W 53 W 6500 K SI DALI	≥80	<5 %	IK07	1800	1534 x 71 x 53
TruSys NFL 53 W 3000 K SI DALI	≥80	<5 %	IK07	1800	1534 x 71 x 53
TruSys NFL 53 W 4000 K SI DALI	≥80	<5 %	IK07	1800	1534 x 71 x 53
TruSys NFL 53 W 6500 K SI DALI	≥80	<5 %	IK07	1800	1534 x 71 x 53
TruSys WW 53 W 3000 K SI DALI	≥80	<5 %	IK07	1800	1534 x 71 x 53
TruSys WW 53 W 4000 K SI DALI	≥80	<5 %	IK07	1800	1534 x 71 x 53
TruSys WW 53 W 6500 K SI DALI	≥80	<5 %	IK07	1800	1534 x 71 x 53
TruSys DA 53 W 3000 K SI DALI	≥80	<5 %	IK07	1800	1534 x 71 x 53
TruSys DA 53 W 4000 K SI DALI	≥80	<5 %	IK07	1800	1534 x 71 x 53
TruSys DA 53 W 6500 K SI DALI	≥80	<5 %	IK07	1800	1534 x 71 x 53

¹ t [h]: L70/B50 @ 25 °C (Ta) / t [h]: L80/B10 @ 25 °C (Ta)

■ SUPERIOR CLASS ■ PERFORMANCE CLASS ■ VALUE CLASS

TRUSYS®

Trunking system - Energy rails



- High flexibility thanks to three available lengths (1500 mm, 3000 mm, 4500 mm)
- Simple installation
- Rigid housing made of aluminum
- Internal power supply at the first luminaire with separate feeder
- Through-wired with 5-pin or 7-pin cable

AREAS OF APPLICATION

- Industry halls, high rack warehouse, garages, hardware stores
- Discounters, supermarkets

EQUIPMENT / ACCESSORIES

- Various accessories available*

TRUSYS® ENERGY RAILS

Mounting rails for trunking system TruSys®

Product name	GTIN (EAN)	L x W x H [mm] Ø x H [mm]	MATERIAL	COLOR	
TruSys ENERGY RAIL 1500 5X2,5	4058075100299	1535x67x44	Aluminum	Silver	1
TruSys ENERGY RAIL 3000 5X2,5	4058075100312	3070x67x44	Aluminum	Silver	1
TruSys ENERGY RAIL 4500 5X2,5	4058075100336	4605x67x44	Aluminum	Silver	1
TruSys ENERGY RAIL DALI 1500 7X2,5	4058075103450	1535x67x44	Aluminum	Silver	1
TruSys ENERGY RAIL DALI 3000 7X2,5	4058075103474	3068x67x44	Aluminum	Silver	1
TruSys ENERGY RAIL DALI 4500 7X2,5	4058075103498	4601x67x44	Aluminum	Silver	1

* Please note: available = available as an optional accessory.

¹ Refer to www.ledvance.com/guarantee for precise conditions



TRUSYS®

Trunking system - Accessories



- Suspension Kit: wire suspension with bracket and 3 m steel cable
- Blind Cover: 1534 mm
- Electrical Connector: for initial power supply

TRUSYS® ACCESSORIES

Mounting accessories for TruSys®

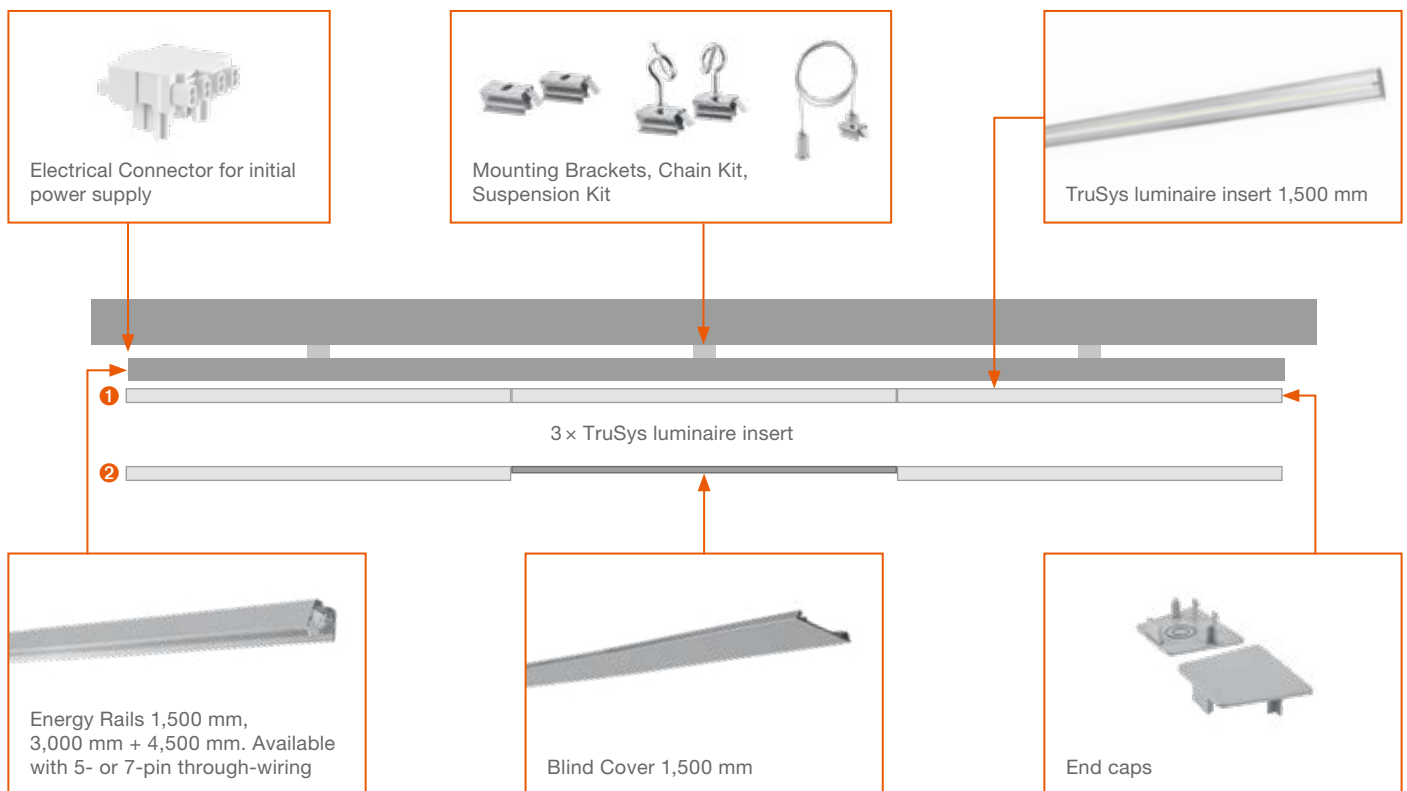
Product name	GTIN (EAN)	L x W x H [mm] Ø x H [mm]	MATERIAL	COLOR	No.	No.
TruSys End Cap Energy Rail	4058075100411	12x67x47	Aluminum	Aluminum	2	1
TruSys Suspension Kit	4058075100350	3000x-x-	Aluminum	Silver	2	2
TruSys Mounting Brackets	4058075100435	30x20x15	Aluminum	Aluminum	2	3
TruSys Chain Kit	4058075100374	44x40x55	Aluminum	Silver	2	4
TruSys Blind Cover	4058075100398	1534x67x12	Aluminum	Silver	1	5
TruSys Electrical Connector	4058075155565	42x41x29	Aluminum	White	1	6
TruSys Electrical Connector DALI	4058075155589	42x41x29	Aluminum	White	1	6

¹ Refer to www.ledvance.com/guarantee for precise conditions

OUR CHECKLIST FOR YOUR PERFECT TRUSYS SOLUTION

Example installation: So you can install a tailor-made TruSys lighting system for your customers we have put together a summary of the components you'll need for individual luminaires or strip lighting. With appropriate accessories depending on the type of mounting (surface or suspended). For simple strip lighting the mechanical and electrical connectors are already integrated in the trunking.

TRUSYS INSTALLATION ❶ WITHOUT AND ❷ WITH BLIND COVER



For more information on installation and components see the operating instructions for the relevant TruSys model.



FOR INSTALLATION YOU WILL NEED:



- 1 × TruSys Electrical Connector (5 × 2.5 or 7 × 2.5)
- X × TruSys Energy Rail
- X × TruSys LED luminaire insert (TruSys Blind Cover as required)
- X × Accessories depending on type of mounting (surface or suspended)
- 1 × Set TruSys End Cap Energy Rail

TRUSYS REQUIREMENTS TABLE



Requirements table for sample strip lighting when allocating luminaire inserts to every second insert adapter (50%) or every third insert adapter (33%) on the mounting rails (Energy Rail).

50 %								
Length of strip lighting	TruSys luminaire insert	Blind cover	4.5 m rail	3 m rail	1.5 m rail	Min. installation points ¹	Feed-in adapter	End caps
4.5 m	2	1	1	0	1	2	1	2
7.5 m	3	2	1	1	0	3	1	2
10.5 m	4	3	2	0	1	4	1	2
13.5 m	5	4	3	0	0	5	1	2
16.5 m	6	5	3	1	0	6	1	2
19.5 m	7	6	4	0	1	7	1	2
22.5 m	8	7	5	0	0	8	1	2
25.5 m	9	8	5	1	0	9	1	2
28.5 m	10	9	6	0	1	10	1	2
31.5 m	11	10	7	0	0	11	1	2
34.5 m	12	11	7	1	0	12	1	2
37.5 m	13	12	8	0	1	13	1	2
40.5 m	14	13	9	0	0	14	1	2
43.5 m	15	14	9	1	0	15	1	2
46.5 m	16	15	10	0	1	16	1	2
49.5 m	17	16	11	0	0	17	1	2

33 %								
Length of strip lighting	TruSys luminaire insert	Blind cover	4.5 m rail	3 m rail	1.5 m rail	Min. installation points ¹	Feed-in adapter	End caps
6.0 m	2	2	1	0	1	3	1	2
10.5 m	3	4	2	0	1	4	1	2
15.0 m	4	6	3	0	1	6	1	2
19.5 m	5	8	4	0	1	7	1	2
24.0 m	6	10	5	0	1	9	1	2
28.5 m	7	12	6	0	1	10	1	2
33.0 m	8	14	7	0	1	12	1	2
37.5 m	9	16	8	0	1	13	1	2
42.0 m	10	18	9	0	1	15	1	2
46.5 m	11	20	10	0	1	16	1	2
51.0 m	12	22	11	0	1	18	1	2

 Luminaire insert 1,500 mm

 Blind cover 1,500 mm

All figures mentioned are based on a single installation; deviations from the content possible as per EAN. For precise light planning for your project, please contact your sales representative.
¹ Calculation based on a distance of 0.75 m from the start and end of the rail to the first and last installation point. Additional installation points every 3 m max.



DAMP-PROOF LUMINAIRES

FIRST-CLASS LIGHTING AND EASY INSTALLATION –
STANDING OUT IN DEMANDING ENVIRONMENTS

DAMP PROOF SPECIAL GEN 2



PERFORMANCE CLASS

Page 136



FOR SPECIAL APPLICATIONS

- Completely sealed for use in agricultural applications
- Also usable in uncovered outdoor areas
- Via the rotatable mounting the luminaire can be fixed in any position for optimal light steering

DAMP PROOF COMPACT IP66



PERFORMANCE CLASS

Page 130



MODERN DAMP-PROOF LUMINAIRE

- Easy access to the terminal thanks to the twist-and-lock mechanism on the end cap
- Movable mounting bracket over the full length allows use of old drill holes
- Fast rewiring thanks to integrated through-wiring

DAMP PROOF



PERFORMANCE CLASS

Page 132

DAMP PROOF
DAMP PROOF DALI
DAMP PROOF 5X THROUGHWIRING
DAMP PROOF EMERGENCY



CLASSIC DAMP-PROOF LUMINAIRE WITH A VARIETY OF OPTIONS

- Wide range of applications (switchable, DALI, through-wired, battery for safety lighting)
- Flexible use through extensive mounting and suspension accessories (included)
- No risk of electrostatic discharge through integration of the LED module into the luminaire cover

DAMP PROOF HOUSING



PERFORMANCE CLASS

Page 138



THE IDEAL CHOICE FOR LAMP FANS

- Sustainable solution thanks to replaceable lamps
- Prewired for easy installation of tubular AC LED lamps
- Robust housing

DAMP PROOF VALUE



VALUE CLASS

Page 142



CLASSIC DESIGN WITH PROVEN FUNCTIONALITY

- Uniform distribution of light
- Energy savings of up to 50 % (compared with luminaires that use fluorescent lamps)
- Easy installation and tool-free connection

DAMP PROOF SLIM VALUE



VALUE CLASS

Page 140



LOW IN FORM AND PRICE

- Homogeneous quality of light with a wide beam angle
- Simple installation thanks to mounting clips that can be freely positioned on the luminaire
- Easy access to the terminal thanks to the snap-on mechanism on the end cap

THE RIGHT DAMP-PROOF LUMINAIRE FOR EVERY OCCASION

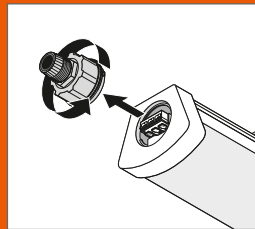
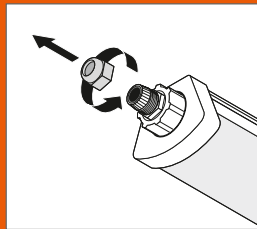
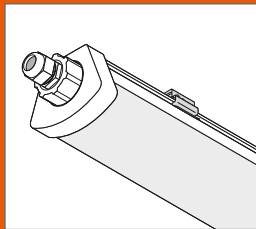
Discover now our broad portfolio which can be used for almost any standard application: In addition to classic versions, our range includes modern design luminaires – both in Performance Class and Value Class. There's also our Damp Proof Special with exceptional performance which is perfect for demanding environments.

OUR LEDVANCE DAMP PROOFS ARE EASY TO MOUNT

Damp Proof Compact



INSTALLATION IN NO TIME AT ALL USING THE DAMP PROOF COMPACT AS AN EXAMPLE



The end caps with their “Twist & Lock” mechanism allow for quick tool-free electrical connection.

THROUGH-WIRING OF DAMP PROOFS AT A GLANCE

	Material	Application	Lifetime ¹ Guarantee ²	One-sided connection	3 x 1.5 mm ² through-wiring preinstalled	5 x 2.5 mm ² through-wiring preinstalled	DALI	Emergency lighting function
DP Special	PMMA		50,000 h L80 5 years		✓			
DP Compact	PC, stainless steel		50,000 h L70 5 years		✓			
DP Slim Value	PC, stainless steel		30,000 h L70 3 years	✓				
DP LED	PC, stainless steel		50,000 h L70 5 years	✓	Through-wiring possible ³	39 W 4,000 K 55 W 4,000 K	✓	✓
DP VALUE	PC, stainless steel		50,000 h L70 3 years	✓	Through-wiring possible ³	Through-wiring possible ³		
DP Housing	PC, stainless steel		5 years	✓	Through-wiring possible ³	Through-wiring possible ³		

¹ t [h]: L70/B50 @ 25 °C (T_a) / t [h]: L80/B10 @ 25 °C (T_a) | ² For precise terms and conditions go to www.ledvance.com/guarantee

³ The product is technically equipped for through-wiring. Additional components may be required. Please refer to the operating instructions for accessories included.

DAMP PROOF COMPACT IP66

Damp-proof luminaire, through-wired (L, N, E)



PRODUCT FEATURES

- Polycarbonate housing with stainless steel mounting brackets and suspension and anti-theft kit
- Through-wiring cable 3x1.5mm² already installed
- Type of protection: IP66
- Ambient temperature in operation: -30...+50 °C
- High luminous efficacy: up to 120 lm/W

PRODUCT BENEFITS

- Easy access to electrical terminal thanks end caps with twist and lock mechanism
- Movable mounting bracket over the full length allows use of old drill holes
- Fast rewiring thanks to integrated through-wiring
- Tool-free electrical connection due to push button connector
- 5 years guarantee

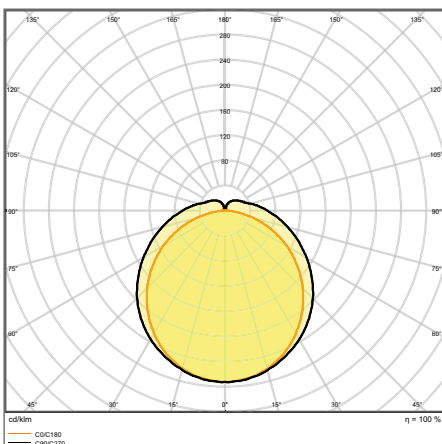
AREAS OF APPLICATION

- Industrial and storage facilities
- Car parks and underpasses
- Garages
- Workshops, assembly lines

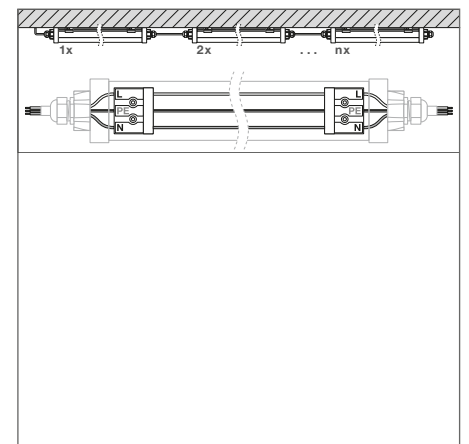
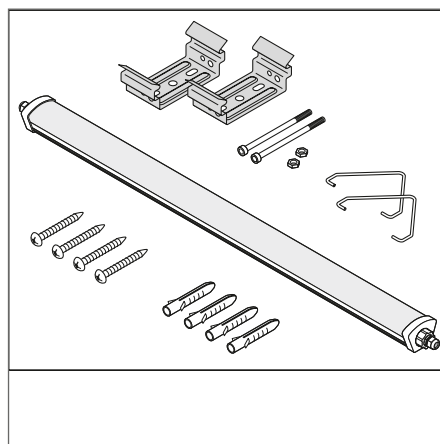
EQUIPMENT / ACCESSORIES

- Stainless steel clamps with safety screws included
- Mounting accessories included (suspension kit, theft protection kit)

FURTHER PRODUCT DETAILS



DP COMPACT 1500 55 W 4000K IP66 GR



¹ Refer to www.ledvance.com/guarantee for precise conditions

The pictures shown in the catalog are for illustration purposes only. For information on size and color, please refer to the product table.

Product name	Segmentation	GTIN (EAN)	RE-PLACE-MENT-FOR	W	lm	lm/W	K	L70 ¹	L80 ¹	°
DP COMPACT 1200 23W/3000K IP66 GR	■	4058075424227	1x36W FL	23	2600	115	3000	50000	35000	120
DP COMPACT 1200 23 W 4000K IP66 GR	■	4058075210028	1x36W FL	23	2800	120	4000	50000	35000	120
DP COMPACT 1200 44W/3000K IP66 GR	■	4058075424241	2x36W FL	44	5100	115	3000	50000	35000	120
DP COMPACT 1200 44 W 4000K IP66 GR	■	4058075210042	2x36W FL	44	5400	120	4000	50000	35000	120
DP COMPACT 1200 44 W 6500K IP66 GR	■	4058075210066	2x36W FL	44	5400	120	6500	50000	35000	120
DP COMPACT 1500 31W/3000K IP66 GR	■	4058075424265	1x58W FL	31	3500	115	3000	50000	35000	120
DP COMPACT 1500 31 W 4000K IP66 GR	■	4058075210080	1x58W FL	31	3800	120	4000	50000	35000	120
DP COMPACT 1500 55W/3000K IP66 GR	■	4058075424289	2x58W FL	55	6300	115	3000	50000	35000	120
DP COMPACT 1500 55 W 4000K IP66 GR	■	4058075210103	2x58W FL	55	6700	120	4000	50000	35000	120
DP COMPACT 1500 55 W 6500K IP66 GR	■	4058075210127	2x58W FL	55	6700	120	6500	50000	35000	120



Product name	CRI	IK	g	L x W x H [mm] Ø x H [mm]
DP COMPACT 1200 23W/3000K IP66 GR	>80	IK08	1120	1290 x 86 x 68
DP COMPACT 1200 23 W 4000K IP66 GR	>80	IK08	1120	1290 x 86 x 68
DP COMPACT 1200 44W/3000K IP66 GR	>80	IK08	1160	1290 x 86 x 68
DP COMPACT 1200 44 W 4000K IP66 GR	>80	IK08	1160	1290 x 86 x 68
DP COMPACT 1200 44 W 6500K IP66 GR	>80	IK08	1160	1290 x 86 x 68
DP COMPACT 1500 31W/3000K IP66 GR	>80	IK08	1350	1590 x 86 x 68
DP COMPACT 1500 31 W 4000K IP66 GR	>80	IK08	1350	1590 x 86 x 68
DP COMPACT 1500 55W/3000K IP66 GR	>80	IK08	1380	1590 x 86 x 68
DP COMPACT 1500 55 W 4000K IP66 GR	>80	IK08	1380	1590 x 86 x 68
DP COMPACT 1500 55 W 6500K IP66 GR	>80	IK08	1380	1590 x 86 x 68

¹ t [h]: L70/B50 @ 25 °C (Ta) / t [h]: L80/B10 @ 25 °C (Ta)

DAMP PROOF

Damp-proof luminaires



PRODUCT FEATURES

- Polycarbonate housing with stainless steel mounting brackets and suspension and anti-theft kit
- Available as switchable, 5 x 2.5 sqmm through-wired, DALI and emergency 3h battery
- Type of protection: IP65
- Ambient temperature range during operation: -30° C to +40° C
- High luminous efficacy: up to 115 lm/W

PRODUCT BENEFITS

- Wide range of applications (switchable, DALI, through-wired, battery for safety lighting)
- Flexible use through extensive mounting and suspension accessories (included)
- D-marking for mounting on surfaces with limited surface temperature
- Energy savings of up to 50 % (compared to luminaires that use fluorescent lamps)
- All versions with 5-year guarantee, except emergency version: 3 years (built-in 3h battery)

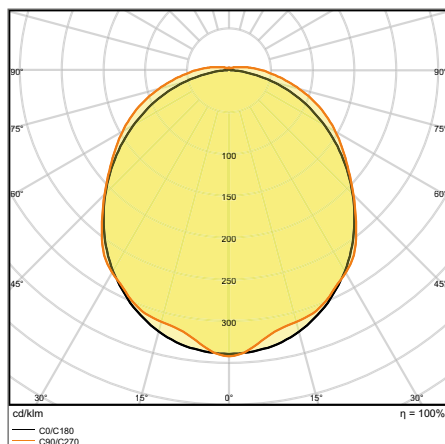
AREAS OF APPLICATION

- Industrial and storage facilities
- Car parks and underpasses
- Garages
- Workshops, assembly lines

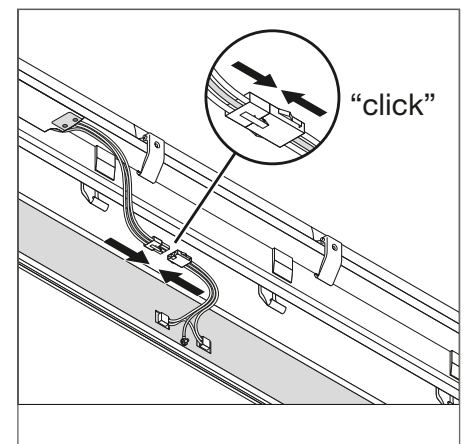
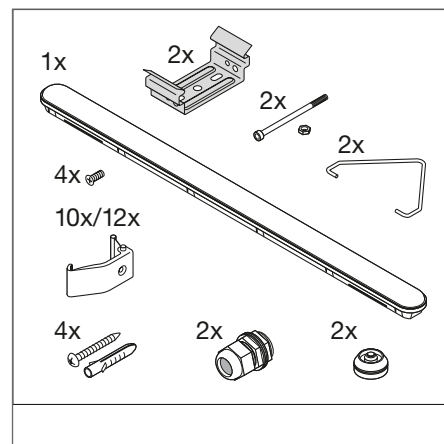
EQUIPMENT / ACCESSORIES

- Stainless steel clamps with safety screws included
- Mounting accessories included (suspension kit, theft protection kit)

FURTHER PRODUCT DETAILS



DP 1200 21 W 4000K IP65 GY



¹ The Damp Proof luminaires are certified as follows: On / Off versions and versions for through-wiring: TÜV Süd, DALI versions: ENEC 25, Emergency versions: CE.

² 5 years of guarantee apply to all product types with the exception of the emergency version (3-year guarantee).

The pictures shown in the catalog are for illustration purposes only. For information on size and color, please refer to the product table.

DAMP PROOF

Damp-proof luminaires, classic shape

Product name	Segmentation	GTIN (EAN)	RE-PLACEMENT FOR	W	lm	lm/W	K	L70 ¹	L80 ¹	△	⌚
DP 1200 21 W 4000K IP65 GY	■	4058075079892	1x36W FL	21	2400	115	4000	50000	35000	105	-
DP 1200 21 W 6500 K IP65 GY	■	4058075218024	1x36W FL	21	2400	115	6500	50000	35000	105	-
DP 1200 39 W 4000K IP65 GY	■	4058075079915	2x36W FL	39	4400	115	4000	50000	35000	105	-
DP 1200 39 W 6500K IP65 GY	■	4058075079854	2x36W FL	39	4400	115	6500	50000	35000	105	-
DP 1500 30 W 4000K IP65 GY	■	4058075079939	1x58W FL	30	3500	115	4000	50000	35000	105	-
DP 1500 30 W 6500 K IP65 GY	■	4058075218048	1x58W FL	30	3500	115	6500	50000	35000	105	-
DP 1500 55 W 4000K IP65 GY	■	4058075079953	2x58W FL	55	6400	115	4000	50000	35000	105	-
DP 1500 55 W 6500K IP65 GY	■	4058075079878	2x58W FL	55	6400	115	6500	50000	35000	105	-
DP DALI 1200 21 W 4000 K IP65 GY	■	4058075130913	1x36W FL	21	2400	115	4000	50000	35000	105	DALI
DP DALI 1200 21 W 6500 K IP65 GY	■	4058075218062	1x36W FL	21	2400	115	6500	50000	35000	105	DALI
DP DALI 1200 39 W 4000 K IP65 GY	■	4058075130937	2x36W FL	39	4400	115	4000	50000	35000	105	DALI
DP DALI 1200 39 W 6500 K IP65 GY	■	4058075210141	2x36W FL	39	4400	115	6500	50000	35000	105	DALI
DP DALI 1500 30 W 4000 K IP65 GY	■	4058075130975	1x58W FL	30	3500	115	4000	50000	35000	105	DALI
DP DALI 1500 30 W 6500 K IP65 GY	■	4058075218086	1x58W FL	30	3500	115	6500	50000	35000	105	DALI
DP DALI 1500 55 W 4000 K IP65 GY	■	4058075130999	2x58W FL	55	6400	115	4000	50000	35000	105	DALI
DP DALI 1500 55 W 6500 K IP65 GY	■	4058075210165	2x58W FL	55	6400	115	6500	50000	35000	105	DALI



Product name	CRI	IK	g	L x W x H [mm]	∅ x H [mm]
DP 1200 21 W 4000K IP65 GY	>80	IK08	1650	1200x95x78	
DP 1200 21 W 6500 K IP65 GY	>80	IK08	1650	1200x95x78	
DP 1200 39 W 4000K IP65 GY	>80	IK08	1650	1200x95x78	
DP 1200 39 W 6500K IP65 GY	>80	IK08	1650	1200x95x78	
DP 1500 30 W 4000K IP65 GY	>80	IK08	2300	1500x95x78	
DP 1500 30 W 6500 K IP65 GY	>80	IK08	2300	1500x95x78	
DP 1500 55 W 4000K IP65 GY	>80	IK08	2300	1500x95x78	
DP 1500 55 W 6500K IP65 GY	>80	IK08	2300	1500x95x78	
DP DALI 1200 21 W 4000 K IP65 GY	>80	IK08	1650	1200x95x78	
DP DALI 1200 21 W 6500 K IP65 GY	>80	IK08	1650	1200x95x78	
DP DALI 1200 39 W 4000 K IP65 GY	>80	IK08	1650	1200x95x78	
DP DALI 1200 39 W 6500 K IP65 GY	>80	IK08	1650	1200x95x78	
DP DALI 1500 30 W 4000 K IP65 GY	>80	IK08	2300	1500x95x78	
DP DALI 1500 30 W 6500 K IP65 GY	>80	IK08	2300	1500x95x78	
DP DALI 1500 55 W 4000 K IP65 GY	>80	IK08	2300	1500x95x78	
DP DALI 1500 55 W 6500 K IP65 GY	>80	IK08	2300	1500x95x78	

DAMP PROOF 5x THROUGHWIRING

Damp-proof luminaires, classic shape with 5x2.5mm² throughwiring

Product name	Segmentation	GTIN (EAN)	RE-PLACEMENT FOR	W	lm	lm/W	K	L70 ¹	L80 ¹	△
DP 5x TH 39 W 4000 K IP65 GY	■	4058075319240	2x36W FL	39	4400	115	4000	50000	35000	105
DP 5x TH 55 W 4000 K IP65 GY	■	4058075319325	2x58W FL	55	6400	115	4000	50000	35000	105



Product name	CRI	IK	g	L x W x H [mm]	∅ x H [mm]
DP 5x TH 39 W 4000 K IP65 GY	>80	IK08	1839.3	1200x95x78	
DP 5x TH 55 W 4000 K IP65 GY	>80	IK08	2539.3	1500x95x78	

¹ t [h]: L70/B50 @ 25 °C (Ta) / t [h]: L80/B10 @ 25 °C (Ta)

DAMP PROOF EMERGENCY

Damp-proof luminaires, classic shape with integrated emergency lighting function

Product name	Segmentation	GTIN (EAN)	RE-PLACEMENT FOR	W	lm	lm/W	K	L70 ¹	L80 ¹	⌚
DAMP PROOF EM 1200 21 W 4000 K AT 3H	■	4058075203969	1x36W FL	21	2400	115	4000	50000	35000	105
DAMP PROOF EM 1200 39 W 4000 K AT 3H	■	4058075203983	2x36W FL	39	4400	115	4000	50000	35000	105
DAMP PROOF EM 1200 39 W 6500 K AT 3H	■	4058075204003	2x36W FL	39	4400	115	6500	50000	35000	105
DAMP PROOF EM 1500 30 W 4000 K AT 3H	■	4058075204027	1x58W FL	30	3500	115	4000	50000	35000	105
DAMP PROOF EM 1500 55 W 4000 K AT 3H	■	4058075204041	2x58W FL	55	6400	115	4000	50000	35000	105
DAMP PROOF EM 1500 55 W 6500 K AT 3H	■	4058075204065	2x58W FL	55	6400	115	6500	50000	35000	105



Product name	CRI	IK	g	L x W x H [mm]	Ø x H [mm]
DAMP PROOF EM 1200 21 W 4000 K AT 3H	>80	IK08	2150	1200x95x78	
DAMP PROOF EM 1200 39 W 4000 K AT 3H	>80	IK08	2150	1200x95x78	
DAMP PROOF EM 1200 39 W 6500 K AT 3H	>80	IK08	2150	1200x95x78	
DAMP PROOF EM 1500 30 W 4000 K AT 3H	>80	IK08	2800	1500x95x78	
DAMP PROOF EM 1500 55 W 4000 K AT 3H	>80	IK08	2800	1500x95x78	
DAMP PROOF EM 1500 55 W 6500 K AT 3H	>80	IK08	2800	1500x95x78	

EMERGENCY LIGHTING PROPERTIES

Product name	Battery life in emergency operation mode	Type of emergency operation test	Type of emergency light operation	Luminous flux in emergency operation mode	Type of Battery
DAMP PROOF EM 1200 21 W 4000 K AT 3H	3 h	Automatic	Maintained/Non-maintained	500 lm	LiFeP04
DAMP PROOF EM 1200 39 W 4000 K AT 3H	3 h	Automatic	Maintained/Non-maintained	500 lm	LiFeP04
DAMP PROOF EM 1200 39 W 6500 K AT 3H	3 h	Automatic	Maintained/Non-maintained	500 lm	LiFeP04
DAMP PROOF EM 1500 30 W 4000 K AT 3H	3 h	Automatic	Maintained/Non-maintained	500 lm	LiFeP04
DAMP PROOF EM 1500 55 W 4000 K AT 3H	3 h	Automatic	Maintained/Non-maintained	500 lm	LiFeP04
DAMP PROOF EM 1500 55 W 6500 K AT 3H	3 h	Automatic	Maintained/Non-maintained	500 lm	LiFeP04

¹ t [h]: L70/B50 @ 25 °C (Ta) / t [h]: L80/B10 @ 25 °C (Ta)



DAMP PROOF SPECIAL GEN 2

Tubular damp-proof luminaire with extra high IP rating, ammonium-resistant and for outdoor applications



PRODUCT FEATURES

- Sealed housing made of PMMA
- Ammonium resistant
- Type of protection: IP67 (DIN EN 60529), IP69K (ISO 20653:2013)
- Through-wiring cable already installed in the luminaire

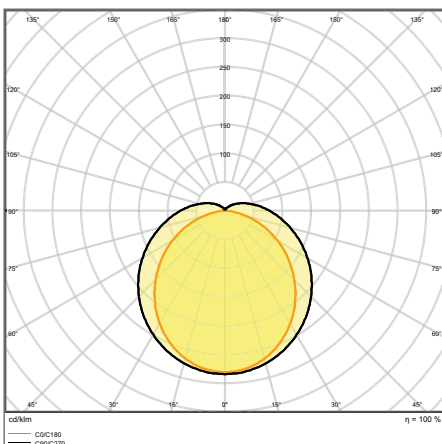
PRODUCT BENEFITS

- Completely sealed for use in agricultural applications
- Also usable in uncovered outdoor areas
- Via the rotatable mounting the luminaire can be fixed in any position for optimal light steering
- Easy installation as mounting brackets can be positioned freely on the luminaire
- 5 years guarantee

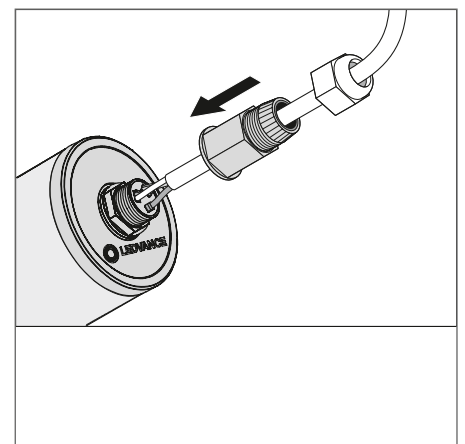
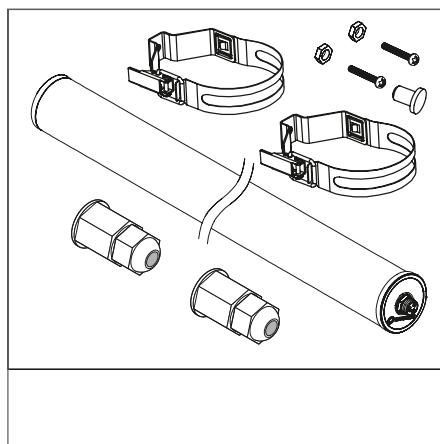
AREAS OF APPLICATION

- Keeping farm animals except poultry
- Food industry
- Open car parks and underpasses
- Garages
- Workshops, assembly lines

FURTHER PRODUCT DETAILS



DP SPECIAL 1500 50 W 4000 K WT IP67



¹ Refer to www.ledvance.com/guarantee for precise conditions

The pictures shown in the catalog are for illustration purposes only. For information on size and color, please refer to the product table.

Product name		Segmentation	GTIN (EAN)	RE-PLACEMENT FOR	W	lm	lm/W	K	L70 ¹	L80 ¹	
NEW	DP SPECIAL 1200 22 W 4000 K WT IP67	■	4058075452114	2x58W FL	22	2800	130	4000	80000	50000	120
NEW	DP SPECIAL 1200 42 W 4000 K WT IP67	■	4058075452152	2x58W FL	42	5500	130	4000	80000	50000	120
NEW	DP SPECIAL 1500 30 W 4000 K WT IP67	■	4058075452138	2x58W FL	30	3900	130	4000	80000	50000	120
NEW	DP SPECIAL 1500 50 W 4000 K WT IP67	■	4058075452176	2x58W FL	50	6500	130	4000	80000	50000	120

Product name		CRI	FLICKER VALUE	IK		L x W x H [mm] Ø x H [mm]
NEW	DP SPECIAL 1200 22 W 4000 K WT IP67	≥80	≤5 %	IK06	1130	1200x82
NEW	DP SPECIAL 1200 42 W 4000 K WT IP67	≥80	≤5 %	IK06	1130	1200x82
NEW	DP SPECIAL 1500 30 W 4000 K WT IP67	≥80	≤5 %	IK06	1420	1500x82
NEW	DP SPECIAL 1500 50 W 4000 K WT IP67	≥80	≤5 %	IK06	1460	1500x82

¹ t [h]: L70/B50 @ 25 °C (Ta) / t [h]: L80/B10 @ 25 °C (Ta)

DAMP PROOF HOUSING

Damp-proof luminaire for T8 LED lamps



PRODUCT FEATURES

- Housing made of robust polycarbonate (PC), gray
- Suitable for SubstiTUBE EM/UN and SubstiTUBE Connected
- Luminaire housing, available for 1 or 2 T8 LED lamps
- Type of protection: IP65
- Impact resistance: IK08

PRODUCT BENEFITS

- Sustainable solution thanks to exchangeable lamps
- Prewired for easy installation of tubular AC LED lamps
- Robust housing
- Easy and quick installation
- 5 years guarantee

EQUIPMENT / ACCESSORIES

- All required accessories included

Product name	Segmentation	GTIN (EAN)				L x W x H [mm] Ø x H [mm]
DP HOUSING 600 1x Lamp IP65	■	4058075312395	105	IK08	600	651 x 64 x 75
DP HOUSING 600 2x Lamp IP65	■	4058075312418	105	IK08	850	651 x 103 x 75
DP HOUSING 1200 1x Lamp IP65	■	4058075312432	105	IK08	1000	1261 x 64 x 75
DP HOUSING 1200 2x Lamp IP65	■	4058075312456	105	IK08	1300	1261 x 103 x 75
DP HOUSING 1500 1x Lamp IP65	■	4058075312470	105	IK08	1300	1561 x 64 x 75
DP HOUSING 1500 2x Lamp IP65	■	4058075312494	105	IK08	1850	1561 x 103 x 75

¹ Refer to www.ledvance.com/guarantee for precise conditions

The pictures shown in the catalog are for illustration purposes only. For information on size and color, please refer to the product table.

■ SUPERIOR CLASS ■ PERFORMANCE CLASS ■ VALUE CLASS



DAMP PROOF SLIM VALUE

Damp-proof luminaire with slim housing



PRODUCT FEATURES

- Polycarbonate housing with stainless steel mounting brackets and suspension and anti-theft kit
- Type of protection: IP65
- Wide beam angle: 120°
- High luminous efficacy: up to 110 lm/W

PRODUCT BENEFITS

- Homogeneous quality of light with a wide beam angle
- Easy installation as mounting brackets can be positioned freely on the luminaire
- Easy access to electrical terminal thanks end caps with clip mechanism
- Elegant, slim design
- Tool-free electrical connection due to push button connector

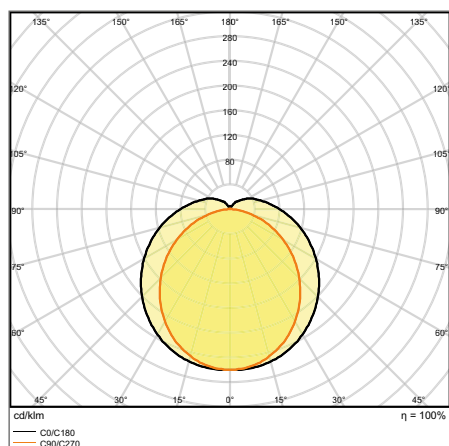
AREAS OF APPLICATION

- Industrial and storage facilities
- Car parks and underpasses
- Garages
- Workshops, assembly lines

EQUIPMENT / ACCESSORIES

- Stainless steel clamps with safety screws included
- Mounting accessories included (suspension kit, theft protection kit)

FURTHER PRODUCT DETAILS



DP SLIM VALUE 1500 50 W 4000 K IP65 GY

¹ Refer to www.ledvance.com/guarantee for precise conditions

The pictures shown in the catalog are for illustration purposes only. For information on size and color, please refer to the product table.

Product name	Segmentation	GTIN (EAN)	RE- PLACE- MENT FOR	W	lm	lm/W	K	L70 ¹	L80 ¹	°
DP SLIM VALUE 1200 36 W 4000 K IP65 GY	■	4058075066458	2x36W FL	36	4000	110	4000	30000	27000	120
DP SLIM VALUE 1200 36 W 6500 K IP65 GY	■	4058075066472	2x36W FL	36	4000	110	6500	30000	27000	120
DP SLIM VALUE 1500 50 W 4000 K IP65 GY	■	4058075066496	2x58W FL	50	5500	110	4000	30000	27000	120
DP SLIM VALUE 1500 50 W 6500 K IP65 GY	■	4058075066519	2x58W FL	50	5500	110	6500	30000	27000	120



Product name	CRI	IK	L x W x H [mm] Ø x H [mm]
DP SLIM VALUE 1200 36 W 4000 K IP65 GY	>80	IK08	1200 x 35 x 48
DP SLIM VALUE 1200 36 W 6500 K IP65 GY	>80	IK08	1200 x 35 x 48
DP SLIM VALUE 1500 50 W 4000 K IP65 GY	>80	IK08	1500 x 35 x 48
DP SLIM VALUE 1500 50 W 6500 K IP65 GY	>80	IK08	1500 x 35 x 48

¹ t [h]: L70/B50 @ 25 °C (Ta) / t [h]: L80/B10 @ 25 °C (Ta)

DAMP PROOF VALUE

Damp-proof luminaires, classic shape



PRODUCT FEATURES

- High luminous efficacy: up to 120 lm/W
- Type of protection: IP65
- Beam angle: 115°
- Through wiring possible
- Polycarbonate housing

PRODUCT BENEFITS

- Evenly distributed light
- Energy savings of up to 50 % (compared to luminaires that use fluorescent lamps)
- Easy installation, no tools required for connection
- 3 years guarantee

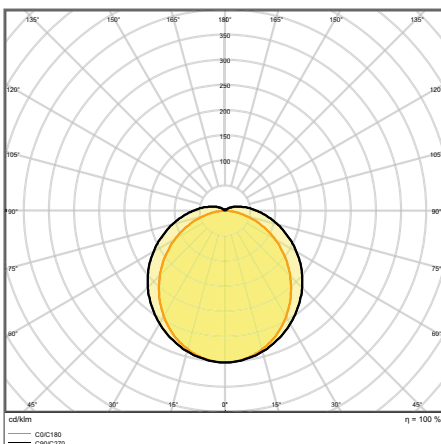
AREAS OF APPLICATION

- Industrial and storage facilities
- Car parks and underpasses
- Garages
- Workshops, assembly lines

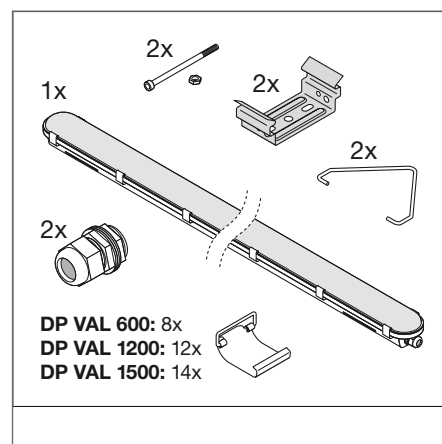
EQUIPMENT / ACCESSORIES

- Stainless steel clamps with safety screws included
- Mounting accessories included (suspension kit, theft protection kit)

FURTHER PRODUCT DETAILS



DP VAL 1800 70 W 4000 K IP65



¹ Refer to www.ledvance.com/guarantee for precise conditions

The pictures shown in the catalog are for illustration purposes only. For information on size and color, please refer to the product table.

Product name	Segmentation	GTIN (EAN)	RE-PLACEMENT FOR	W	lm	lm/W	K	L70 ¹	°
DP VAL 600 9 W 4000 K IP65	■	4058075300705	1x18W FL	9	1080	120	4000	50000	115
DP VAL 600 18 W 4000 K IP65	■	4058075300743	2x18W FL	18	2160	120	4000	50000	115
DP VAL 1200 20 W 4000 K IP65	■	4058075300781	1x36W FL	20	2400	120	4000	50000	115
DP VAL 1200 40 W 4000 K IP65	■	4058075300828	2x36W FL	40	4800	120	4000	50000	115
DP VAL 1500 25 W 4000 K IP65	■	4058075300866	1x58W FL	25	3000	120	4000	50000	115
DP VAL 1500 50 W 4000 K IP65	■	4058075300903	2x58W FL	50	6000	120	4000	50000	115
DP VAL 1800 34 W 4000 K IP65	■	4058075300941	1x70W FL	34	3700	110	4000	30000	115
DP VAL 1800 70 W 4000 K IP65	■	4058075300989	2x70W FL	70	7500	105	4000	30000	115



Product name	CRI	IK	9	L x W x H [mm] Ø x H [mm]
DP VAL 600 9 W 4000 K IP65	>80	IK08	635	600x77x66
DP VAL 600 18 W 4000 K IP65	>80	IK08	655	600x77x66
DP VAL 1200 20 W 4000 K IP65	>80	IK08	1485	1200x77x66
DP VAL 1200 40 W 4000 K IP65	>80	IK08	1485	1200x77x66
DP VAL 1500 25 W 4000 K IP65	>80	IK08	2000	1500x77x66
DP VAL 1500 50 W 4000 K IP65	>80	IK08	2000	1500x77x66
DP VAL 1800 34 W 4000 K IP65	>80	IK08	2230	1800x96x83
DP VAL 1800 70 W 4000 K IP65	>80	IK08	2230	1800x96x83

¹ t [h]: L70/B50 @ 25 °C (Ta) / t [h]: L80/B10 @ 25 °C (Ta)

HIGH-BAY LUMINAIRES

HIGH EFFICIENCY AND OPTIMUM QUALITY OF LIGHT

HIGH BAY DALI



Page 146

HIGH BAY DALI

HIGH BAY DALI CLO



PERFORMANCE CLASS

EFFICIENT AND EASY TO INSTALL, DALI WITH CLO* AVAILABLE

- High compatibility thanks to DALI-2 certification
- D-marking for mounting on surfaces with limited surface temperature
- Low-flicker light thanks to special electronic control gear

* CLO = Constant Lumen Output

HIGH BAY DALI ACCESSORIES



Page 150

HIGH BAY DALI BRACKET

HIGH BAY DALI REFLECTOR

HIGH BAY DALI REFRACTOR



ACCESSORIES FOR OPTIMUM QUALITY OF LIGHT

- High-quality aluminum reflector or polycarbonate refractor for tool-free mounting with a 70°/80° beam angle
- Sturdy steel bracket; can be swiveled by +/- 90°

HIGH BAY



Page 152

HIGH BAY GEN 3



PERFORMANCE CLASS

FOR HIGH LIGHTING DEMANDS

- High luminous efficacy
- Different versions for ceiling heights from 6 m to 14 m
- Low-flicker light thanks to special electronic control gear

HIGH BAY ACCESSORIES



Page 154

HIGH BAY BRACKET

HIGH BAY REFLECTOR

HIGH BAY REFRACTOR



ACCESSORIES FOR OPTIMUM QUALITY OF LIGHT

- High-quality aluminum reflector or polycarbonate refractor for tool-free mounting with a 65°/90° beam angle
- Sturdy steel bracket; can be swiveled by +/- 90°

HIGH BAY VALUE



Page 156

HIGH BAY VALUE



VALUE CLASS

GOOD LIGHTING FOR EVERYDAY APPLICATIONS

- Very homogeneous light distribution thanks to diffuse cover made of tempered glass
- Optimized weight and size
- Modern and exclusive LEDVANCE design

HIGH BAY VALUE ACCESSORIES



Page 159

HIGH BAY VALUE REFLECTOR

HIGH BAY VALUE BRACKET



ACCESSORIES FOR OPTIMUM QUALITY OF LIGHT

- High-quality aluminum reflector for mounting with a 80° beam angle
- Sturdy steel bracket, can be swiveled by +/- 60°

TRUE PROS – HIGH BAY DALI

HIGH BAY DALI CLO: HIGH ENERGY EFFICIENCY THROUGH CONSTANT LUMINOUS FLUX

- CLO version with constant luminous flux thanks to lumen maintenance throughout its lifetime
- High compatibility with light management systems, dimmers and sensors thanks to DALI 2.0 interface
- Attractive system efficiency of up to 140 lm/W

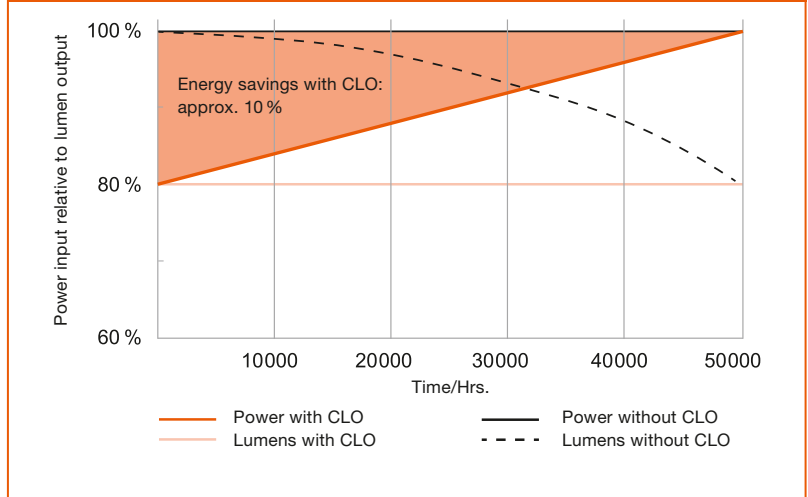


Refractor



Reflector

CONSTANT LUMEN OUTPUT THROUGHOUT THE ENTIRE LIFE OF 50,000 HOURS – THE HIGH BAY DALI CLO* VERSION



*CLO = Constant Lumen Output

USEFUL ACCESSORIES FOR INCREASED QUALITY OF LIGHT:

- Polycarbonate refractor for additional indirect lighting and attractive lighting effect in representative applications (70° or 80° beam angle)
- 80° aluminum reflector for lighting with increased visual comfort; also suitable for high ceiling heights

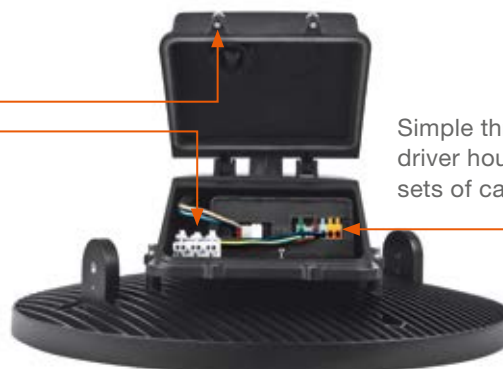
DID YOU KNOW?

Simple click-in installation for the refractor and reflector

NEW: SIMPLIFIED INSTALLATION AND THROUGH-WIRING

Simplified installation:

- Only 2 captive screws in the driver cover for opening
- Button connector inside



Simple through-wiring thanks to recess in the driver housing and push-button terminal for two sets of cables

HIGH BAY DALI

LED high-bay luminaires with DALI interface



PRODUCT FEATURES

- Robust aluminum housing with integrated connection box, high-quality PC cover
- Ambient temperature in operation: -30...+50 °C
- High luminous efficacy: up to 140 lm/W
- Through-wiring possible, second PG screw connection included
- Reflector and refractor available as accessories for optimum directional light

PRODUCT BENEFITS

- High compatibility thanks to DALI-2 certification
- D-marking for mounting on surfaces with limited surface temperature
- Low flicker light thanks to special electronic control gear
- DALI 2.0 interface for dimming and sensor operations
- Easy electrical connection due to push button connector

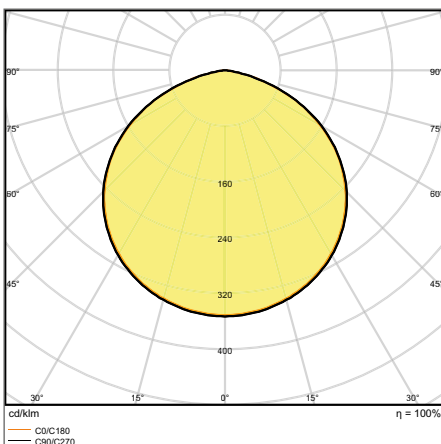
AREAS OF APPLICATION

- Replacement for high bay luminaires with mercury vapor or metal halide lamps
- Warehouses
- Logistics halls
- Industry
- High ceiling (e.g. in shopping malls, airports, commercial buildings, lobbies)

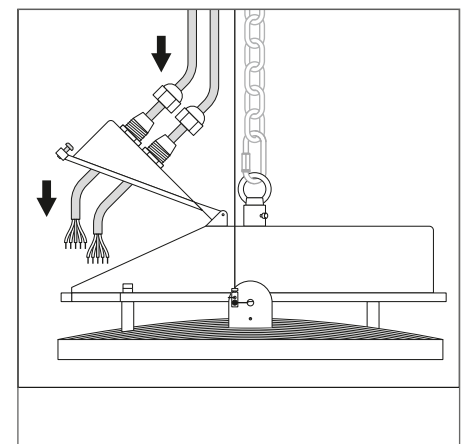
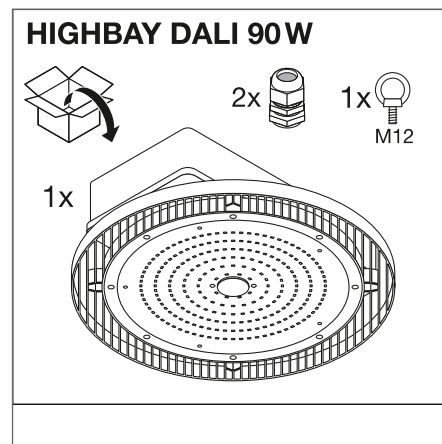
EQUIPMENT / ACCESSORIES

- Mounting hook included
- Mounting brackets and reflectors as separate accessory available*

FURTHER PRODUCT DETAILS



HB DALI 155 W 4000 K 115 DEG IP65 BK



* Please note: available = available as an optional accessory.
 † Refer to www.ledvance.com/guarantee for precise conditions

The pictures shown in the catalog are for illustration purposes only. For information on size and color, please refer to the product table.

Product name	Segmentation	GTIN (EAN)	RE- PLACE- MENT FOR	W	lm	lm/W	K	L70 ¹	L80 ¹	△	↻
HB DALI 90 W 4000 K 115 DEG IP65 BK	■	4058075130685	250W HID	90	13000	140	4000	80000	50000	115	DALI
HB DALI 155 W 4000 K 115 DEG IP65 BK	■	4058075130678	400W HID	155	22000	140	4000	80000	50000	115	DALI



Product name	CRI	FLICKER VALUE	IK	ⓘ	L × W × H [mm] ∅ × H [mm]
HB DALI 90 W 4000 K 115 DEG IP65 BK	>80	<10 %	IK08	3170	330x130
HB DALI 155 W 4000 K 115 DEG IP65 BK	>80	<10 %	IK08	4985	360x131

¹ t [h]: L70/B50 @ 25 °C (Ta) / t [h]: L80/B10 @ 25 °C (Ta)

HIGH BAY DALI CONSTANT LUMEN OUTPUT

LED high-bay luminaires with DALI interface and constant lumen function



PRODUCT FEATURES

- Robust aluminum housing with integrated connection box, high-quality PC cover
- Luminous flux (lumen) is adjusted over the entire life (kept constant)
- Ambient temperature in operation: -30...+50 °C
- Through-wiring possible, second PG screw connection included
- Reflector and refractor available as accessories for optimum directional light

PRODUCT BENEFITS

- High energy savings due to the same luminous flux throughout the entire lifetime
- Energy savings of up to 90 % compared to conventional high bay luminaires
- D-marking for mounting on surfaces with limited surface temperature
- Low flicker light thanks to special electronic control gear
- DALI 2.0 interface for dimming and sensor operations

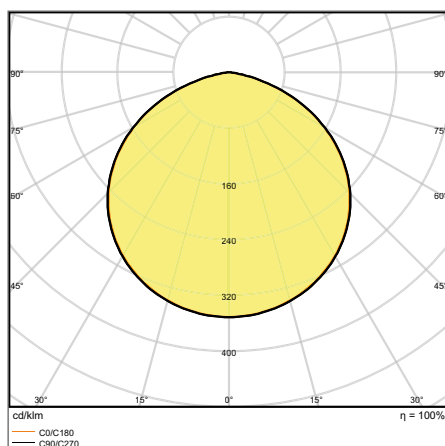
AREAS OF APPLICATION

- Replacement for high bay luminaires with mercury vapor or metal halide lamps
- Warehouses
- Logistics halls
- Industry
- High ceiling (e.g. in shopping malls, airports, commercial buildings, lobbies)

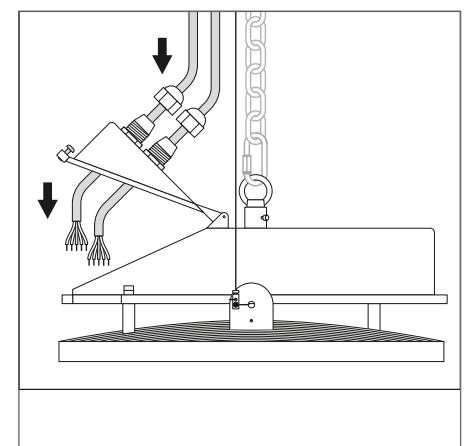
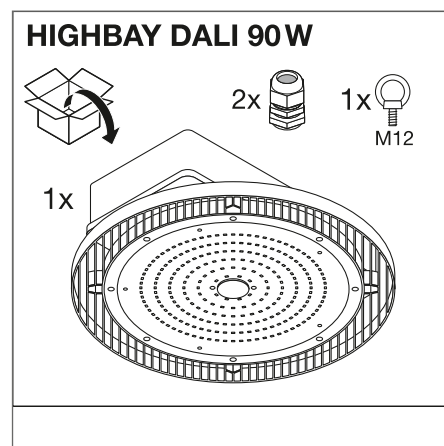
EQUIPMENT / ACCESSORIES

- Mounting hook included
- Mounting brackets and reflectors as separate accessory available*

FURTHER PRODUCT DETAILS



HB DALI CLO 155 W 4000 K 115 DEG
IP65 BK



* Please note: available = available as an optional accessory.
¹ Refer to www.ledvance.com/guarantee for precise conditions

The pictures shown in the catalog are for illustration purposes only. For information on size and color, please refer to the product table.

Product name	Segmentation	GTIN (EAN)	RE-PLACE-MENT-FOR	W	lm	lm/w	K	△	⤵
HB DALI CLO 90 W 4000 K 115 DEG IP65 BK	■	4058075130661	250W HID	75...90	10500	115	4000	115	DALI
HB DALI CLO 155 W 4000 K 115 DEG IP65 BK	■	4058075130654	400W HID	125...155	17500	115	4000	115	DALI



Product name	CRI	FLICKER VALUE	IK	Ⓜ	L x W x H [mm] ∅ x H [mm]
HB DALI CLO 90 W 4000 K 115 DEG IP65 BK	>80	<10 %	IK08	3170	330x130
HB DALI CLO 155 W 4000 K 115 DEG IP65 BK	>80	<10 %	IK08	4985	360x131



HIGH BAY DALI ACCESSORIES

Reflectors, refractors and mounting accessory for HIGH BAY DALI luminaires



- DALI Reflector: high-quality aluminum reflector with safety cable in 2 diameters
- DALI Refractor: PC refractor with 2 diameters – 413 mm 80° + 480 mm 70°, safety cable included
- DALI Bracket: black steel bracket, adjustable swivel angle +/- 90°

Product name	GTIN (EAN)	L x W x H [mm] Ø x H [mm]	MATERIAL	COLOR			
HB DALI REFLECTOR 90 W 80 DEG SI	4058075157453	406 x 204	Aluminum	Silver	80	0	1
HB DALI REFLECTOR 155 W 80 DEG SI	4058075157477	472 x 224	Aluminum	Silver	80	0	1
HB DALI REFRACTOR 90 W 80DEG CL	4058075305922	413 x 259	Polycarbonate (PC)	-	80	0	2
HB DALI REFRACTOR 155 W 70DEG CL	4058075305939	480 x 295	Polycarbonate (PC)	-	70	0	2
HB DALI BRACKET 90 W	4058075157484	263 x 213 x 40	Steel	Black	-	1	3
HB DALI BRACKET 155 W	4058075157507	277 x 233 x 40	Steel	Black	-	1	3

¹ Refer to www.ledvance.com/guarantee for precise conditions



HIGH BAY GEN 3

High-bay luminaires up to 140 lm/W and attractive UGR



PRODUCT FEATURES

- Robust aluminum housing with 1.5 m connection cable 3 x 1,5 sqmm, high-quality PC cover
- Ambient temperature in operation: -30...+50 °C
- High luminous efficacy: up to 140 lm/W
- Includes mounting hook for suspended installation. Surface-mounting possible via separate bracket.
- Type of protection: IP65

PRODUCT BENEFITS

- High luminous efficacy
- Usable from 6 m to 14 m ceiling height
- Low flicker light thanks to special electronic control gear
- D-marking for mounting on surfaces with limited surface temperature
- 5 years guarantee

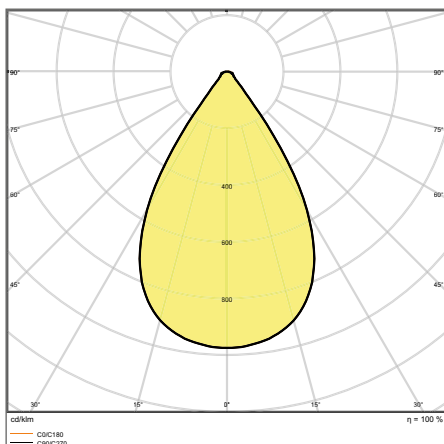
AREAS OF APPLICATION

- Replacement for high bay luminaires with mercury vapor or metal halide lamps
- Warehouses
- Logistics halls
- Industry
- High ceiling (e.g. in shopping malls, airports, commercial buildings, lobbies)

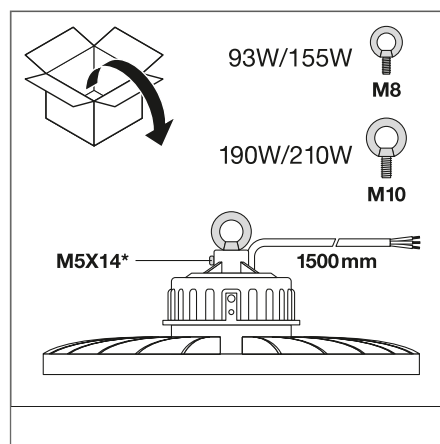
EQUIPMENT / ACCESSORIES

- Mounting hook included
- Mounting brackets, reflectors and refractors available* as separate accessory

FURTHER PRODUCT DETAILS



HB 210 W 4000 K 70DEG IP65



* Please note: available = available as an optional accessory.

¹ Refer to www.ledvance.com/guarantee for precise conditions

The pictures shown in the catalog are for illustration purposes only. For information on size and color, please refer to the product table.

Product name		Segmentation	GTIN (EAN)	W	lm	lm/W	K	L70 ¹	L80 ¹	△°
NEW	HB 93 W 4000 K 70DEG IP65	■	4058075452374	93	13000	140	4000	80000	50000	70
NEW	HB 93 W 4000 K 110DEG IP65	■	4058075452367	93	13000	140	4000	80000	50000	110
NEW	HB 93 W 6500 K 70DEG IP65	■	4058075452541	93	13000	140	6500	80000	50000	70
NEW	HB 93 W 6500 K 110DEG IP65	■	4058075452510	93	13000	140	6500	80000	50000	110
NEW	HB 155 W 4000 K 70DEG IP65	■	4058075452411	155	22000	140	4000	80000	50000	70
NEW	HB 155 W 4000 K 110DEG IP65	■	4058075452381	155	22000	140	4000	80000	50000	110
NEW	HB 155 W 6500 K 110DEG IP65	■	4058075452572	155	22000	140	6500	80000	50000	110
NEW	HB 190 W 4000 K 70DEG IP65	■	4058075452459	190	27000	140	4000	80000	50000	70
NEW	HB 190 W 4000 K 110DEG IP65	■	4058075452428	190	27000	140	4000	80000	50000	110
NEW	HB 190 W 6500 K 70DEG IP65	■	4058075452589	190	27000	140	6500	80000	50000	70
NEW	HB 210 W 4000 K 70DEG IP65	■	4058075452466	210	30000	140	4000	80000	50000	70
NEW	HB 210 W 6500 K 70DEG IP65	■	4058075452596	210	30000	140	6500	80000	50000	70

Product name		CRI	UGR	FLICKER VALUE	IK	IK	KABEL-LÄNGE	L x W x H [mm]	Ø x H [mm]
NEW	HB 93 W 4000 K 70DEG IP65	≥80	<25	<5 %	IK08	1800	1500	280 x 143	
NEW	HB 93 W 4000 K 110DEG IP65	≥80	<29	<5 %	IK08	1800	1500	280 x 143	
NEW	HB 93 W 6500 K 70DEG IP65	≥80	<25	<5 %	IK08	1800	1500	280 x 143	
NEW	HB 93 W 6500 K 110DEG IP65	≥80	<29	<5 %	IK08	1800	1500	280 x 143	
NEW	HB 155 W 4000 K 70DEG IP65	≥80	<25	<5 %	IK08	2300	1500	321 x 140	
NEW	HB 155 W 4000 K 110DEG IP65	≥80	<29	<5 %	IK08	2300	1500	321 x 140	
NEW	HB 155 W 6500 K 110DEG IP65	≥80	<29	<5 %	IK08	2650	1500	321 x 140	
NEW	HB 190 W 4000 K 70DEG IP65	≥80	<25	<5 %	IK08	2650	1500	321 x 164	
NEW	HB 190 W 4000 K 110DEG IP65	≥80	<29	<5 %	IK08	2650	1500	321 x 164	
NEW	HB 190 W 6500 K 70DEG IP65	≥80	<25	<5 %	IK08	2650	1500	321 x 164	
NEW	HB 210 W 4000 K 70DEG IP65	≥80	<25	<5 %	IK08	2650	1500	321 x 164	
NEW	HB 210 W 6500 K 70DEG IP65	≥80	<25	<5 %	IK08	2650	1500	321 x 164	

¹ t [h]: L70/B50 @ 25 °C (Ta) / t [h]: L80/B10 @ 25 °C (Ta)



HIGH BAY ACCESSORIES

Reflectors, refractors and mounting accessories for HIGH BAY luminaires



- High-quality aluminium reflector
- High-quality polycarbonate refractor
- Bracket: black steel, adjustable swivel angle +/-90°

Product name	GTIN (EAN)	L x W x H [mm] Ø x H [mm]	MATERIAL	COLOR	ANGLE	QTY	NO.
NEW HB ALU REFLECTOR 93 W	4058075507043	415x208	Aluminum	Silver	65	2	1
NEW HB ALU REFLECTOR 155 W - 210 W	4058075507050	499x81	Aluminum	Silver	65	2	1
NEW HB PC REFRACTOR 93 W	4058075507029	309x76	Polycarbonate (PC)	-	90	2	2
NEW HB PC REFRACTOR 155 W - 210 W	4058075507036	414x138	Polycarbonate (PC)	-	90	2	2
NEW HB BRACKET 93 W - 155 W	4058075505285	-x150	Steel	Black	-	1	3
NEW HB BRACKET 190 W - 210 W	4058075505308	-x150	Steel	Black	-	1	3

¹ Refer to www.ledvance.com/guarantee for precise conditions



HIGH BAY VALUE

High-bay luminaires up to 110 lm/W



PRODUCT FEATURES

- Housing made of robust aluminum, black, similar to RAL 9017 with 0.5 m connection cable
- Operating temperature: -20...50 °C
- High luminous efficacy: up to 100 lm/W
- Type of protection: IP65
- Glare index: UGR ≤ 25

PRODUCT BENEFITS

- Replacement for HQI 250/400W
- Compact, attractive design: weight and size optimized, driver integrated
- Good problem solver due to low weight (<2.26 kg)
- 3 years guarantee

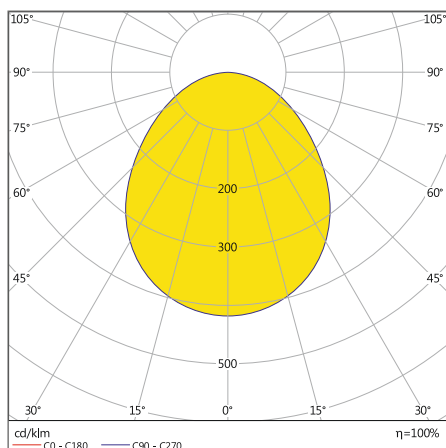
AREAS OF APPLICATION

- Replacement for high bay luminaires with mercury vapor or metal halide lamps
- Warehouses
- Logistics halls
- Industry
- High ceiling (e.g. in shopping malls, airports, commercial buildings, lobbies)

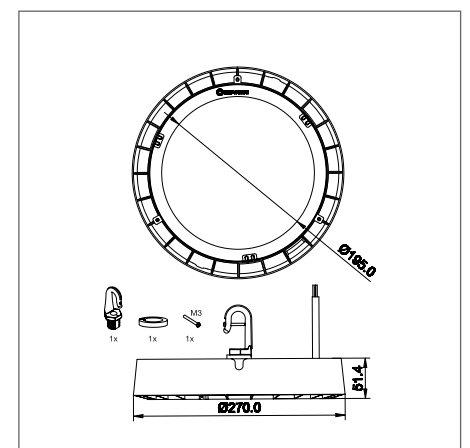
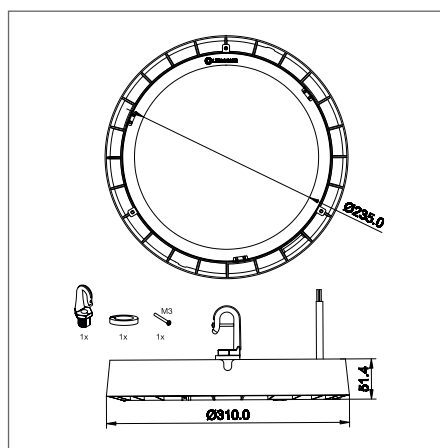
EQUIPMENT / ACCESSORIES

- Bracket available*

FURTHER PRODUCT DETAILS



HIGH BAY VALUE 200 W 4000 K 100 DEG
IP65 BK



* Please note: available = available as an optional accessory.
 † Refer to www.ledvance.com/guarantee for precise conditions

The pictures shown in the catalog are for illustration purposes only. For information on size and color, please refer to the product table.

Product name	Segmentation	GTIN (EAN)	W	lm	lm/W	K	L70 ¹	L80 ¹	°
HIGH BAY VALUE 100 W 4000 K 100 DEG IP65 BK	■	4058075408395	100	10000	100	4000	50000	32000	100
HIGH BAY VALUE 100 W 6500 K 100 DEG IP65 BK	■	4058075408425	100	10000	100	6500	50000	32000	100
HIGH BAY VALUE 150 W 4000 K 100 DEG IP65 BK	■	4058075408432	150	16000	106	4000	50000	32000	100
HIGH BAY VALUE 150 W 6500 K 100 DEG IP65 BK	■	4058075408449	150	16000	106	6500	50000	32000	100
HIGH BAY VALUE 200 W 4000 K 100 DEG IP65 BK	■	4058075408456	200	20000	100	4000	50000	32000	100
HIGH BAY VALUE 200 W 6500 K 100 DEG IP65 BK	■	4058075408463	200	20000	100	6500	50000	32000	100



Product name	CRI	IK	g	KABEL-LÄNGE	L × W × H [mm] Ø × H [mm]
HIGH BAY VALUE 100 W 4000 K 100 DEG IP65 BK	>80	IK06	1338	500	230x51.4
HIGH BAY VALUE 100 W 6500 K 100 DEG IP65 BK	>80	IK06	1338	500	230x51.4
HIGH BAY VALUE 150 W 4000 K 100 DEG IP65 BK	>80	IK06	1772	500	270x51.4
HIGH BAY VALUE 150 W 6500 K 100 DEG IP65 BK	>80	IK06	1772	500	270x51.4
HIGH BAY VALUE 200 W 4000 K 100 DEG IP65 BK	>80	IK06	2260	500	310x51.4
HIGH BAY VALUE 200 W 6500 K 100 DEG IP65 BK	>80	IK06	2260	500	310x51.4

¹ t [h]: L70/B50 @ 25 °C (Ta) / t [h]: L80/B10 @ 25 °C (Ta)

Product name	Segmentation	GTIN (EAN)	W	lm	lm/W	K	L70 ¹	L80 ¹	°
HIGH BAY VALUE 100 W 4000 K 100 DEG IP65 BK	■	4058075408395	100	10000	100	4000	50000	32000	100
HIGH BAY VALUE 100 W 6500 K 100 DEG IP65 BK	■	4058075408425	100	10000	100	6500	50000	32000	100
HIGH BAY VALUE 150 W 4000 K 100 DEG IP65 BK	■	4058075408432	150	16000	106	4000	50000	32000	100
HIGH BAY VALUE 150 W 6500 K 100 DEG IP65 BK	■	4058075408449	150	16000	106	6500	50000	32000	100
HIGH BAY VALUE 200 W 4000 K 100 DEG IP65 BK	■	4058075408456	200	20000	100	4000	50000	32000	100
HIGH BAY VALUE 200 W 6500 K 100 DEG IP65 BK	■	4058075408463	200	20000	100	6500	50000	32000	100



Product name	CRI	IK	g	KABEL-LÄNGE	L x W x H [mm] Ø x H [mm]
HIGH BAY VALUE 100 W 4000 K 100 DEG IP65 BK	>80	IK06	1338	500	230x51.4
HIGH BAY VALUE 100 W 6500 K 100 DEG IP65 BK	>80	IK06	1338	500	230x51.4
HIGH BAY VALUE 150 W 4000 K 100 DEG IP65 BK	>80	IK06	1772	500	270x51.4
HIGH BAY VALUE 150 W 6500 K 100 DEG IP65 BK	>80	IK06	1772	500	270x51.4
HIGH BAY VALUE 200 W 4000 K 100 DEG IP65 BK	>80	IK06	2260	500	310x51.4
HIGH BAY VALUE 200 W 6500 K 100 DEG IP65 BK	>80	IK06	2260	500	310x51.4

¹ t [h]: L70/B50 @ 25 °C (Ta) / t [h]: L80/B10 @ 25 °C (Ta)



HIGH BAY VALUE ACCESSORIES

Reflectors and mounting accessories for HIGH BAY VALUE luminaires



- Value Reflector:
high-quality aluminium reflector,
beam angle 80°
- Value Bracket:
black steel, adjustable swivel angle +/- 60°

Product name	GTIN (EAN)	L x W x H [mm] Ø x H [mm]	MATERIAL	COLOR	Beam angle	Quantity	No.
NEW HIGH BAY VALUE REFLECTOR 100 W 80 DEG SI	4058075423275	335 x 80	Aluminum	Silver	80	2	1
NEW HIGH BAY VALUE REFLECTOR 150 W 80 DEG SI	4058075423282	385 x 82	Aluminum	Silver	80	2	1
NEW HIGH BAY VALUE REFLECTOR 200 W 80 DEG SI	4058075423312	425 x 85	Aluminum	Silver	80	2	1
HIGH BAY VALUE BRACKET 100 W	4058075423350	148 x 22 x 110	Steel	Black	-	1	2
HIGH BAY VALUE BRACKET 150 W	4058075423374	186 x 35 x 125	Steel	Black	-	1	2
HIGH BAY VALUE BRACKET 200 W	4058075423398	229 x 35 x 140	Steel	Black	-	1	2

¹ Refer to www.ledvance.com/guarantee for precise conditions

FLOODLIGHTS

FLOODLIGHTS WITH THE RIGHT ILLUMINATION FOR A WIDE VARIETY OF PROJECTS

FLOODLIGHT PERFORMANCE: POWERFUL AND PRECISE



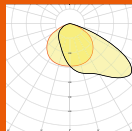
Extremely robust and durable floodlights, available in 3 application-specific light distributions. Thanks to their high luminous flux, the luminaires are ideal for replacing floodlights that use conventional high-pressure discharge lamps.

PERFORMANCE CLASS

Page 162



Distribution of light ASYM 55° x 110°



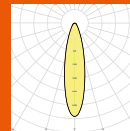
Asymmetrical wide beam 55° x 110°
Illumination of areas, parking lots, sports grounds and facades

Distribution of light ASYM 45° x 140°

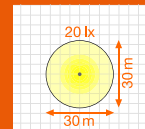
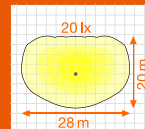
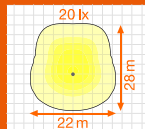
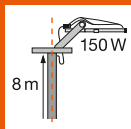


Asymmetrical extra wide beam 45° x 140°
Illumination of areas, parking lots and (industrial) roads with wide mast spacing

Distribution of light SYM R30



Rotationally symmetrical 30°
Illumination of sports grounds and applications that require high illuminance levels



Typical application: area with 20 lx average illuminance per light distribution. At 150 W connected load, 8m mast height, 0° tilt and uniformity of $U_0 = 0.25$. Gray dot shows mast position.



FLOODLIGHT: VERSATILE ALL-ROUNDERS



Broad all-round floodlight portfolio: the nine power levels, three color temperatures and black or white housings meet a wide range of requirements.

PERFORMANCE CLASS

Page 166



FLOODLIGHT SENSOR AND PHOTOCELL SENSOR: INTELLIGENT AND EFFICIENT



Luminaires for optimized outdoor lighting by means of daylight and motion sensors.

PERFORMANCE CLASS

Page 170



FLOODLIGHT VALUE: JUST LIGHT

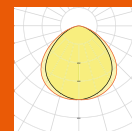


Although stripped down to the essential, the floodlights still provide safe and long-lasting lighting outdoors.

VALUE CLASS

Page 174

Distribution of light SYM 100



Symmetrical light pattern 100° x 100°
General outdoor and facade lighting



FLOODLIGHT PERFORMANCE

IP66 floodlight with lens based light distribution up to 140 lm/W



PRODUCT FEATURES

- Aluminum die-cast housing, black (similar to RAL 9017) with toughened glass
- Robust design: IP66, IK08, -30° to +50° temperature resistance and surge protection <10kV
- Integrated breather for preventing condensation inside the luminaire
- Suitable for locations with fire hazards according to EN 60598-2-24 (D-mark)
- 2m connection cable with open, crimped wire ends for flexible installation

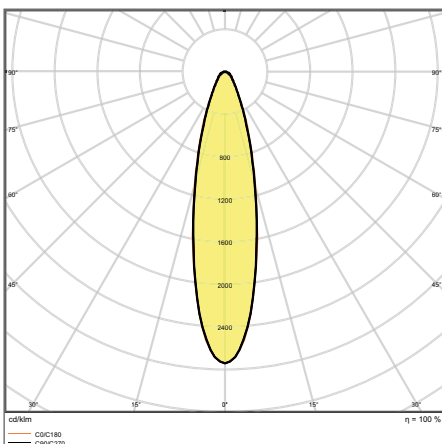
PRODUCT BENEFITS

- Available in 5 power levels, for replacement of traditional luminaires, up to 2000W (HAL)
- Available in 3 light distributions for optimum illumination of a wide range of applications
- Suitable for wall or mast mounting thanks to angled bracket with a great rotation range
- Highly efficient directional light through single lenses, with up to 140 lm/W luminous efficiency
- 5 years guarantee

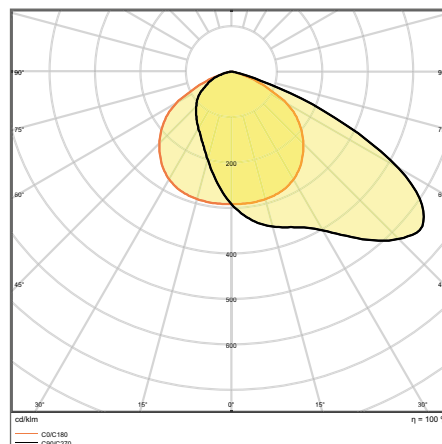
AREAS OF APPLICATION

- Direct replacement for luminaires using HID lamps
- Outdoor use (IP66)
- Public areas
- Industry
- Sports facilities

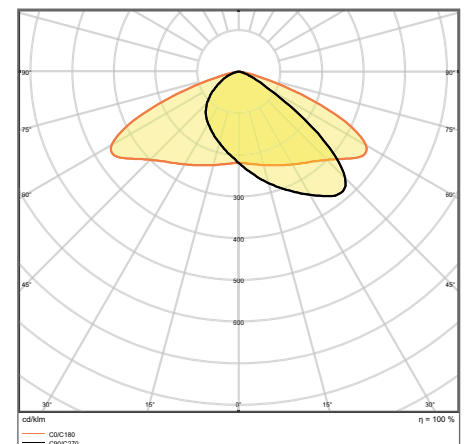
FURTHER PRODUCT DETAILS



FL PFM SYM R30 290 W 4000 K BK



FL PFM ASYM 55x110 290 W 4000 K BK

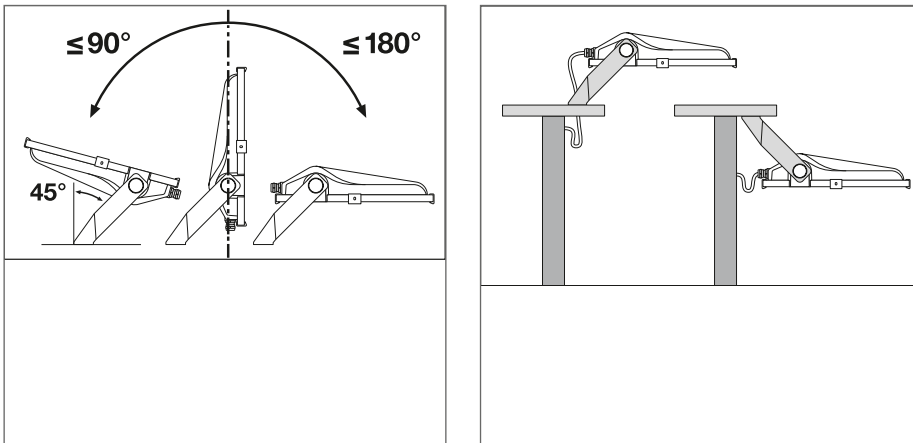


FL PFM ASYM 45x140 290 W 4000 K BK

¹ Refer to www.ledvance.com/guarantee for precise conditions

The pictures shown in the catalog are for illustration purposes only. For information on size and color, please refer to the product table.

FURTHER PRODUCT DETAILS



FLOODLIGHT PERFORMANCE ASYM 55x110

Floodlight with wide beam, asymmetric light distribution for various application areas

Product name	Segmentation	GTIN (EAN)	RE-PLACEMENT FOR	W	lm	lm/W	K	L70 ¹	L80 ¹	Beam angle
FL PFM ASYM 55x110 50 W 3000 K BK	■	4058075353299	500W HAL	50	5800	115	3000	100000	70000	55° x 110°
FL PFM ASYM 55x110 50 W 4000 K BK	■	4058075353305	500W HAL	50	6300	125	4000	100000	70000	55° x 110°
FL PFM ASYM 55x110 100 W 3000 K BK	■	4058075353312	1000W HAL	100	11900	120	3000	100000	70000	55° x 110°
FL PFM ASYM 55x110 100 W 4000 K BK	■	4058075353527	1000W HAL	100	12900	130	4000	100000	70000	55° x 110°
FL PFM ASYM 55x110 150 W 3000 K BK	■	4058075353534	1500W HAL	150	18400	125	3000	100000	70000	55° x 110°
FL PFM ASYM 55x110 150 W 4000 K BK	■	4058075353541	1500W HAL	150	19900	135	4000	100000	70000	55° x 110°
FL PFM ASYM 55x110 200 W 3000 K BK	■	4058075353558	1500W HAL	200	24400	130	3000	100000	70000	55° x 110°
FL PFM ASYM 55x110 200 W 4000 K BK	■	4058075353565	1500W HAL	200	26400	140	4000	100000	70000	55° x 110°
FL PFM ASYM 55x110 290 W 3000 K BK	■	4058075353572	2000W HAL	290	35600	125	3000	100000	70000	55° x 110°
FL PFM ASYM 55x110 290 W 4000 K BK	■	4058075353602	2000W HAL	290	38500	135	4000	100000	70000	55° x 110°



Product name	CRI	FLICKER VALUE	IK	IK	KABEL-LÄNGE	L x W x H [mm] Ø x H [mm]
FL PFM ASYM 55x110 50 W 3000 K BK	>80	-	IK08	2600	2000	314 x 240 x 63
FL PFM ASYM 55x110 50 W 4000 K BK	>80	-	IK08	2600	2000	314 x 240 x 63
FL PFM ASYM 55x110 100 W 3000 K BK	>80	<10 %	IK08	3900	2000	418 x 330 x 77
FL PFM ASYM 55x110 100 W 4000 K BK	>80	<10 %	IK08	3900	2000	418 x 330 x 77
FL PFM ASYM 55x110 150 W 3000 K BK	>80	<10 %	IK08	4500	2000	451 x 330 x 77
FL PFM ASYM 55x110 150 W 4000 K BK	>80	<10 %	IK08	4500	2000	451 x 330 x 77
FL PFM ASYM 55x110 200 W 3000 K BK	>80	<10 %	IK08	6300	2000	494 x 395 x 87
FL PFM ASYM 55x110 200 W 4000 K BK	>80	<10 %	IK08	6300	2000	494 x 395 x 87
FL PFM ASYM 55x110 290 W 3000 K BK	>80	<10 %	IK08	9500	2000	567 x 465 x 97
FL PFM ASYM 55x110 290 W 4000 K BK	>80	<10 %	IK08	9500	2000	567 x 465 x 97

¹ t [h]: L70/B50 @ 25 °C (Ta) / t [h]: L80/B10 @ 25 °C (Ta)

FLOODLIGHT PERFORMANCE ASYM 45x140

Floodlight with very wide beam, asymmetric light distribution for area lighting

Product name	Segmentation	GTIN (EAN)	RE-PLACEMENT FOR	W	lm	lm/W	K	L70 ¹	L80 ¹	°
FL PFM ASYM 45x140 50 W 3000 K BK	■	4058075353619	500W HAL	50	5700	115	3000	100000	70000	45 ° x 140 °
FL PFM ASYM 45x140 50 W 4000 K BK	■	4058075353626	500W HAL	50	6200	125	4000	100000	70000	45 ° x 140 °
FL PFM ASYM 45x140 100 W 3000 K BK	■	4058075353633	1000W HAL	100	11800	120	3000	100000	70000	45 ° x 140 °
FL PFM ASYM 45x140 100 W 4000 K BK	■	4058075353688	1000W HAL	100	12800	130	4000	100000	70000	45 ° x 140 °
FL PFM ASYM 45x140 150 W 3000 K BK	■	4058075353695	1500W HAL	150	18300	120	3000	100000	70000	45 ° x 140 °
FL PFM ASYM 45x140 150 W 4000 K BK	■	4058075353701	1500W HAL	150	19800	130	4000	100000	70000	45 ° x 140 °
FL PFM ASYM 45x140 200 W 3000 K BK	■	4058075353718	1500W HAL	200	24200	130	3000	100000	70000	45 ° x 140 °
FL PFM ASYM 45x140 200 W 4000 K BK	■	4058075353725	1500W HAL	200	26200	140	4000	100000	70000	45 ° x 140 °
FL PFM ASYM 45x140 290 W 3000 K BK	■	4058075353732	2000W HAL	290	35300	120	3000	100000	70000	45 ° x 140 °
FL PFM ASYM 45x140 290 W 4000 K BK	■	4058075353749	2000W HAL	290	38200	130	4000	100000	70000	45 ° x 140 °



Product name	CRI	FLICKER VALUE	IK	g	KABEL-LÄNGE	L x W x H [mm] Ø x H [mm]
FL PFM ASYM 45x140 50 W 3000 K BK	>80	-	IK08	2600	2000	314 x 240 x 63
FL PFM ASYM 45x140 50 W 4000 K BK	>80	-	IK08	2600	2000	314 x 240 x 63
FL PFM ASYM 45x140 100 W 3000 K BK	>80	<10 %	IK08	3900	2000	418 x 330 x 77
FL PFM ASYM 45x140 100 W 4000 K BK	>80	<10 %	IK08	3900	2000	418 x 330 x 77
FL PFM ASYM 45x140 150 W 3000 K BK	>80	<10 %	IK08	4500	2000	451 x 330 x 77
FL PFM ASYM 45x140 150 W 4000 K BK	>80	<10 %	IK08	4500	2000	451 x 330 x 77
FL PFM ASYM 45x140 200 W 3000 K BK	>80	<10 %	IK08	6300	2000	494 x 395 x 87
FL PFM ASYM 45x140 200 W 4000 K BK	>80	<10 %	IK08	6300	2000	494 x 395 x 87
FL PFM ASYM 45x140 290 W 3000 K BK	>80	<10 %	IK08	9500	2000	567 x 465 x 97
FL PFM ASYM 45x140 290 W 4000 K BK	>80	<10 %	IK08	9500	2000	567 x 465 x 97

FLOODLIGHT PERFORMANCE SYM R30

Floodlight with rotational symmetric light distribution for high mast area lighting

Product name	Segmentation	GTIN (EAN)	RE-PLACEMENT FOR	W	lm	lm/W	K	L70 ¹	L80 ¹	°
FL PFM SYM R30 150 W 3000 K BK	■	4058075353756	1500W HAL	150	18700	125	3000	100000	70000	30
FL PFM SYM R30 150 W 4000 K BK	■	4058075353763	1500W HAL	150	20200	135	4000	100000	70000	30
FL PFM SYM R30 200 W 3000 K BK	■	4058075353770	1500W HAL	200	24800	130	3000	100000	70000	30
FL PFM SYM R30 200 W 4000 K BK	■	4058075353787	1500W HAL	200	26800	140	4000	100000	70000	30
FL PFM SYM R30 290 W 3000 K BK	■	4058075353794	2000W HAL	290	36200	125	3000	100000	70000	30
FL PFM SYM R30 290 W 4000 K BK	■	4058075353800	2000W HAL	290	39100	135	4000	100000	70000	30



Product name	CRI	FLICKER VALUE	IK	g	KABEL-LÄNGE	L x W x H [mm] Ø x H [mm]
FL PFM SYM R30 150 W 3000 K BK	>80	<10 %	IK08	4500	2000	451 x 330 x 77
FL PFM SYM R30 150 W 4000 K BK	>80	<10 %	IK08	4500	2000	451 x 330 x 77
FL PFM SYM R30 200 W 3000 K BK	>80	<10 %	IK08	6300	2000	494 x 395 x 87
FL PFM SYM R30 200 W 4000 K BK	>80	<10 %	IK08	6300	2000	494 x 395 x 87
FL PFM SYM R30 290 W 3000 K BK	>80	<10 %	IK08	9500	2000	567 x 465 x 97
FL PFM SYM R30 290 W 4000 K BK	>80	<10 %	IK08	9500	2000	567 x 465 x 97

¹ t [h]: L70/B50 @ 25 °C (Ta) / t [h]: L80/B10 @ 25 °C (Ta)



FLOODLIGHT, 10 W - 50 W

Floodlight with reflector based, symmetric light distribution up to 120 lm/W



PRODUCT FEATURES

- Aluminum housing with toughened glass, black or white
- Symmetrical beam angle: 100° x 100°
- Mounting bracket with 30° angle and wide rotation
- Connection via flexible 1 m cable, wiring required
- Surge protection: up to 4 kV (L/N-PE), 2 kV (L-N)

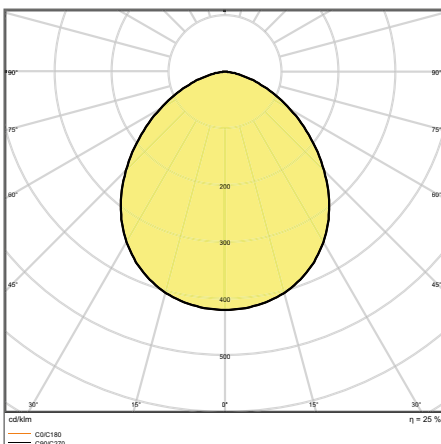
PRODUCT BENEFITS

- Frosted cover made of tempered glass for uniform illumination
- Energy savings of up to 90 % compared to halogen lamp floodlights
- No upper light output ratio (ULOR 0%) when mounted at 0° tilt
- Impact resistance: IK08
- 5 years guarantee

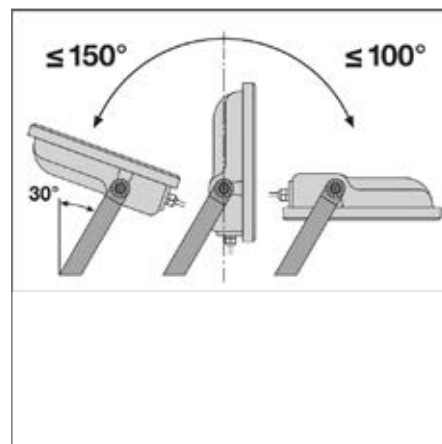
AREAS OF APPLICATION

- Replacement for floodlights with halogen lamps
- Outdoor use (IP65)
- Public areas
- Building facades
- Construction areas

FURTHER PRODUCT DETAILS



FL PFM 50 W 6500 K SYM 100 WT



¹ Refer to www.ledvance.com/guarantee for precise conditions

The pictures shown in the catalog are for illustration purposes only. For information on size and color, please refer to the product table.

Product name	Segmentation	GTIN (EAN)	RE-PLACE-MENT FOR	W	lm	lm/W	K	L70	L80	°
NEW FL PFM 10 W 3000 K SYM 100 BK	■	4058075420847	80W HAL	10	1100	110	3000	70000	55000	100 ° x 100 °
NEW FL PFM 10 W 3000 K SYM 100 WT	■	4058075420861	80W HAL	10	1100	110	3000	70000	55000	100 ° x 100 °
NEW FL PFM 10 W 4000 K SYM 100 BK	■	4058075420885	80W HAL	10	1200	120	4000	70000	55000	100 ° x 100 °
NEW FL PFM 10 W 4000 K SYM 100 WT	■	4058075420908	80W HAL	10	1200	120	4000	70000	55000	100 ° x 100 °
NEW FL PFM 10 W 6500 K SYM 100 BK	■	4058075420922	80W HAL	10	1200	120	6500	70000	55000	100 ° x 100 °
NEW FL PFM 10 W 6500 K SYM 100 WT	■	4058075420946	80W HAL	10	1200	120	6500	70000	55000	100 ° x 100 °
NEW FL PFM 20 W 3000 K SYM 100 BK	■	4058075420960	160W HAL	20	2200	110	3000	70000	55000	100 ° x 100 °
NEW FL PFM 20 W 3000 K SYM 100 WT	■	4058075420991	160W HAL	20	2200	110	3000	70000	55000	100 ° x 100 °
NEW FL PFM 20 W 4000 K SYM 100 BK	■	4058075421011	160W HAL	20	2400	120	4000	70000	55000	100 ° x 100 °
NEW FL PFM 20 W 4000 K SYM 100 WT	■	4058075421035	160W HAL	20	2400	120	4000	70000	55000	100 ° x 100 °
NEW FL PFM 20 W 6500 K SYM 100 BK	■	4058075421059	160W HAL	20	2400	120	6500	70000	55000	100 ° x 100 °
NEW FL PFM 20 W 6500 K SYM 100 WT	■	4058075421073	160W HAL	20	2400	120	6500	70000	55000	100 ° x 100 °
NEW FL PFM 30 W 3000 K SYM 100 BK	■	4058075421097	250W HAL	30	3300	110	3000	70000	55000	100 ° x 100 °
NEW FL PFM 30 W 3000 K SYM 100 WT	■	4058075421110	250W HAL	30	3300	110	3000	70000	55000	100 ° x 100 °
NEW FL PFM 30 W 4000 K SYM 100 BK	■	4058075421134	250W HAL	30	3600	120	4000	70000	55000	100 ° x 100 °
NEW FL PFM 30 W 4000 K SYM 100 WT	■	4058075421165	250W HAL	30	3600	120	4000	70000	55000	100 ° x 100 °
NEW FL PFM 30 W 6500 K SYM 100 BK	■	4058075421189	250W HAL	30	3600	120	6500	70000	55000	100 ° x 100 °
NEW FL PFM 30 W 6500 K SYM 100 WT	■	4058075421202	250W HAL	30	3600	120	6500	70000	55000	100 ° x 100 °
NEW FL PFM 50 W 3000 K SYM 100 BK	■	4058075421226	400W HAL	50	5500	110	3000	70000	55000	100 ° x 100 °
NEW FL PFM 50 W 3000 K SYM 100 WT	■	4058075421240	400W HAL	50	5500	110	3000	70000	55000	100 ° x 100 °
NEW FL PFM 50 W 4000 K SYM 100 BK	■	4058075421264	400W HAL	50	6000	120	4000	70000	55000	100 ° x 100 °
NEW FL PFM 50 W 4000 K SYM 100 WT	■	4058075421288	400W HAL	50	6000	120	4000	70000	55000	100 ° x 100 °
NEW FL PFM 50 W 6500 K SYM 100 BK	■	4058075421301	400W HAL	50	6000	120	6500	70000	55000	100 ° x 100 °
NEW FL PFM 50 W 6500 K SYM 100 WT	■	4058075421325	400W HAL	50	6000	120	6500	70000	55000	100 ° x 100 °



Product name	CRI	IK	KABEL-LÄNGE	L x W x H [mm]	Ø x H [mm]
NEW FL PFM 10 W 3000 K SYM 100 BK	≥80	IK07	400	1000	122 x 131 x 36
NEW FL PFM 10 W 3000 K SYM 100 WT	≥80	IK07	400	1000	122 x 131 x 36
NEW FL PFM 10 W 4000 K SYM 100 BK	≥80	IK07	400	1000	122 x 131 x 36
NEW FL PFM 10 W 4000 K SYM 100 WT	≥80	IK07	400	1000	122 x 131 x 36
NEW FL PFM 10 W 6500 K SYM 100 BK	≥80	IK07	400	1000	122 x 131 x 36
NEW FL PFM 10 W 6500 K SYM 100 WT	≥80	IK07	400	1000	122 x 131 x 36
NEW FL PFM 20 W 3000 K SYM 100 BK	≥80	IK07	520	1000	144 x 156 x 42
NEW FL PFM 20 W 3000 K SYM 100 WT	≥80	IK07	520	1000	144 x 156 x 42
NEW FL PFM 20 W 4000 K SYM 100 BK	≥80	IK07	520	1000	144 x 156 x 42
NEW FL PFM 20 W 4000 K SYM 100 WT	≥80	IK07	520	1000	144 x 156 x 42
NEW FL PFM 20 W 6500 K SYM 100 BK	≥80	IK07	520	1000	144 x 156 x 42
NEW FL PFM 20 W 6500 K SYM 100 WT	≥80	IK07	520	1000	144 x 156 x 42
NEW FL PFM 30 W 3000 K SYM 100 BK	≥80	IK07	700	1000	177 x 186 x 42
NEW FL PFM 30 W 3000 K SYM 100 WT	≥80	IK07	700	1000	177 x 186 x 42
NEW FL PFM 30 W 4000 K SYM 100 BK	≥80	IK07	700	1000	177 x 186 x 42
NEW FL PFM 30 W 4000 K SYM 100 WT	≥80	IK07	700	1000	177 x 186 x 42
NEW FL PFM 30 W 6500 K SYM 100 BK	≥80	IK07	700	1000	177 x 186 x 42
NEW FL PFM 30 W 6500 K SYM 100 WT	≥80	IK07	700	1000	177 x 186 x 42
NEW FL PFM 50 W 3000 K SYM 100 BK	≥80	IK07	1000	1000	206 x 218 x 46
NEW FL PFM 50 W 3000 K SYM 100 WT	≥80	IK07	1000	1000	206 x 218 x 46
NEW FL PFM 50 W 4000 K SYM 100 BK	≥80	IK07	1000	1000	206 x 218 x 46
NEW FL PFM 50 W 4000 K SYM 100 WT	≥80	IK07	1000	1000	206 x 218 x 46
NEW FL PFM 50 W 6500 K SYM 100 BK	≥80	IK07	1000	1000	206 x 218 x 46
NEW FL PFM 50 W 6500 K SYM 100 WT	≥80	IK07	1000	1000	206 x 218 x 46

¹ t [h]: L70/B50 @ 25 °C (Ta) / t [h]: L80/B10 @ 25 °C (Ta)

FLOODLIGHT, 65 W - 200 W

Floodlight with reflector based, symmetric light distribution up to 125 lm/W



PRODUCT FEATURES

- Aluminum housing with toughened glass, black
- Symmetrical beam angle: 100° x 100°
- Mounting bracket with 30° angle and wide rotation
- Connection via flexible 1 m cable, wiring required
- Surge protection: up to 6 kV (L/N-PE), 4 kV (L-N)

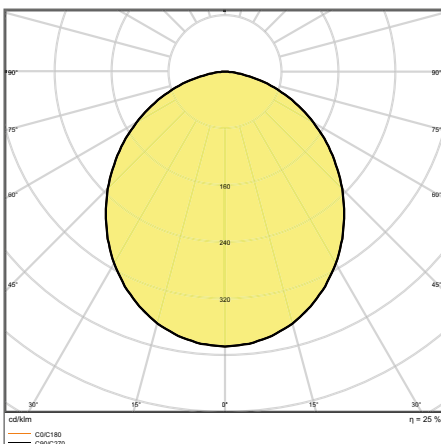
PRODUCT BENEFITS

- Frosted cover made of tempered glass for uniform illumination
- Energy savings of up to 90 % compared to halogen lamp floodlights
- No upper light output ratio (ULOR 0%) when mounted at 0° tilt
- Impact resistance: IK08
- 5 years guarantee

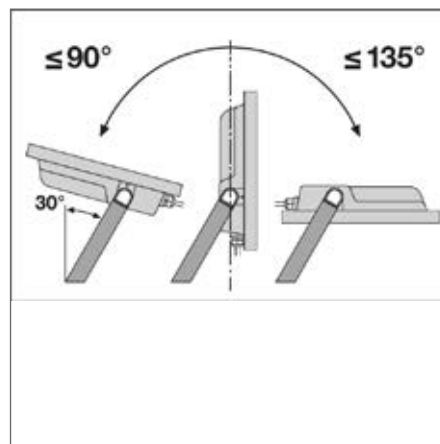
AREAS OF APPLICATION

- Replacement for floodlights with halogen lamps
- Outdoor use (IP65)
- Industry
- Public areas
- Construction areas

FURTHER PRODUCT DETAILS



FL PFM 200 W 6500 K SYM 100 BK



¹ Refer to www.ledvance.com/guarantee for precise conditions

The pictures shown in the catalog are for illustration purposes only. For information on size and color, please refer to the product table.

Product name	Segmentation	GTIN (EAN)	RE- PLACE- MENT FOR	W	lm	lm/W	K	L70	L80	120°
NEW FL PFM 65 W 3000 K SYM 100 BK	■	4058075422445	500W HAL	65	7150	110	3000	70000	55000	100° x 100°
NEW FL PFM 65 W 4000 K SYM 100 BK	■	4058075422469	500W HAL	65	8000	125	4000	70000	55000	100° x 100°
NEW FL PFM 65 W 6500 K SYM 100 BK	■	4058075422483	500W HAL	65	8000	125	6500	70000	55000	100° x 100°
NEW FL PFM 80 W 3000 K SYM 100 BK	■	4058075422506	750W HAL	80	8800	110	3000	70000	55000	100° x 100°
NEW FL PFM 80 W 4000 K SYM 100 BK	■	4058075422520	750W HAL	80	10000	125	4000	70000	55000	100° x 100°
NEW FL PFM 80 W 6500 K SYM 100 BK	■	4058075422544	750W HAL	80	10000	125	6500	70000	55000	100° x 100°
NEW FL PFM 125 W 3000 K SYM 100 BK	■	4058075423695	1000W HAL	125	13750	110	3000	70000	55000	100° x 100°
NEW FL PFM 125 W 4000 K SYM 100 BK	■	4058075423701	1000W HAL	125	15000	120	4000	70000	55000	100° x 100°
NEW FL PFM 125 W 6500 K SYM 100 BK	■	4058075423718	1000W HAL	125	15000	120	6500	70000	55000	100° x 100°
NEW FL PFM 165 W 3000 K SYM 100 BK	■	4058075423725	1500W HAL	165	18150	110	3000	70000	55000	100° x 100°
NEW FL PFM 165 W 4000 K SYM 100 BK	■	4058075423732	1500W HAL	165	20000	120	4000	70000	55000	100° x 100°
NEW FL PFM 165 W 6500 K SYM 100 BK	■	4058075423749	1500W HAL	165	20000	120	6500	70000	55000	100° x 100°
NEW FL PFM 200 W 3000 K SYM 100 BK	■	4058075423756	2000W HAL	200	22000	110	3000	70000	55000	100° x 100°
NEW FL PFM 200 W 4000 K SYM 100 BK	■	4058075423763	2000W HAL	200	25000	125	4000	70000	55000	100° x 100°
NEW FL PFM 200 W 6500 K SYM 100 BK	■	4058075423770	2000W HAL	200	25000	125	6500	70000	55000	100° x 100°

Product name	CRI	FLICKER VALUE	IK	9	KABEL- LÄNGE	L x W x H [mm] Ø x H [mm]
NEW FL PFM 65 W 3000 K SYM 100 BK	≥80	-	IK08	2100	1000	268 x 237 x 49
NEW FL PFM 65 W 4000 K SYM 100 BK	≥80	-	IK08	2100	1000	268 x 237 x 49
NEW FL PFM 65 W 6500 K SYM 100 BK	≥80	-	IK08	2100	1000	268 x 237 x 49
NEW FL PFM 80 W 3000 K SYM 100 BK	≥80	-	IK08	2800	1000	335 x 250 x 55
NEW FL PFM 80 W 4000 K SYM 100 BK	≥80	-	IK08	2800	1000	335 x 250 x 55
NEW FL PFM 80 W 6500 K SYM 100 BK	≥80	-	IK08	2800	1000	335 x 250 x 55
NEW FL PFM 125 W 3000 K SYM 100 BK	≥80	<5 %	IK08	3800	1000	381 x 290 x 59
NEW FL PFM 125 W 4000 K SYM 100 BK	≥80	<5 %	IK08	3800	1000	381 x 290 x 59
NEW FL PFM 125 W 6500 K SYM 100 BK	≥80	<5 %	IK08	3800	1000	381 x 290 x 59
NEW FL PFM 165 W 3000 K SYM 100 BK	≥80	<5 %	IK08	4800	1000	418 x 322 x 60
NEW FL PFM 165 W 4000 K SYM 100 BK	≥80	<5 %	IK08	4800	1000	418 x 322 x 60
NEW FL PFM 165 W 6500 K SYM 100 BK	≥80	<5 %	IK08	4800	1000	418 x 322 x 60
NEW FL PFM 200 W 3000 K SYM 100 BK	≥80	<5 %	IK08	6000	1000	454 x 354 x 62
NEW FL PFM 200 W 4000 K SYM 100 BK	≥80	<5 %	IK08	6000	1000	454 x 354 x 62
NEW FL PFM 200 W 6500 K SYM 100 BK	≥80	<5 %	IK08	6000	1000	454 x 354 x 62

¹ t [h]: L70/B50 @ 25 °C (Ta) / t [h]: L80/B10 @ 25 °C (Ta)

FLOODLIGHT SENSOR

Floodlight with flexible motion and daylight sensor



PRODUCT FEATURES

- Aluminium housing with toughened glass, black or white
- Symmetrical beam angle: 100° x 100°
- Mounting bracket with 30° angle and wide rotation
- PIR motion and daylight sensor
- Connection via flexible 1 m cable, wiring required

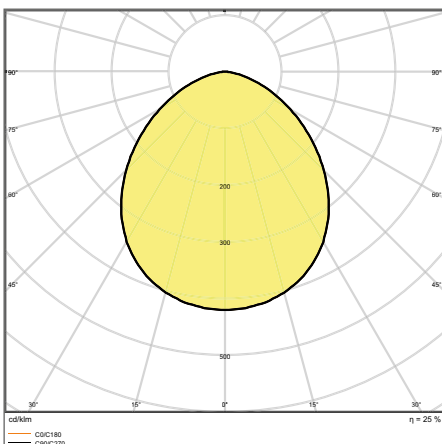
PRODUCT BENEFITS

- Easy configuration of range, daylight and motion detection via rotary switch
- Demand optimized illumination due to flexible and programmable sensor
- Always-on override, activated via special mains switching pattern
- No upper light output ratio (ULOR 0%) when mounted at 0° tilt
- 5 years guarantee

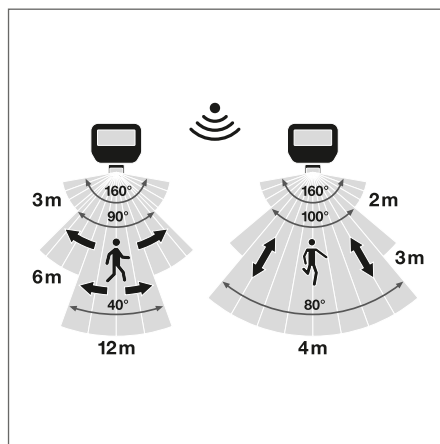
AREAS OF APPLICATION

- Replacement for floodlights with halogen lamps
- Outdoor use (IP65)
- Public areas
- Building facades
- Construction areas

FURTHER PRODUCT DETAILS



FL PFM 50 W 4000 K SYM 100 S BK



¹ Versions with integrated sensor available | ² Refer to www.ledvance.com/guarantee for precise conditions

The pictures shown in the catalog are for illustration purposes only. For information on size and color, please refer to the product table.

Product name	Segmentation	GTIN (EAN)	RE- PLACE- MENT- FOR	W	lm	lm/W	K	L70	L80	°
NEW FL PFM 10 W 3000 K SYM 100 S BK	■	4058075460836	80W HAL	10	1100	110	3000	70000	55000	100 ° x 100 °
NEW FL PFM 10 W 3000 K SYM 100 S WT	■	4058075460850	80W HAL	10	1100	110	3000	70000	55000	100 ° x 100 °
NEW FL PFM 10 W 4000 K SYM 100 S BK	■	4058075460874	80W HAL	10	1200	120	4000	70000	55000	100 ° x 100 °
NEW FL PFM 10 W 4000 K SYM 100 S WT	■	4058075460898	80W HAL	10	1200	120	4000	70000	55000	100 ° x 100 °
NEW FL PFM 20 W 3000 K SYM 100 S BK	■	4058075460911	160W HAL	20	2200	110	3000	70000	55000	100 ° x 100 °
NEW FL PFM 20 W 3000 K SYM 100 S WT	■	4058075460935	160W HAL	20	2200	110	3000	70000	55000	100 ° x 100 °
NEW FL PFM 20 W 4000 K SYM 100 S BK	■	4058075460959	160W HAL	20	2400	120	4000	70000	55000	100 ° x 100 °
NEW FL PFM 20 W 4000 K SYM 100 S WT	■	4058075460973	160W HAL	20	2400	120	4000	70000	55000	100 ° x 100 °
NEW FL PFM 50 W 3000 K SYM 100 S BK	■	4058075460997	400W HAL	50	5500	110	3000	70000	55000	100 ° x 100 °
NEW FL PFM 50 W 3000 K SYM 100 S WT	■	4058075461017	400W HAL	50	5500	110	3000	70000	55000	100 ° x 100 °
NEW FL PFM 50 W 4000 K SYM 100 S BK	■	4058075461031	400W HAL	50	6000	120	4000	70000	55000	100 ° x 100 °
NEW FL PFM 50 W 4000 K SYM 100 S WT	■	4058075461055	400W HAL	50	6000	120	4000	70000	55000	100 ° x 100 °



Product name	CRI	IK	KABEL- LÄNGE	L x W x H [mm]	Ø x H [mm]
NEW FL PFM 10 W 3000 K SYM 100 S BK	≥80	IK07	440	1000	159 x 131 x 53
NEW FL PFM 10 W 3000 K SYM 100 S WT	≥80	IK07	440	1000	159 x 131 x 53
NEW FL PFM 10 W 4000 K SYM 100 S BK	≥80	IK07	440	1000	159 x 131 x 53
NEW FL PFM 10 W 4000 K SYM 100 S WT	≥80	IK07	440	1000	159 x 131 x 53
NEW FL PFM 20 W 3000 K SYM 100 S BK	≥80	IK07	570	1000	176 x 156 x 55
NEW FL PFM 20 W 3000 K SYM 100 S WT	≥80	IK07	570	1000	176 x 156 x 55
NEW FL PFM 20 W 4000 K SYM 100 S BK	≥80	IK07	570	1000	176 x 156 x 55
NEW FL PFM 20 W 4000 K SYM 100 S WT	≥80	IK07	570	1000	176 x 156 x 55
NEW FL PFM 50 W 3000 K SYM 100 S BK	≥80	IK07	1060	1000	225 x 219 x 59
NEW FL PFM 50 W 3000 K SYM 100 S WT	≥80	IK07	1060	1000	225 x 219 x 59
NEW FL PFM 50 W 4000 K SYM 100 S BK	≥80	IK07	1060	1000	225 x 219 x 59
NEW FL PFM 50 W 4000 K SYM 100 S WT	≥80	IK07	1060	1000	225 x 219 x 59

SENSOR PROPERTIES

Product name	Type of sensor	Sensor technology	Detection threshold of daylight sensor	Detection range of motion sensor	Sensor detection angle	Sensor controlled switching time
FLOODLIGHT SENSOR 10 W	Motion/Light	Passive infrared/Photocell	10...2000 lx	2...12 m	40°...160 °	10 s...12 min
FLOODLIGHT SENSOR 20 W	Motion/Light	Passive infrared/Photocell	10...2000 lx	2...12 m	40°...160 °	10 s...12 min
FLOODLIGHT SENSOR 50 W	Motion/Light	Passive infrared/Photocell	10...2000 lx	2...12 m	40°...160 °	10 s...12 min

¹ t [h]: L70/B50 @ 25 °C (Ta) / t [h]: L80/B10 @ 25 °C (Ta)

FLOODLIGHT PHOTOCELL

Floodlight



PRODUCT FEATURES

- Aluminum housing with toughened glass, black
- Integrated photocell daylight sensor, auto on <35 lx, auto off >95 lx
- Symmetrical beam angle: 100° x 100°
- Mounting bracket with 30° angle and wide rotation
- Connection via flexible 1 m cable, wiring required

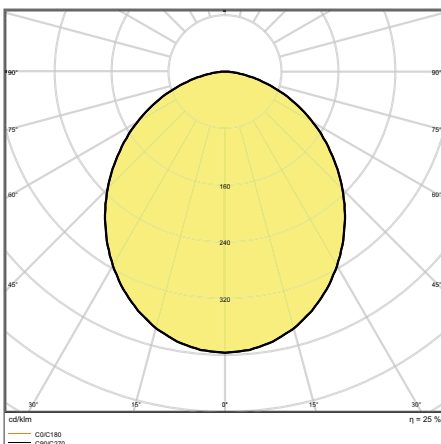
PRODUCT BENEFITS

- Automatically switches on and off according to available daylight thanks to photocell light sensor
- Always-on override, activated via special mains switching pattern
- No upper light output ratio (ULOR 0%) when mounted at 0° tilt
- Impact resistance: IK08 (IK08 photocell sensor)
- 5 years guarantee

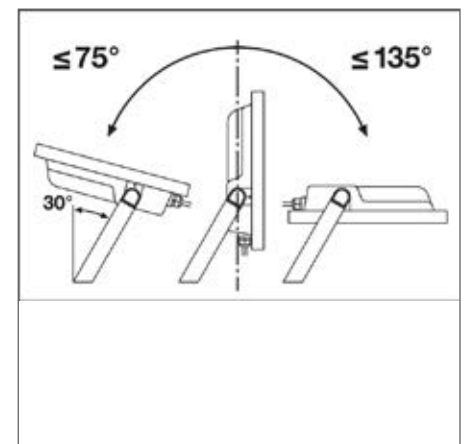
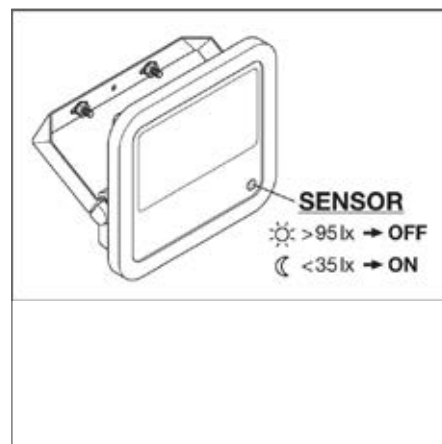
AREAS OF APPLICATION

- Replacement for floodlights with halogen lamps
- Outdoor use (IP65)
- Industry
- Public areas
- Construction areas

FURTHER PRODUCT DETAILS



FL PFM 200 W 4000 K SYM 100 SL BK



¹ Versions with integrated sensor available | ² Refer to www.ledvance.com/guarantee for precise conditions

The pictures shown in the catalog are for illustration purposes only. For information on size and color, please refer to the product table.

Product name	Segmentation	GTIN (EAN)	RE-PLACEMENT-FOR	W	lm	lm/W	K	L70 ¹	L80 ¹	
NEW FL PFM 65W 4000 K SYM 100 SL BK	■	4058075461093	500W HAL	65	8000	125	4000	70000	55000	100 ° x 100 °
NEW FL PFM 80 W 4000 K SYM 100 SL BK	■	4058075461130	750W HAL	80	10000	125	4000	70000	55000	100 ° x 100 °
NEW FL PFM 125 W 4000 K SYM 100 SL BK	■	4058075461161	1000 W HAL	125	15000	125	4000	70000	55000	100 ° x 100 °
NEW FL PFM 165 W 4000 K SYM 100 SL BK	■	4058075461185	1500W HAL	165	20000	125	4000	70000	55000	100 ° x 100 °
NEW FL PFM 200 W 4000 K SYM 100 SL BK	■	4058075461208	2000W HAL	200	25000	125	4000	70000	55000	100 ° x 100 °

Product name	CRI	FLICKER VALUE	IK		KABEL-LÄNGE	L x W x H [mm] Ø x H [mm]
NEW FL PFM 65W 4000 K SYM 100 SL BK	≥80	-	IK08	2100	1000	268 x 237 x 49
NEW FL PFM 80 W 4000 K SYM 100 SL BK	≥80	-	IK08	2800	1000	335 x 250 x 55
NEW FL PFM 125 W 4000 K SYM 100 SL BK	≥80	<5 %	IK08	3800	1000	381 x 290 x 59
NEW FL PFM 165 W 4000 K SYM 100 SL BK	≥80	<5 %	IK08	4800	1000	418 x 322 x 60
NEW FL PFM 200 W 4000 K SYM 100 SL BK	≥80	<5 %	IK08	6000	1000	454 x 354 x 62

SENSOR PROPERTIES

Product name	Type of sensor	Sensor technology	Detection threshold of daylight sensor
FLOODLIGHT PHOTOCELL 65 W	Light	Photocell	35...95 lx
FLOODLIGHT PHOTOCELL 80 W	Light	Photocell	35...95 lx
FLOODLIGHT PHOTOCELL 125 W	Light	Photocell	35...95 lx
FLOODLIGHT PHOTOCELL 165 W	Light	Photocell	35...95 lx
FLOODLIGHT PHOTOCELL 200 W	Light	Photocell	35...95 lx

¹ t [h]: L70/B50 @ 25 °C (Ta) / t [h]: L80/B10 @ 25 °C (Ta)

FLOODLIGHT VALUE

Floodlight



PRODUCT FEATURES

- Luminaire efficacy: up to 90 lm/W
- Symmetrical beam angle: 110° x 110°
- Mounting bracket for up to 180° tilting
- Type of protection: IP44
- Impact resistance: IK06 (10 W to 50 W), IK08 (from 100 W)

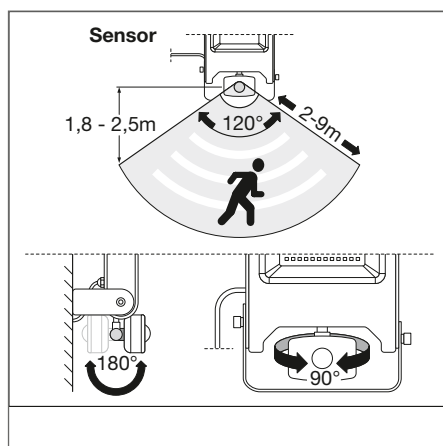
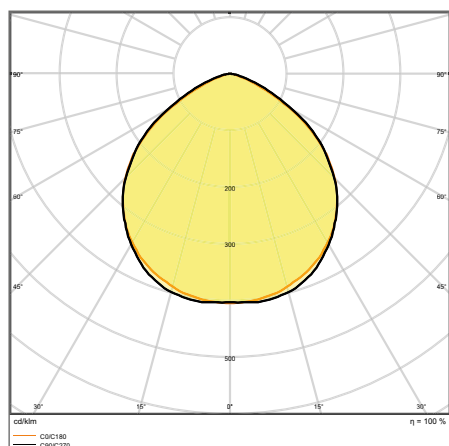
PRODUCT BENEFITS

- Energy savings of up to 80 % compared to halogen lamp floodlights
- Semi-matt surface with great look and feel
- Quick and simple installation thanks to low profile, compact and light weight design
- 3 years guarantee

AREAS OF APPLICATION

- Replacement for floodlights with halogen lamps
- Car parks and underpasses
- Public areas
- Building facades
- Construction areas

FURTHER PRODUCT DETAILS



FLOODLIGHT VALUE 100 W 4000 K IP65 BK

¹ Versions with integrated sensor available | ² Refer to www.ledvance.com/guarantee for precise conditions

The pictures shown in the catalog are for illustration purposes only. For information on size and color, please refer to the product table.

FLOODLIGHT VALUE

Floodlight

Product name	Segmentation	GTIN (EAN)	RE-PLACE-MENT FOR	W	lm	lm/W	K	L70 ¹	°
FLOODLIGHT VALUE 10 W 4000 K IP65 BK	■	4058075268586	80W HAL	10	800	80	4000	30000	110 ° x 110 °
FLOODLIGHT VALUE 20 W 4000 K IP65 BK	■	4058075268609	160W HAL	20	1700	85	4000	30000	110 ° x 110 °
FLOODLIGHT VALUE 30 W 4000 K IP65 BK	■	4058075268623	250W HAL	30	2700	90	4000	30000	110 ° x 110 °
FLOODLIGHT VALUE 50 W 4000 K IP65 BK	■	4058075268647	400W HAL	50	4500	90	4000	30000	110 ° x 110 °
FLOODLIGHT VALUE 100 W 4000 K IP65 BK	■	4058075268661	750W HAL	100	9000	88	4000	30000	110 ° x 110 °



Product name	CRI	IP	IK	g	KABEL-LÄNGE	L x W x H [mm] Ø x H [mm]
FLOODLIGHT VALUE 10 W 4000 K IP65 BK	≥80	IP65	IK06	280	500	108x93x33
FLOODLIGHT VALUE 20 W 4000 K IP65 BK	≥80	IP65	IK06	360	500	137x118x34
FLOODLIGHT VALUE 30 W 4000 K IP65 BK	≥80	IP65	IK06	650	500	175x153x39
FLOODLIGHT VALUE 50 W 4000 K IP65 BK	≥80	IP65	IK06	1050	500	295x270x70
FLOODLIGHT VALUE 100 W 4000 K IP65 BK	≥80	IP65	IK08	3500	1000	223x191x43

FLOODLIGHT VALUE SENSOR

Floodlight with motion and daylight sensor

Product name	Segmentation	GTIN (EAN)	RE-PLACE-MENT FOR	W	lm	lm/W	K	L70 ¹	°
FLOODLIGHT VALUE Sensor 10 W 4000 K IP44 BK	■	4058075268685	80W HAL	10	800	80	4000	30000	110 ° x 110 °
FLOODLIGHT VALUE Sensor 20 W 4000 K IP44 BK	■	4058075268708	160W HAL	20	1700	85	4000	30000	110 ° x 110 °
FLOODLIGHT VALUE Sensor 30 W 4000 K IP44 BK	■	4058075268722	250W HAL	30	2700	90	4000	30000	110 ° x 110 °
FLOODLIGHT VALUE Sensor 50 W 4000 K IP44 BK	■	4058075268746	400W HAL	50	4500	90	4000	30000	110 ° x 110 °



Product name	CRI	IP	IK	g	KABEL-LÄNGE	L x W x H [mm] Ø x H [mm]
FLOODLIGHT VALUE Sensor 10 W 4000 K IP44 BK	≥80	IP44	IK06	350	500	154x93x63
FLOODLIGHT VALUE Sensor 20 W 4000 K IP44 BK	≥80	IP44	IK06	490	500	178x118x66
FLOODLIGHT VALUE Sensor 30 W 4000 K IP44 BK	≥80	IP44	IK06	720	500	211x153x66
FLOODLIGHT VALUE Sensor 50 W 4000 K IP44 BK	≥80	IP44	IK06	1150	500	253x191x70

SENSOR PROPERTIES

Product name	Type of sensor	Sensor technology	Detection threshold of daylight sensor	Detection range of motion sensor	Sensor detection angle	Sensor controlled switching time
FLOODLIGHT VALUE SENSOR	Motion/Light	Passive infrared (PIR)	10...2000 lx	2...9 m	120 °	10 s...10 min

¹ t [h]: L70/B50 @ 25 °C (Ta) / t [h]: L80/B10 @ 25 °C (Ta)

WORK LIGHT

PRACTICAL, HANDY AND FUNCTIONAL: WORK LIGHTS FOR MOBILE USE

WORKLIGHT VALUE

Page 178

VALUE CLASS



H-STAND



H-STAND-PO WITH SOCKETS



TRIPOD

VERSATILE LED WORK LIGHTS

- Plug-and-play work lights with up to 9,000 lumens of light output
- Variable telescopic tripods with two luminaire heads, height adjustable up to 1.8 m, rotates through 360° and swivels through 180°
- “H-STAND” floor stand available with two additional IP44 protected sockets up to 3,000 W at the back



WORKLIGHT VALUE

Versatile LED worklights



PRODUCT FEATURES

- Aluminum die-cast housing, black (similar to RAL 9017) with toughened glass
- Plug and play“ worklights with up to 9000 lm“
- Cable with type E/F plug included
- Type of protection: luminaire head + housing IP65, socket and plug IP44
- Quick-release fastener for adjustment of luminaire head angle

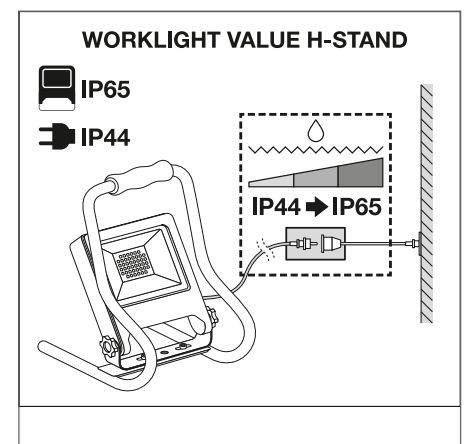
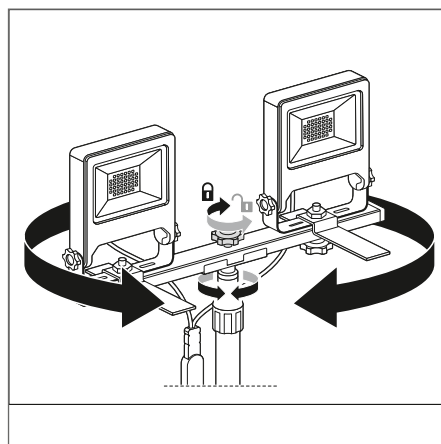
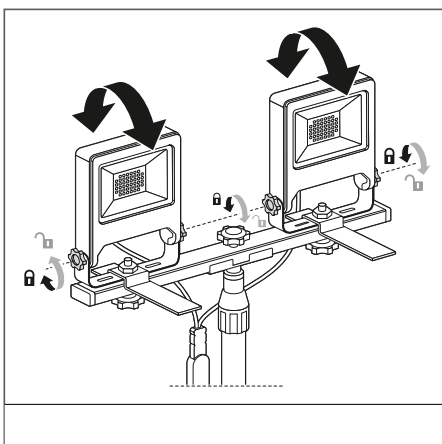
PRODUCT BENEFITS

- Worklight with carry handle and with double socket or stand (adjustable up to a height of 1.8 m)
- Semi-frosted, tempered glass cover for uniform illumination
- Energy savings of up to 80% compared to halogen lamp worklights
- Very flexible use through 90° swivel angle, and 360° angle of rotation of the stand
- 3 years guarantee

AREAS OF APPLICATION

- Renovation
- Garages
- Basement
- Workshops

FURTHER PRODUCT DETAILS



¹ Refer to www.ledvance.com/guarantee for precise conditions

The pictures shown in the catalog are for illustration purposes only. For information on size and color, please refer to the product table.

Product name	Segmentation	GTIN (EAN)	RE-PLACEMENT FOR	W	lm	lm/W	K	L70 ¹	t [h]	°
WORK VAL 3POD 2x30 W 4000 K IP65	■	4058075308855	2x250W HAL	60	5400	90	4000	30000	110	
WORK VAL 3POD 2x50 W 4000 K IP65	■	4058075308879	2x400W HAL	100	9000	90	4000	30000	110	
WORK VAL H-STAND 50 W 4000 K IP65	■	4058075322493	400W HAL	50	4500	90	4000	30000	110	
WORK VAL H-STAND-PO 50 W 4000 K IP44	■	4058075322516	400W HAL	50	4500	90	4000	30000	110	



Product name	CRI	IP	IK	IK	KABEL-LÄNGE	L x W x H [mm]	Ø x H [mm]	No.
WORK VAL 3POD 2x30 W 4000 K IP65	≥80	IP65	IK06	3920	2000	680x780x1750	-	-
WORK VAL 3POD 2x50 W 4000 K IP65	≥80	IP65	IK06	4800	2000	680x780x1800	-	3
WORK VAL H-STAND 50 W 4000 K IP65	<80	IP65	IK06	2270	2000	264x270x375	-	-
WORK VAL H-STAND-PO 50 W 4000 K IP44	<80	IP44	IK06	2720	3000	278x270x375	-	2

¹ t [h]: L70/B50 @ 25 °C (Ta) / t [h]: L80/B10 @ 25 °C (Ta)

OUTDOOR DECORATIVE LUMINAIRES

BEAUTIFUL LIGHT IS NOT A QUESTION OF SPACE: OUR FACADE AND PATHWAY LUMINAIRES

OUTDOOR

Page 182

- OUTDOOR LANTERN
- OUTDOOR EDGE
- OUTDOOR UPDOWN
- OUTDOOR BELT
- OUTDOOR SPOT
- OUTDOOR ROUND
- OUTDOOR SQUARE
- OUTDOOR INDIRECT

VALUE
CLASS



OPTIMUM OUTDOOR LIGHTING

- Attractive design combined with high-quality materials and finishes
- Robust and weatherproof (up to IP54)
- Appealing warm white (3,000 K) illumination for a welcoming atmosphere
- Easy installation, all necessary accessories included

Our facade and directional luminaires stand out for the materials used and their design, and provide pleasant outdoor lighting.



OUTDOOR

Outdoor Decorative luminaires



PRODUCT FEATURES

- Die-cast aluminum housing
- Type of protection: IP54
- Available as wall, ceiling and bollard luminaires
- Bright and functional outdoor LED luminaires
- Outdoor Facade Edge also available as a sensor version

PRODUCT BENEFITS

- Energy-efficient thanks to LED technology
- Easy and quick installation
- Homogeneous light output
- 5 years guarantee

AREAS OF APPLICATION

- Outdoor
- Building facades
- Entrance lighting
- Gardens, balconies and other outdoor areas

EQUIPMENT / ACCESSORIES

- Complete mounting and connecting accessories included

¹ Versions with integrated sensor available | ² Refer to www.ledvance.com/guarantee for precise conditions

The pictures shown in the catalog are for illustration purposes only. For information on size and color, please refer to the product table.

Product name	Segmentation	GTIN (EAN)	RE-PLACEMENT FOR	W	lm	lm/W	K	L70 ¹	°
O FACADE SPOT 8 W 3000 K IP54 GY	■	4058075074712	1x40W GLS	8	440	55	3000	30000	110
O FACADE SPOT 8 W 3000 K IP54 WT	■	4058075074736	1x40W GLS	8	460	60	3000	30000	110
O FACADE EDGE 12 W 3000 K IP54 GY	■	4058075074750	1x60W GLS	12	740	60	3000	30000	110
O FACADE EDGE 12 W 3000 K IP54 WT	■	4058075074774	1x60W GLS	12	770	65	3000	30000	107
O FACADE EDGE SENSOR 12 W 3000 K IP54 S GY	■	4058075074798	1x60W GLS	12	740	60	3000	30000	107
O FACADE EDGE SENSOR 12 W 3000 K IP54 S WT	■	4058075074811	1x60W GLS	12	770	65	3000	30000	107
O FACADE LANTERN 12 W 3000 K IP54 GY	■	4058075074835	1x40W GLS	12	610	50	3000	30000	210
O BOLLARD 500 LANTERN 12 W 3000 K IP54 GY	■	4058075074859	1x40W GLS	12	610	50	3000	30000	210
O BOLLARD 900 LANTERN 12 W 3000 K IP54 GY	■	4058075074873	1x40W GLS	12	610	50	3000	30000	210
O SURFACE RD 13 W 3000 K IP54 GY	■	4058075074897	1x40W GLS	13	480	35	3000	30000	100
O SURFACE RD 13 W 3000 K IP54 WT	■	4058075074910	1x40W GLS	13	600	45	3000	30000	100
O SURFACE SQ 13 W 3000 K IP54 GY	■	4058075074934	1x40W GLS	13	480	35	3000	30000	100
O SURFACE SQ 13 W 3000 K IP54 WT	■	4058075074958	1x40W GLS	13	600	45	3000	30000	100
O FACADE BELT RD 11 W 3000 K IP54 GY	■	4058075074972	1x40W GLS	11	400	35	3000	30000	335
O FACADE BELT SQ 11 W 3000 K IP54 GY	■	4058075074996	1x40W GLS	11	410	35	3000	30000	340
O FACADE IND RD 13 W 3000 K IP54 GY	■	4058075075016	1x40W GLS	13	480	35	3000	30000	240
LED FACADE INDIRECT 13 W 3000 K RD WT	■	4058075075030	1x60W GLS	13	640	50	3000	30000	240
O FACADE UPDOWN 12 W 3000 K IP54 GY	■	4058075075054	1x60W GLS	12	700	60	3000	30000	280
O FACADE UPDOWN 12 W 3000 K IP54 WT	■	4058075075078	1x60W GLS	12	710	60	3000	30000	280



Product name	CRI	IK	g	L x W x H [mm]	Ø x H [mm]	No.
O FACADE SPOT 8 W 3000 K IP54 GY	≥80	IK06	600	135x90x140		1
O FACADE SPOT 8 W 3000 K IP54 WT	≥80	IK06	600	135x90x140		-
O FACADE EDGE 12 W 3000 K IP54 GY	≥80	IK06	1300	168x100x273		2
O FACADE EDGE 12 W 3000 K IP54 WT	≥80	IK06	1300	168x100x273		-
O FACADE EDGE SENSOR 12 W 3000 K IP54 S GY	≥80	IK06	1300	168x100x273		3
O FACADE EDGE SENSOR 12 W 3000 K IP54 S WT	≥80	IK06	1300	168x100x273		-
O FACADE LANTERN 12 W 3000 K IP54 GY	≥80	IK06	1300	176x110x240		4
O BOLLARD 500 LANTERN 12 W 3000 K IP54 GY	≥80	IK06	1900	110x500		5
O BOLLARD 900 LANTERN 12 W 3000 K IP54 GY	≥80	IK06	3100	110x900		6
O SURFACE RD 13 W 3000 K IP54 GY	≥80	IK06	770	202x45		-
O SURFACE RD 13 W 3000 K IP54 WT	≥80	IK06	770	202x45		7
O SURFACE SQ 13 W 3000 K IP54 GY	≥80	IK06	910	202x202x45		-
O SURFACE SQ 13 W 3000 K IP54 WT	≥80	IK06	910	202x202x45		8
O FACADE BELT RD 11 W 3000 K IP54 GY	≥80	IK06	720	60x240x142		-
O FACADE BELT SQ 11 W 3000 K IP54 GY	≥80	IK06	750	60x240x142		9
O FACADE IND RD 13 W 3000 K IP54 GY	≥80	IK06	790	150x118		-
LED FACADE INDIRECT 13 W 3000 K RD WT	≥80	IK06	790	150x118		10
O FACADE UPDOWN 12 W 3000 K IP54 GY	≥80	IK06	480	55x90x160		11
O FACADE UPDOWN 12 W 3000 K IP54 WT	≥80	IK06	480	55x90x160		-

SENSOR PROPERTIES

Product name	Type of sensor	Sensor technology	Detection threshold of daylight sensor	Detection range of motion sensor	Sensor detection angle	Sensor controlled switching time
OUTDOOR FACADE EDGE	Motion/Light	Passive infrared (PIR)	10/2000 lx	3/6 m	120 °	5 s/30 s/1 min/3 min/5 min/8 min

¹ t [h]: L70/B50 @ 25 °C (Ta) / t [h]: L80/B10 @ 25 °C (Ta)

EMERGENCY LIGHTING

SAFETY: A QUESTION OF LIGHT

Using the right emergency lighting, buildings can be evacuated quickly and safely. It helps prevent panic. This requires the installed luminaires to work even if power supply is interrupted. LEDVANCE offers a wide range of certified single-battery emergency luminaires and emergency lighting components that can be retrofitted:

1. LUMINAIRES WITH ADDITIONAL EMERGENCY LIGHTING FUNCTIONALITY

Many standard LEDVANCE luminaires are also available as single-battery luminaires. This allows you to implement the emergency lighting in the same style as your luminaire installation.

2. EMERGENCY CONVERSION BOX

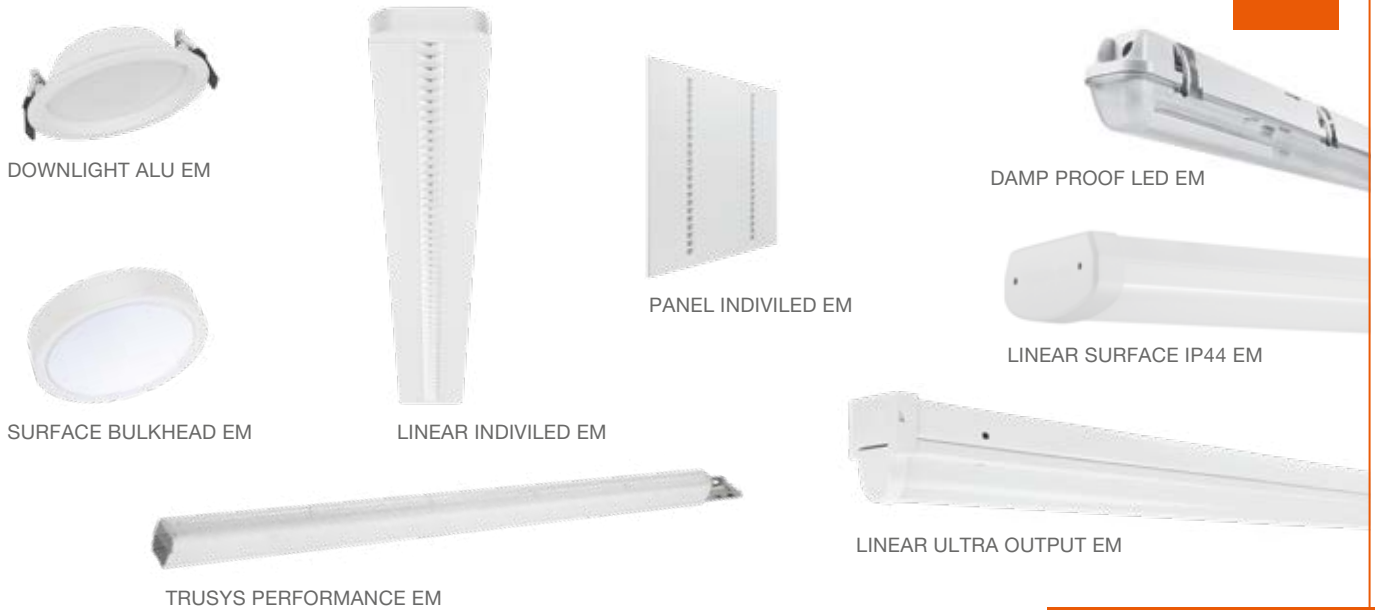
With the Emergency Conversion Box, which is available separately, you can quickly and easily convert a selection of your LEDVANCE Panels and Downlights into single-battery emergency luminaires.

For details go to www.ledvance.com/emergency



STANDARD LUMINAIRES WITH EMERGENCY LIGHTING FUNCTIONALITY

1



LEDVANCE OFFERS AN EXTENSIVE PORTFOLIO OF SINGLE-BATTERY EMERGENCY LUMINAIRES

- Emergency luminaires certified to EN 60598-2-22
- Integrated automatic test function for simple testing of emergency lighting operation
- Emergency lighting and battery status display by means of integrated status LED
- Emergency lighting operated on a long-life LiFePO4 battery (3h discharge time)

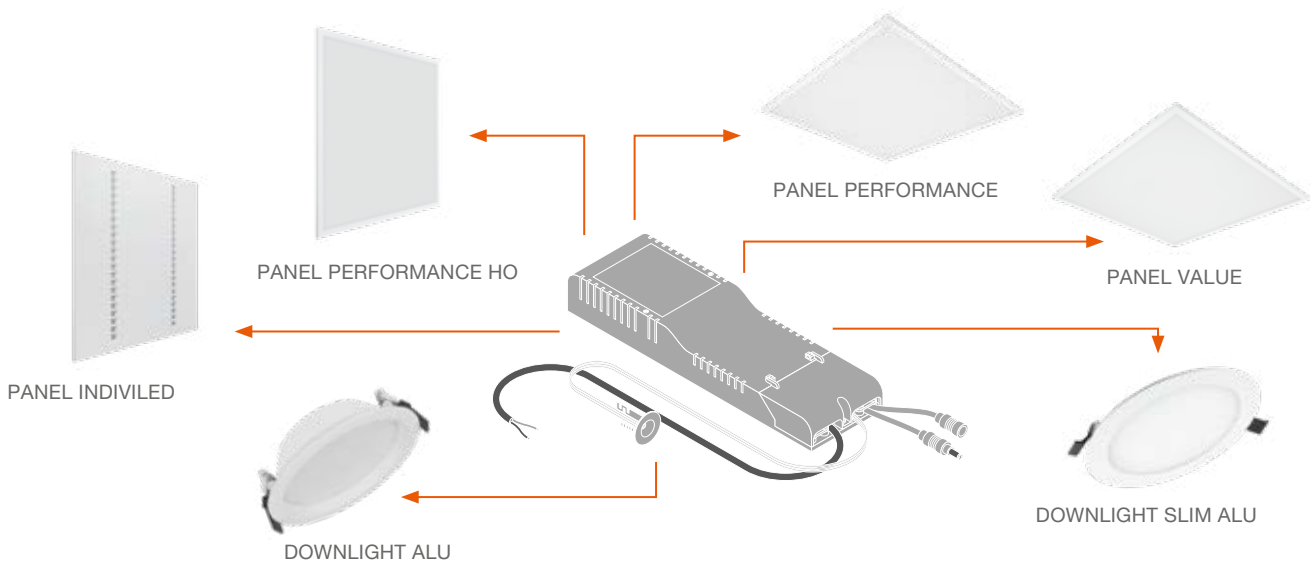
For details of the available EANs see the relevant product sections of the luminaires displayed.

LUMINAIRE UPGRADES WITH THE EMERGENCY CONVERSION BOX

Page 187

The following selection of LEDVANCE Panels and Downlights can be upgraded to single-battery emergency luminaires with the **Emergency Conversion Box**:

2



YOUR BENEFITS OF UPGRADING WITH THE EMERGENCY CONVERSION BOX:

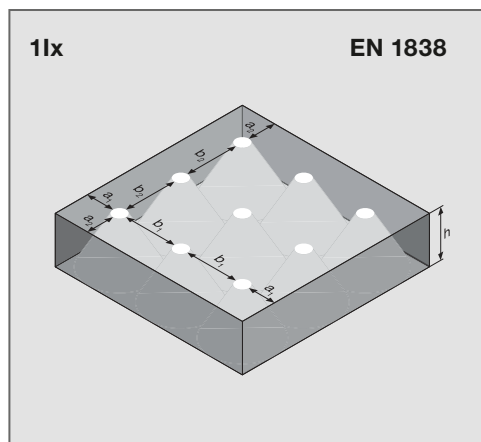
- Plug-and-play system allows easy installation and quick conversion of existing luminaires
- Emergency lighting module reduces warehousing complexity for emergency luminaires
- Integrated automatic test function for simple testing of emergency lighting operation
- Emergency lighting operated on a long-life LiFePO4 battery (3h discharge time)

DAMP PROOF LED EMERGENCY: PLANNING EXAMPLE FOR ANTI-PANIC AND ESCAPE ROUTE LIGHTING



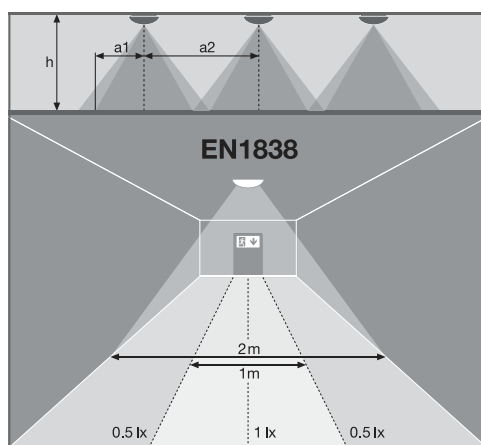
DAMP PROOF LED EM

For more information and planning aids for emergency luminaires see the eCatalog at www.ledvance.com/professional



ANTI-PANIC LIGHTING

h [m]	a ₁ [m]	b ₁ [m]	a ₂ [m]	b ₂ [m]
2.5	4.0	9.5	4.0	9.0
3.0	4.5	10.0	4.5	9.5
3.5	5.0	10.5	5.0	10.0
4.0	5.5	11.0	5.5	10.5



ESCAPE ROUTE LIGHTING

h [m]	a ₁ [m]	a ₂ [m]
2.5	4.0	9.0
3.0	4.5	9.5
3.5	5.0	10.0
4.0	5.5	10.5

EMERGENCY CONVERSION BOX

Emergency conversion box to convert recessed luminaires to self-contained emergency luminaires



- Self-contained emergency conversion unit
- Function test of emergency lighting: automatic (AT)
- Battery technology: LiFePO4
- Recessed ceiling mounting
- Conversion of selected LEDVANCE panels and downlights to emergency luminaires
- Emergency conversion unit reduces stock keeping complexity from emergency lighting
- Plug-and-play system allows easy installation
- Simple testing of luminaires with emergency lighting function thanks to integrated automatic test function
- Operation of integrated emergency lighting function with long life LiFePO4 battery with 3h battery discharge time

Product name	GTIN (EAN)	L × W × H [mm] ∅ × H [mm]	MATERIAL	COLOR	No.	No.
EM Conversion Box	4058075237025	292 x 81 x 41	-	-	1	1

EMERGENCY LIGHTING PROPERTIES

Product name	Battery life in emergency operation mode	Type of emergency operation test	Type of emergency light operation	Luminous flux in emergency operation mode	Type of Battery
EM Conversion Box	3h	Automatic	Maintained/Non-maintained	300...480 lm (depending on the luminaire)	LiFePO4

HIGH-QUALITY, COMPACT AND EFFICIENT LEDVANCE LED DRIVERS FOR CONSTANT CURRENT

LEDVANCE also offers the right solution for integration in LED luminaires or operation of independent indoor downlighting/spotlighting with its drivers for constant current (CC).



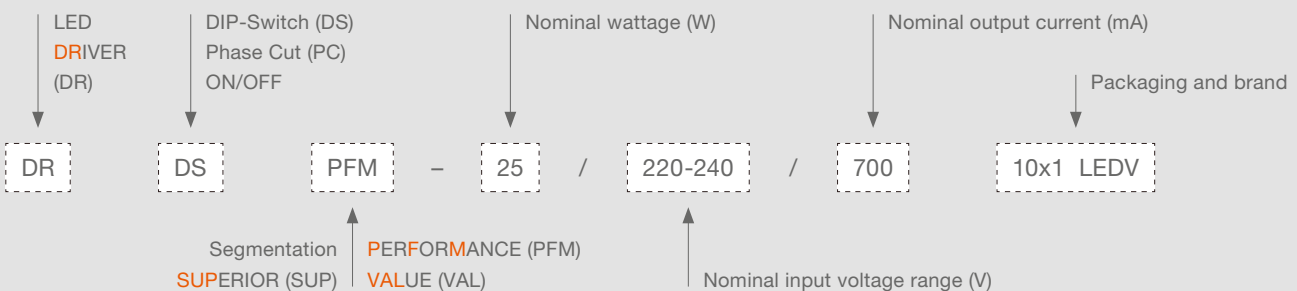
The wide range of high-quality SELV-insulated LEDVANCE constant current LED drivers with output currents of 250 mA to 1,400 mA provides you with solid options for operating virtually all standard LED modules. Flexible power

settings allow for correct integration in different LED luminaires. Leading-edge and trailing-edge phase cut options are available for dimming applications. The compact housing design, optional cable clamps and simple wiring make installa-

tion quick and easy even in tight spaces, reducing your installation time and costs. The life of up to 50,000 hours is another strong argument.

NAMING OF THE CC DRIVERS

The names of the CC drivers reveal their properties:







LED DRIVER DALI PERFORMANCE

Compact constant current LED driver with DALI dimming interface



PRODUCT BENEFITS

- Low flickering enables high light quality as well as good visual comfort
- Push DIM application for easy control
- High-quality dimming of 1...100 %
- Suitable for emergency lighting
- 5 years guarantee

AREAS OF APPLICATION

- Suitable for indoor SELV installations
- Suitable for use in emergency lighting systems (DC capable)
- Installation via possible (depending on version of product)
- Linear lighting for office, education, storage areas and retail

Product name	GTIN (EAN)	W	V	V _{OUT}	Hz	I [mA]
DR DALI-PFM-26/220-240/700	4058075421882	26	220...240	9...52	50/60	150/200/250/300/350/400/450/500/550/600/650/700
DR DALI-PFM-44/220-240/1050	4058075421905	44	220...240	9...52	50/60	700/750/800/850/900/950/1000/1050
DR DALI-PFM-60/220-240/1A4	4058075421929	60	220...240	9...52	50/60	700/750/800/850/900/950/1000/1050/1100/1200/1250/1300/1350/1400

Product name	Δ%	W	t _{in} ²	T _a	T _c	PROTECTION CLASS	L x B x H [mm]	No.
DR DALI-PFM-26/220-240/700	+/- 5	1...100	50000	-20...+50	85	I	90x44x32	1
DR DALI-PFM-44/220-240/1050	+/- 5	1...100	50000	-20...+50	90	I	90x44x32	2
DR DALI-PFM-60/220-240/1A4	+/- 5	1...100	50000	-20...+50	90	I	100x76x32	3

EQUIPMENT / ACCESSORIES



Product name	DR AY ZB-DALI CLAMP DUO
Description	-
GTIN (EAN)	4058075483125
L x B x H [mm]	52.5 x 76 x 32



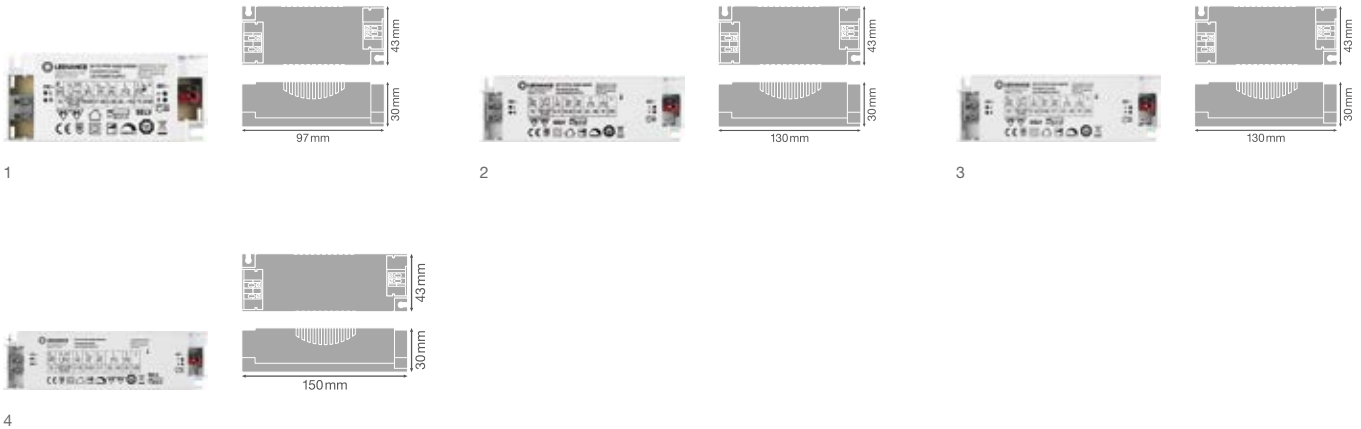
Product name	DR AY ZB-DALI CLAMP
Description	-
GTIN (EAN)	4058075483149
L x B x H [mm]	50 x 44 x 32

¹ Refer to www.ledvance.com/guarantee for precise conditions | ² At maximum T_c / 10% failure rate

LED DRIVER PHASE-CUT PERFORMANCE



Constant current LED driver with phase-cut dimming interface



PRODUCT BENEFITS

- Enables installation with commonly used leading-edge and trailing-edge dimmers
- 5 years guarantee
- Slim housing for narrow installations
- High efficiency and reliability

AREAS OF APPLICATION

- Suitable for LED luminaires and LED modules
- Applicable for luminaires of protection classes I and II
- For indoor SELV installations
- Offices, shopping centers, hospitals, restaurants, hotels

Product name	GTIN (EAN)	W	V	V _{OUT}	Hz	I _{MA}	IP
DR PC-PFM-13/220-240/350	4058075239814	13	220...240	17...36	50/60	350	< 5
DR PC-PFM-18/220-240/350	4058075239838	18	220...240	32...54	50/60	350	< 5
DR PC-PFM-25/220-240/700	4058075239852	25	220...240	20...36	50/60	700	< 5
DR PC-PFM-35/220-240/700	4058075239876	35	220...240	30...50	50/60	700	< 5

Product name	W	t _{th} ²	T _a	T _c	PROTECTION CLASS	L × B × H [mm]	No.
DR PC-PFM-13/220-240/350	10...100	50000 ^{a)}	-20...+50	75	II	97x43x30	1
DR PC-PFM-18/220-240/350	10...100	50000 ^{b)}	-20...+50	70	II	130x43x30	2
DR PC-PFM-25/220-240/700	10...100	50000 ^{b)}	-20...+50	75	II	130x43x30	3
DR PC-PFM-35/220-240/700	10...100	50000 ^{c)}	-20...+50	85	II	150x43x30	4

EQUIPMENT / ACCESSORIES



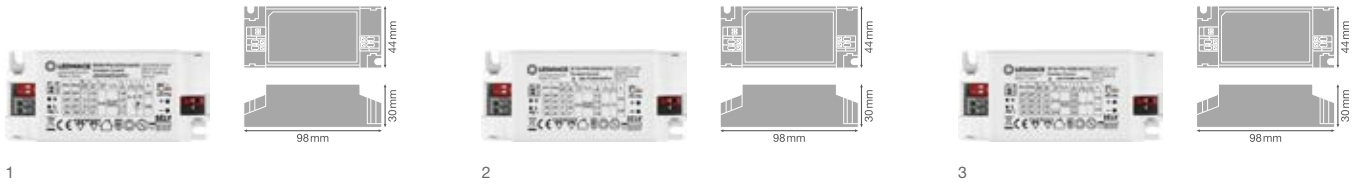
Product name	DR AY PC-PFM-CLAMP DUO
Description	Cable clamps for Phase-Cut LED Drivers
GTIN (EAN)	4058075313170
L × B × H [mm]	38.3x34x28.5

¹ Refer to www.ledvance.com/guarantee for precise conditions | ² a) At maximum T_c = 75°C / 10% failure rate, b) At maximum T_c = 70°C / 10% failure rate, c) At maximum T_c = 85°C / 10% failure rate



LED DRIVER DIP-SWITCH PERFORMANCE

Constant current LED driver with dip-switch current setting



PRODUCT BENEFITS

- High flexibility due to adjustable output currents via dip switch
- Low flickering enables high light quality as well as good visual comfort
- 5 years guarantee
- Slim housing for narrow installations
- High efficiency and reliability

AREAS OF APPLICATION

- Suitable for LED luminaires and LED modules
- Applicable for luminaires of protection classes I and II
- Suitable for build-in luminaires with adjustable current setting
- For indoor SELV installations
- Offices, shopping centers, hospitals, restaurants, hotels

Product name	GTIN (EAN)	W	V	V _{OUT}	Hz	I _{mA}	
DR DS-PFM-20/220-240/500	4058075239753	20	220...240	25...42	50/60	250/350/450/500	< 5
DR DS-PFM-30/220-240/700	4058075239777	30	220...240	25...42	50/60	500/600/650/700	< 5
DR DS-PFM-40/220-240/1A0	4058075239791	40	220...240	25...40	50/60	800/900/950/1050	< 5

Product name	t _{in} ²	T _a	T _c	PROTECTION CLASS	L × B × H [mm]	
DR DS-PFM-20/220-240/500	50000	-20...+50	75	II	98x44x30	1
DR DS-PFM-30/220-240/700	50000	-20...+50	75	II	98x44x30	2
DR DS-PFM-40/220-240/1A0	50000	-20...+45	75	II	98x44x30	3

EQUIPMENT / ACCESSORIES



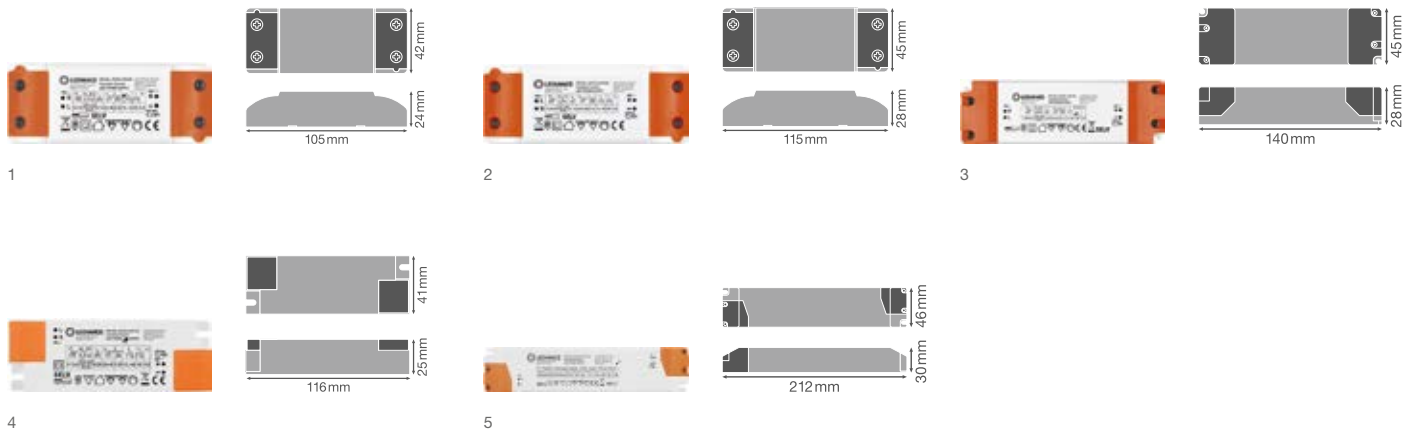
Product name	DR AY DS-PFM-CLAMP DUO
Description	Cable clamps for DIP-Switch LED Drivers
GTIN (EAN)	4058075313200
L × B × H [mm]	35.7 x 35.2 x 28.2

¹ Refer to www.ledvance.com/guarantee for precise conditions | ² At maximum T_c = 75°C / 10% failure rate



LED DRIVER VALUE

Constant current LED driver with dedicated current



LEDVANCE ¹
3 year guarantee
 CC 350-1400 mA
 IP20

PRODUCT BENEFITS

- Suitable for operation with many discrete LED and COB LED
- Excellent price/performance ratio
- 3 years guarantee
- Quick and simple installation
- High efficiency and reliability

AREAS OF APPLICATION

- Suitable for LED luminaires and LED modules
- Applicable for luminaires of protection classes I and II
- For indoor SELV installations
- Offices, shopping centers, hospitals, restaurants, hotels

Product name	GTIN (EAN)	W	V	V _{OUT}	Hz	I _{mA}	IP
DR-VAL-15/220-240/350	4058075240193	15	220...240	30...46	50/60	350	< 5
DR-VAL-20/220-240/500	4058075240216	20	220...240	28.5...48	50/60	500	< 5
DR-VAL-30/220-240/700	4058075240230	30	220...240	26...43	50/60	700	< 5
DR-VAL-45/220-240/1A0	4058075240254	45	220...240	30...40	50/60	1050	< 5
DR-VAL-60/220-240/1A4	4058075240278	60	220...240	26...43	50/60	1400	< 5

Product name	t _{bj} ²	T _a	T _c	PROTECTION CLASS	L x B x H [mm]	Light No.
DR-VAL-15/220-240/350	35000 ^{b)}	-10...+50	80	II	105x42x24	1
DR-VAL-20/220-240/500	35000 ^{b)}	-10...+50	85	II	115x45x28	2
DR-VAL-30/220-240/700	35000 ^{b)}	-10...+50	85	II	140x45x28	3
DR-VAL-45/220-240/1A0	35000 ^{c)}	-10...+45	90	II	116x41x25	4
DR-VAL-60/220-240/1A4	35000 ^{b)}	-10...+45	85	II	212x46x30	5

¹ Refer to www.ledvance.com/guarantee for precise conditions | ² a) At maximum T_c = 80°C / 10% failure rate, b) At maximum T_c = 85°C / 10% failure rate, c) At maximum T_c = 90°C / 10% failure rate

LEDVANCE VIVARES LIGHT MANAGEMENT SYSTEMS

INTELLIGENT LIGHTING CONTROL – SO SIMPLE AND FLEXIBLE

Strong performance requires good management. What's true for business is also true for lighting. Here's a great example: LEDVANCE VIVARES. Because with our new light management system, intelligently connected lighting control is easier, more convenient and more flexible than ever.

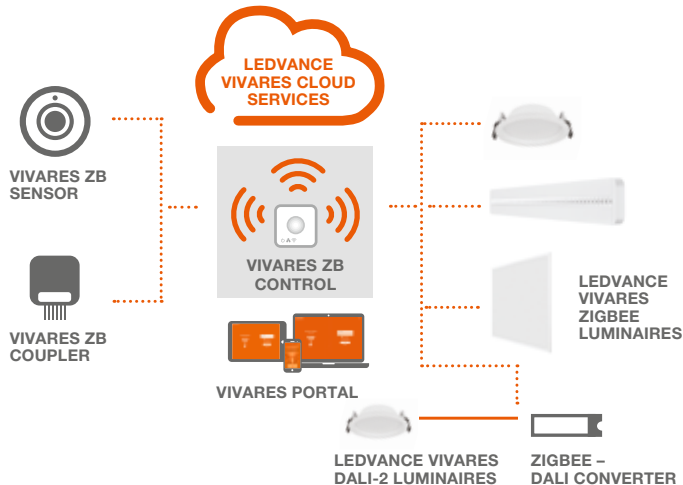
With VIVARES you can fully leverage the benefits and possibilities of modern LED lighting. For example, the lighting adapts to the most diverse requirements in the simplest possible way. This means that by integrating daylight and motion sensors, energy consumption can be reduced by up to 80%. And cloud-based monitoring ensures even greater reliability and security, among other things. Major benefits for lighting professionals include simple, convenient and user-friendly installation, operation and maintenance of VIVARES.

DEPENDING ON YOUR REQUIREMENTS: VIVARES ZIGBEE OR VIVARES DALI

Depending on the situation and customer requirements, you can choose between the wireless LEDVANCE VIVARES ZIGBEE and VIVARES DALI, the wired DALI-2 system. The former is recommended, for example, if you want to install VIVARES in an existing building without any changes to the fabric of the building. In the case of new buildings or as part of renovation work, on the other hand, the wired version is a sensible option. Both systems can be connected to the services of the VIVARES CLOUD.



**VIVARES ZIGBEE:
MODERN, FLEXIBLE & WIRELESS SYSTEM**



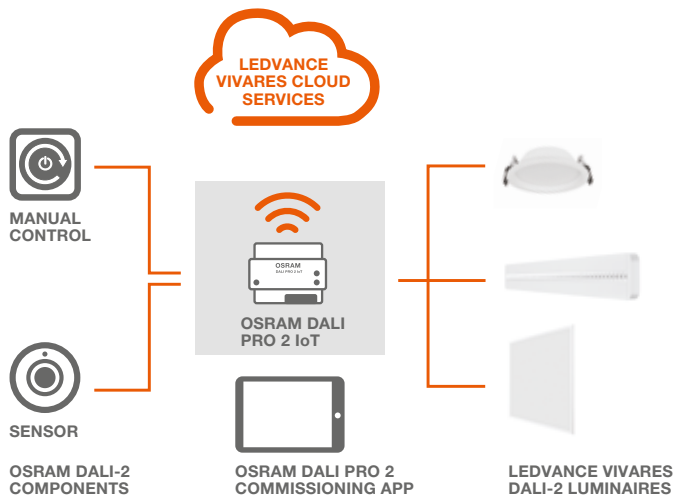
HOW LEDVANCE VIVARES ZIGBEE SYSTEM WORKS

The key component of the LEDVANCE VIVARES ZIGBEE system is VIVARES ZB Control. The controller featuring gateway functionality enables the use of IoT services, among other things. The VIVARES portal is used to configure, commission and maintain the system and its components. VIVARES ZB Control communicates wirelessly with up to 200 ZigBee-ready devices via ZigBee 3.0. These include VIVARES components such as sensors, pushbutton couplers, ZigBee-DALI converters and VIVARES ZigBee luminaires. As an option, it can be connected to a cloud application. This enables a variety of location-independent monitoring and maintenance functions. A modern security concept ensures that the data is encrypted and therefore transmitted securely.

Available from Spring 2021



**VIVARES DALI:
THE WIRED INDUSTRY STANDARD, REDEFINED**



HOW LEDVANCE VIVARES DALI WORKS

At the heart of the LEDVANCE VIVARES DALI system is the OSRAM DALI PRO 2 IoT gateway. Commissioning is self-explanatory – browser-based and location-independent using the OSRAM DALI PRO 2 commissioning app for PCs, tablets and smartphones. Special software is not needed. The system connects numerous OSRAM DALI-2 components – for example sensors, manual controls and the LEDVANCE VIVARES DALI-2 luminaires. Just like the VIVARES ZIGBEE system, the VIVARES DALI system is also IoT-ready. This means that thanks to the DALI-2 LED drivers, various tracking and monitoring functions can be fully utilized. The result is even better energy efficiency, optimized maintenance cycles and greater planning reliability. By the way, VIVARES DALI system is fully DALI-2-certified.

Products of OSRAM GmbH,
distributed by LEDVANCE



Further information will soon be available in our LEDVANCE VIVARES light management systems brochure.

All luminaires compatible with our VIVARES DALI system can be found in this brochure marked with the VIVARES logo:

- DOWNLIGHT UGR19 pg. 16
- PANEL INDIVILED pg. 68
- PANEL PERFORMANCE GEN 3 pg. 72
- PANEL DIRECT/INDIRECT pg. 84
- LINEAR INDIVILED DIRECT pg. 90

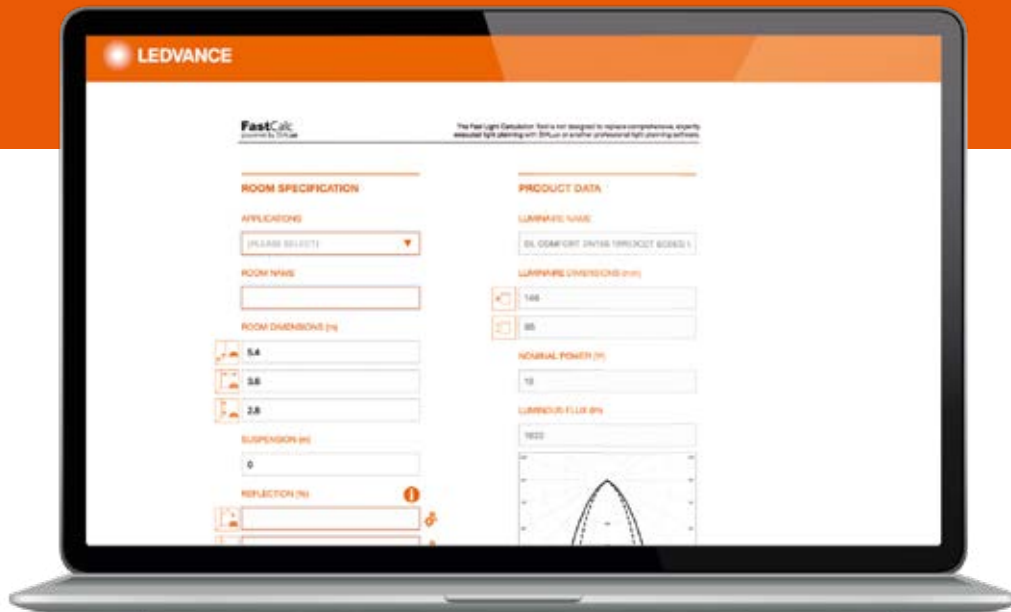
TAILOR-MADE CALCULATIONS – WITH OUR FAST LIGHT CALCULATION TOOL OR

We have put together our tools and services for achieving accurate calculations for your projects. Do you want quick information from the Fast Light Calculation Tool or detailed professional planning with DIALux and RELUX? We'll give you individual advice and, together with you, we'll plan the optimum lighting for your complete project.

QUICK & EASY

FAST LIGHT CALCULATION TOOL

With the handy calculation tool on our website, we offer installers and lighting professionals a quick and easy way to plan lighting projects successfully. The results are compiled in a PDF document which you can attach to your email tenders, for example. For more information go to [ledvance.com/flct](https://www.ledvance.com/flct)



THE INFORMATION PROVIDED BY THE TOOL INCLUDES THE FOLLOWING:

- Number of luminaires needed
- Floor plan showing the distribution of the luminaires
- Illuminance, total power (W) and specific load (W/m²)
- Light distribution curve for every luminaire

The Fast Light Calculation Tool is no substitute for comprehensive professional planning with DIALux or any other professional light planning software.

MORE BENEFITS FOR YOU:

- Intuitive operation of the tool
- Preselection of application areas with minimum lux values
- Info boxes explaining the values to be entered
- Generation of a final PDF with the results, including a floor plan showing the distribution of the luminaires



DIALUX/RELUX

PROFESSIONAL

DIALUX AND RELUX

Good news for DIALux and RELUX users: Since the start of 2018 LEDVANCE has been working with the software producers. DIALux and RELUX users can now easily integrate LEDVANCE products in their lighting plans. Our luminaire data is also BIM-compatible. We also support users with customized advice on planning their lighting systems and offer tailored solutions for an extremely wide variety of lighting requirements – all entirely from a single source.

SAMPLE DIALUX CALCULATION WITH TRUSYS PFM 50 W/4000 K

ROOM DEFINITION

Industrial storage

ROOM DIMENSIONS

- Floor area: 1,500 m²
- Ceiling height: 8 m
- Installation height: 7 m

REFLECTANCE

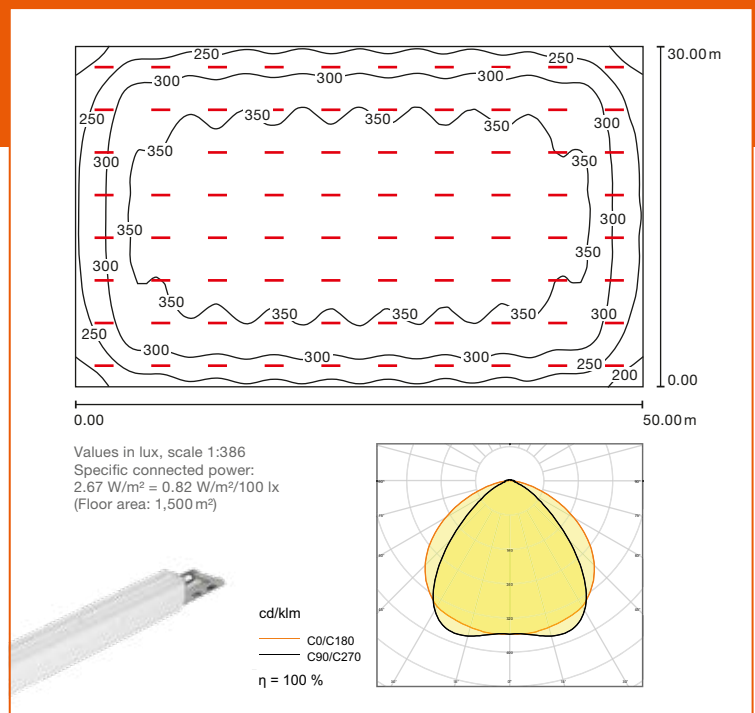
- Ceiling: 70 %
- Walls (4): 50 %
- Flooring: 20 %

BASIS FOR CALCULATION

- Relevant standard DIN EN12464-1
- Required illuminance E_m : 300 lx
- Required uniformity E_{min}/E_m : 0.40
- Maintenance factor: 0.80
- Boundary zone: 0.00 m

RESULTS: ILLUMINANCE IN THE STORAGE ROOMS

Area	Average (target)	Min	Max	Uniformity E_{min}/E_m (target)
work level, storage space	325 lx (300 lx)	168 lx	385 lx	0.516 (0.4)



YOUR BENEFITS AT A GLANCE

Tailored calculation for accurate planning of your project:

- Uniformly good light distribution
- Precise wattage per sqm
- Maximum efficient calculation of required number of luminaires

See for yourself.

CASE STUDY: TYROL CLINIC MODERN LED SOLUTIONS FR

PROJECT:

Upgrade to LED lighting at Innsbruck hospital
VERTICAL: Facility management – Health care
APPLICATION: Lighting for hospitals and clinics
TECHNOLOGY: LED technology

LEDVANCE PRODUCTS:



LED Panel 625



LED Panel 1200



LED Damp Proof



LED Downlight



S – OM A SINGLE SOURCE

The Tyrol clinics in the Innsbruck, Hall and Hochzirl-Natters hospitals are committed to sustainability – especially in terms of energy management. The lighting at Innsbruck hospital has consequently been upgraded step-by-step to LED technology since 2016. Among other things, about **6,000 modern LED luminaires from LEDVANCE** have been installed in that time, for example in the corridors of the central supply building, in the underground garage, in the lift areas and in the canteen. Patients, visitors and employees benefit not only from better quality of light. The LED luminaires also achieve **energy savings of up to 50 %**. Other advantages for the Tyrol clinics include simple installation, longer **service life for the luminaires of up to 50,000 hours** and hence reduced expenditure for installation and maintenance.

THE MOST IMPORTANT FACTS AT A GLANCE:

- Around 6,000 new LED luminaires for Innsbruck hospital
- Energy savings for the lighting: up to 50 %
- Cost savings: up to 50 % including light source replacement costs
- Improved quality of light in various areas
- Simple installation, low maintenance

LEDVANCE: ADVANCING LIGHT

BAD LIGHT AWAKENS THE BEAST IN YOU? BETTER SWITCH TO LEDVANCE LUMINAIRES.

As a trusted partner for general lighting, all our actions are directed at the fight against bad light. At LEDVANCE we combine traditional and modern, future-oriented lighting technologies. We build on long-term customer relationships and a strong sales network. We are experts in general lighting throughout the world, in technology trends and in the rapidly changing requirements for good light.

As a strong local partner, we are represented in over 140 countries. Our team of specialists focuses on the specific demands of our customers – whether they need luminaires, lamps or electronic components. The extensive LEDVANCE portfolio covers virtually every professional and residential application – from basic to sophisticated lighting.

The LEDVANCE luminaire portfolio is geared toward the wishes of our customers. Every product development is based on our core philosophy of wanting to promote well-being with user-friendly and intelligent lighting solutions. Our LED product range combines a comprehensive selection with technical innovation and reliable performance.

And we always have your requirements as a lighting professional in mind. So we do everything to ensure that our luminaires are particularly easy to plan, install and combine.

Based on these principles, we will continue to develop sophisticated products and provide you with optimum support in your personal fight against bad light.



GOOD LIGHT ALL ROUND

THE FULL LEDVANCE RANGE

LEDVANCE is leading the fight against bad light in every area. That's good news for you because when it comes to luminaires and lamps, but also for electronic components and Smart for Residential products you have a competent partner in LEDVANCE on your side for your complex lighting projects. You can always rely on LEDVANCE for excellent brand quality, professional service and a good price/performance ratio.



AESTHETICALLY FUNCTIONAL LUMINAIRES

The extensive luminaire portfolio from LEDVANCE covers virtually all professional and residential applications and delivers outstanding quality and functionality. What's more, its innovative SCALE design provides instant recognition, trust and flexibility – and was even a winner of the 2019 German Design Award.

EACH LAMP A LIGHTING SOLUTION

LEDVANCE's lamp portfolio includes a wide choice of outstanding efficiency and durability: different shapes, base sizes, light colors and wattages as well as types with additional functions (e.g. sensors). Alongside a broad range of innovative LED lamps, LEDVANCE will continue to offer conventional halogen, energy saver, fluorescent and gas discharge lamps. A win-win situation for you and every one of your customers.

FLEXIBLE LED STRIP SYSTEM

In addition to a large selection of flexible LED Strips and drivers, the LEDVANCE LED Strip System includes a

large number of matching profiles, covers, end caps and mounting brackets. In combination with a large range of luminous fluxes and light colors, the system allows bespoke lighting solutions to be created for virtually any indoor or outdoor ambient, cove or general lighting application. Easy to plan, easy to combine and easy to install – that's the principle here.

SMART FOR RESIDENTIAL

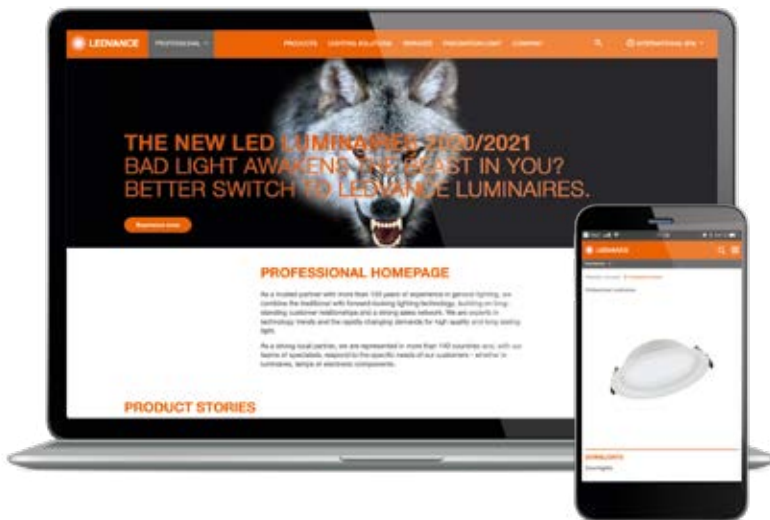
The new Smart for Residential portfolio from LEDVANCE offers the comprehensive combination of innovation, quality, reliability and userfriendliness. LEDVANCE provides a suitable solution for a wide range of different needs for smart lighting.

MORE INFORMATION AND CLEVER TOOLS

Go to www.ledvance.com for more information on LEDVANCE's extensive product portfolio, clever apps and tools that will help you in your day-to-day work.

WHENEVER AND WHEREVER: THE ONLINE PORTAL WITH ALL THE INFORMATION, ADVICE AND EXPERTISE

Are you looking for information about our products and services? LEDVANCE always keeps you up to date: at wholesalers, through our sales employees or via our Customer Service Center (email: contact@ledvance.com). Here you'll find an overview of our competencies, databases and tools.



▶ PERFECTLY FILTERED

Use the online filters to find precisely what you're looking for in our luminaire portfolio – type of mounting, IP rating, light color, etc.: ledvance.com/luminaires

▶ REFERENCES PROVIDE INSPIRATION

A selection of some top lighting projects can be found at: ledvance.com/projects

▶ LEDVANCE SERVICE-PLUS

Our specialized sales department supports and advises our commercial end customers – including face-to-face. Find out all you need to know at ledvance.com/vam

▶ DOWNLOAD CENTER

Catalogs, compatibility overviews, brochures, and much more are available for you in our download center: ledvance.com/download

▶ OUR TOOLS FOR YOU

From the LED strip system configurator to the TCO calculator, you will find all the practical tools you need at ledvance.com/tools

▶ SERVICE AT A GLANCE

You will find a summary of all of our service offerings at ledvance.com/services

▶ FIND OUR LATEST NEWS ON:



NEW: THE ONLINE TRAINING PLATFORM

A host of application-oriented eLearnings for professional users, practical advice on installation, integrated standards checks, planning tips, and much more.

Register and find out more at training.ledvance.com































FAST LIGHT CALCULATOR

Quick and easy calculation of your luminaire project with our Fast Light Calculation Tool* ledvance.com/flct
For details see page 196.

* The Fast Light Calculation Tool is no substitute for comprehensive professional planning with DIALux or any other professional light planning software.

SHEDDING LIGHT, SYMBOLS AND ABBREVIATIONS

	Type of protection		t [h]: L70/B50 @ 25 °C (T _a)
	Type of protection, back / front		t [h]: L80/B10 @ 25 °C (T _a)
	IK impact rating		Beam angle in °
	Color rendering index		Weight
	MacAdam color consistency		Unit of Packaging
	Dimmable or DALI		Recommended retail price
	Luminous flux in lm		Luminaire with cable and plug
	Power in W		Fig. no.
	Color temperature in K		Scale design
	Luminous efficacy		Protection class I
	Guarantee		Protection class II
	Sensor versions		ENEC certification
	Ceiling opening		TÜV Süd certification
	Replacement for traditional lamp technology		TÜV Rheinland certification

LIST OF ABBREVIATIONS

ASYM	Asymmetric
AT	Auto Test
BK	Black
CCT	Correlated Color Temperature
CLO	Constant Lumen Output
D	Direct
DA	Double Asymmetric
D/I	Direct / Indirect
DEG	Degree (beam angle)
DK	Dark Light (cut-off)
DL	Downlight
DN	Diameter Nominal
DP	Damp Proof
DS	Double Symmetric
EM	Emergency
ER	Energy Rail
FL	Flood (beam angle)
Flood	Floodlight
FP	Fire-Proof (fire rated up to ...)
GY	Gray
HB	High Bay
HO	High Output
IND	Indirect
INDV	IndiviLED
LN	Linear
MT	Manual Test
MP	Microprismatic (= UGR < 19)
N	Narrow (beam angle)
NFL	Narrow Flood (beam angle)
O	Outdoor
OP	Opal
PFM	Performance
RD	Round
S	Sensor
SF	Surface
SI	Silver
SP	Spot
SQ	Square
Surface-C	Surface Circular
SYM	Symmetric
TH	Through-wiring
Track	Tracklight
UGR	Unified Glare Rating
UO	Ultra Output
VAL	Value
VN	Very Narrow Beam Angle
VW	Very Wide Beam Angle
W	Wide (90° beam)
WT	White
WW	Wallwasher = asymmetric

ABOUT LEDVANCE

With offices in more than 50 countries and business activities in more than 140 countries, LEDVANCE is one of the world's leading general lighting providers for professional users and end consumers. Having emerged from the general lighting business of OSRAM GmbH, LEDVANCE offers a wide-ranging assortment of LED luminaires for a broad spectrum of application areas, intelligent lighting products for Smart Homes and Buildings, one of the largest LED lamps portfolios in the industry as well as traditional light sources.



LEDVANCE

LEDVANCE GmbH
Parkring 29–33
85748 Garching
Germany
LEDVANCE.COM

LEDVANCE is the expert partner for installers and lighting professionals. To match our extensive range of luminaires we also offer a large portfolio of innovative LED lamps in excellent brand quality. Further information about our range of lamps and services is available online at www.ledvance.com

Use our mobile apps and online tools to calculate the possible savings for your next LED project in no time, find the right lamp or luminaire and scroll through the latest catalogs:

www.ledvance.com/tools

Partner:



LEDVANCE.COM