



Technical Specifications

Electrical

Impedance	50Ω
Frequency Range	DC - 18 GHz
Voltage Rating	500 Volts RMS Max Continuous
Dielectric Withstanding Voltage	1500 VRMS Max
VSWR (Return Loss)	
Insulation Resistance	5000 MΩ Min
Center Contact Resistance	1.0 mΩ Min
Outer Contact Resistance	4.0 mΩ Min

Environmental

Temperature Range	-65°C to +165°C
RoHS Compliance	Compliant with Exemption 6C

Mechanical

Mating Cycles	500 Min
Coupling Mechanism	Threaded

Overview

Amphenol RF offers a broad portfolio of N-Type connectors designed to satisfy the need for a durable, weatherproof RF interface. This 50 ohm medium-sized interconnect offers reliable performance up to 18 GHz to support a wide variety of industrial, military and wireless applications.

The N-Type connector is available in both PCB and cable-mount configurations that terminate to most industry-standard cable types. These connectors are engineered using a threaded coupling mechanism which is ideal for vibration resistance and adds versatility to this product series. N-Type connectors are often used in environments where external factors are a consideration.

Features and Benefits

- Broad line of military, industrial and commercial grade products available
- Excellent RF performance from DC to 11 GHz, and DC to 18 GHz on extended range designs
- Threaded coupling mechanism ideal for vibration resistance
- Accommodates a wide variety of coaxial cable types including low loss types

Applications

- Antennas
- Base Stations
- Instrumentation
- Satellite Systems
- WLAN
- Radar Systems
- Broadcast
- Surge Protection

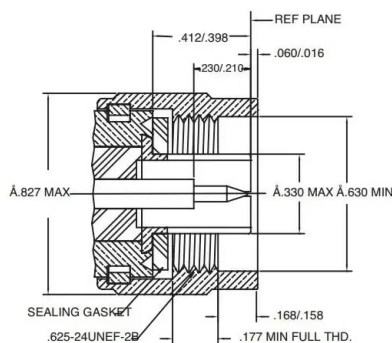
Amphenol RF

Four Old Newtown Road
Danbury, CT 06810

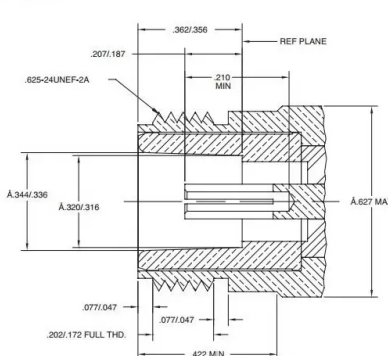
For more information visit www.amphenolrf.com
or call 800.627.7100

Interface Dimensions

Plug



Jack



For more information on N-Type connectors, visit:

<https://www.amphenolrf.com/connectors/n-type-connectors.html>