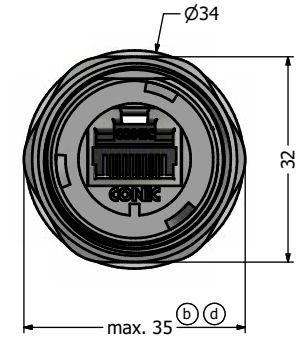
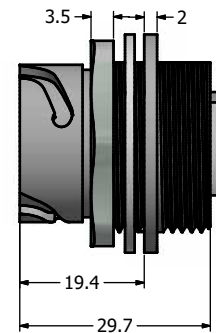
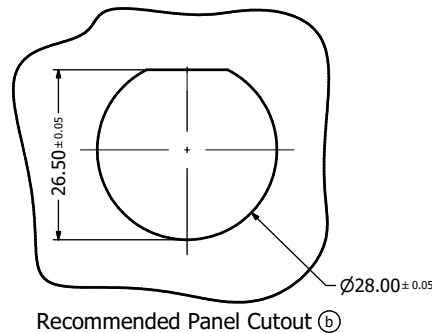
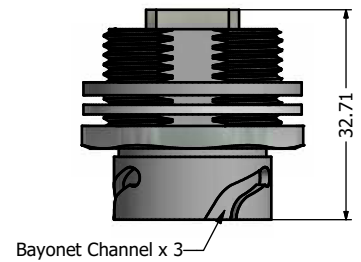
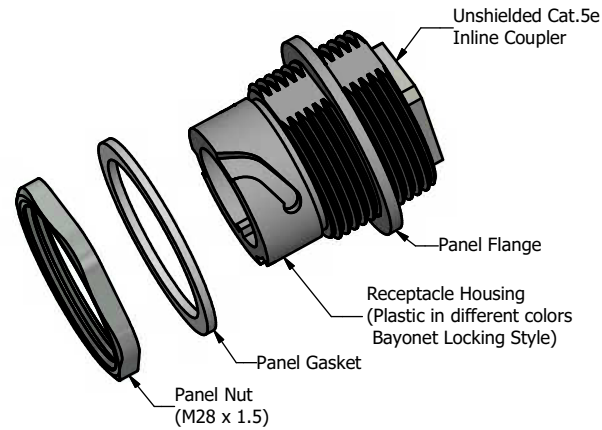


Protective Cover
(Plastic, Black
Bayonet Locking Style)



Notes:

1. Electrical Specifications:

- Meets EIA/TIA-568-B.2 Cat.5e Specification
- Contact Resistance: 20mOhm max.
- Insulation Resistance: 500MOhm min. @ 100 VDC
- Current Rating: 1.2A max. at 25° C
- Working Voltage: 100 VDC
- DWV: 1000 VDC/60s Contact to Contact, 1500 VDC/60s Contact to Metal Shell
- Operating Temperature: -40° C to +85° C

2. Material and Finish:

- Receptacle Housing: Polyester (Color: see Part Number Table); UL94 V-0
- Cover Coupling Ring: Polyester (Black); UL94 V-0
- Panel Nut: Brass, Finish: Nickel Plated or 304 Stainless Steel
- Panel Gasket: Silicon, Color: White
- Cover Gasket: Silicon, Color: White
- Tether: Polycarbonate, Color: Black
- Cat.5e RJ45 Inline Coupler Metal Shell: Copper Alloy, Nickel Plated
- Cat.5e RJ45 Inline Coupler Plastic Housing: Glass filled PBT UL94 V-0, Color: Black
- Cat.5e RJ45 Inline Coupler Contacts: Phosphor Bronze, Finish: 50u" Gold min. over Nickel

3. Connector can be front or rear mounted to a maximum panel thickness of 3.2mm.

4. IP67 rated when covered or fully mated with the appropriate mating connector

RoHS compliant

| Description | | Colored Plastic Receptacle Housing with Shielded Cat.5e RJ45 Coupler + Black Cover | | | | | |
|----------------------------------|--|--|------------|------------|------------|------------|------------|
| Plastic Receptacle Housing Color | | Black | Blue | Green | Yellow | Red | White |
| Hex Nut Material | Brass, Nickel Plated (Standard) | 17-10020 | 17-102614 | 17-102624 | 17-102634 | 17-102644 | 17-102654 |
| | 304 Stainless Steel (Type 4X +Type 12 rated) | 17-1002049 | 17-1026149 | 17-1026249 | 17-1026349 | 17-1026449 | 17-1026549 |

| | | | | | | | | | |
|--|-----------|-------------|---------------|---|-------------|-----------------------|--------------|---------------------------------|---|
| THIS DRAWING MAY NOT BE COPIED OR REPRODUCED IN ANY MANNER OR ON A THIRD PARTY WITHOUT WRITTEN PERMISSION. OWNERSHIP AND COPYRIGHT OF CONEC CORPORATION. | Customer: | | | Tolerance Unless otherwise specified | | | Scale: 1.2:1 | Dim. in mm | |
| | Name | Title | Approval Date | 0 PLC ±0.50 | 1 PLC ±0.38 | | 2 PLC ±0.25 | Material: See Notes | |
| | | | | 3 PLC ±0.10 | ANGLES ±3° | 2011 | Date | Name | Title: |
| | | | | | | Draw. | Jan. 28 | Vincent Ke | Receptacle & Cover Assembly Kit |
| DOT NOT ALTER CAD DRAWING BY HAND | | | | 1 x d | A21-04.26 | 27.10.2021 | Bub | Norm | Colored Plastic Housing + Black Cover with Unshielded Cat. 5e RJ45 Inline Coupler |
| c | 2 x c | Mar/14/2018 | Vincent Ke | D-old | | | | | DIN A3 |
| b | 2 x b | Mar/08/2017 | Vincent ke | | | | | | Sheet 1/1 |
| a | original | | | | | | | | |
| Rev. | Changes | Date | Name | | | Drawing No.: 17K1A184 | | Part No.: SEE PART NUMBER TABLE | |
| | | | | | | | | | |