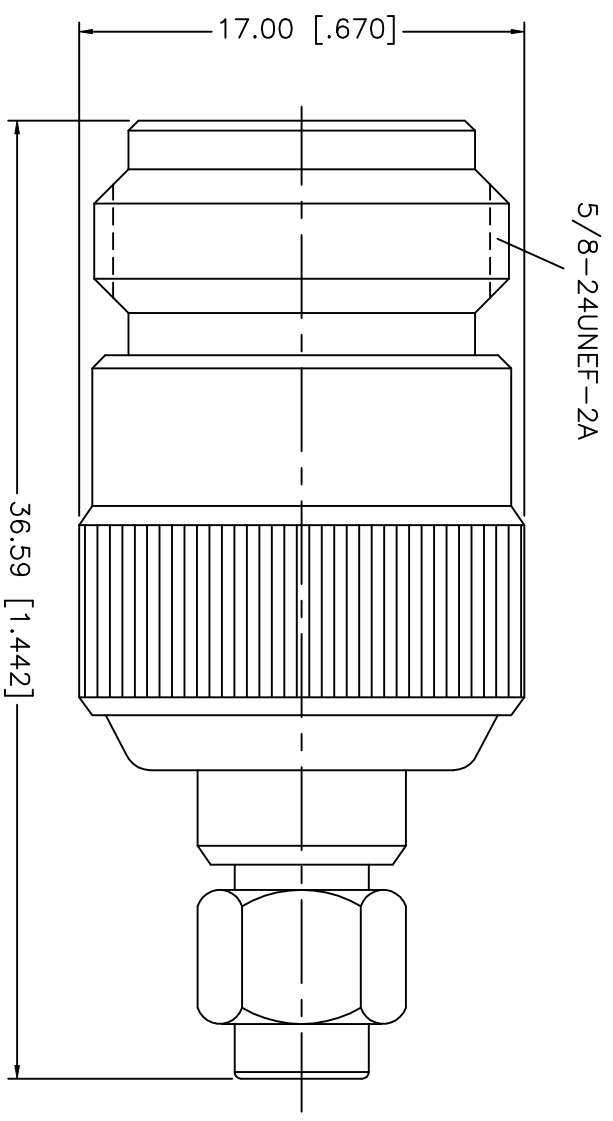


REV.	DATE	DESCRIPTION
NC	10/01/02	INITIAL RELEASE



8																			
7																			
6																			
5																			
4																			
3	CONTACT PIN	BFR. COPPER	GOLD																
2	INSULATOR	TEFLON	NATURAL																
1	BODY	BRASS	NICKEL																
	DESCRIPTION	MATERIAL	FINISH																
				UNLESS OTHERWISE SPECIFIED DIMENSIONS ARE IN MILLIMETERS				APPROVALS				DATE		TITLE					
				DIMENSIONS IN [] ARE IN INCHES FOR CUSTOMER REFERENCE ONLY				DRAWN G.R.S.		10/01/02		N JACK TO SMA REVERSE POLARITY PLUG ADAPTER							
				UNLESS OTHERWISE SPECIFIED TOLERANCES FOR INCHES ARE: .XXX = ± 0.005" .XX = ± 0.010" .X = ± 0.020"				CHECKED				Amphenol - Connex CONNECTOR CORPORATION							
				DO NOT SCALE DRAWING				ISSUED				SIZE A		FSCM NO. 99001		DWG. NO. 242112RP.DWG		REV. NC	
								SCALE NA		PART NO. 242112RP		SHEET 1		OF 1					