

Solenoid operated valves pilot operated poppet type

2-way normally open

Common cavity, Size 12

VEI-8A-12A-NA

OD.15 - X - 89 - Y - S0

RE 18323-14

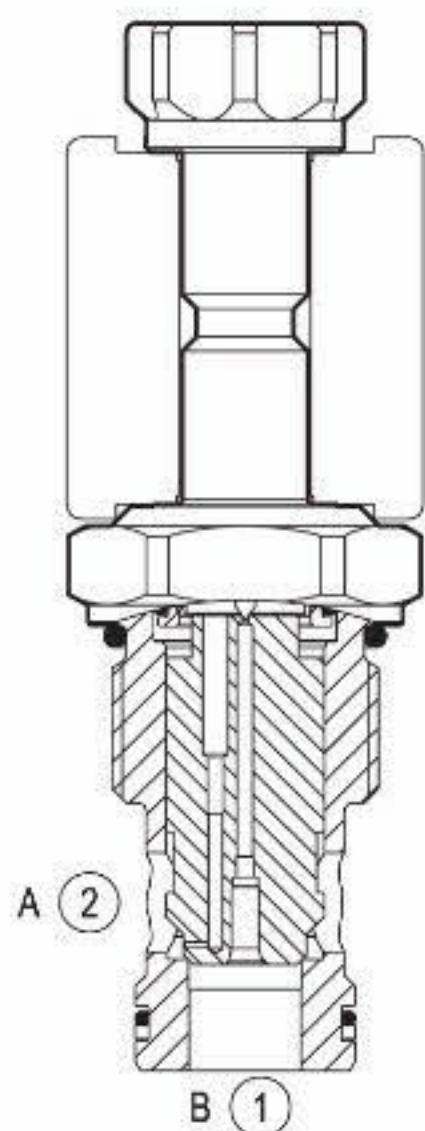
Edition: 01.2016

Replaces: 01.2014

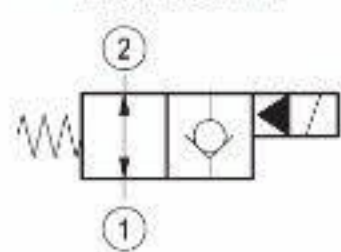


Technical data

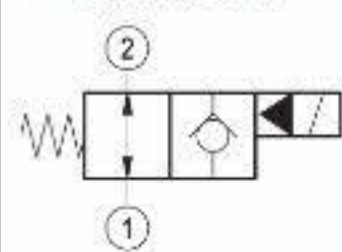
General		
Weight		0.23 kg (0.51 lbs)
Installation orientation		Optional
Ambient temperature range		-30 to 60 °C (-22 to 140 °F)
Hydraulic		
Max. operating pressure		350 bar (5000 psi)
Flow range		5 - 150 l/min (1 - 40 gpm)
Max. internal leakage		20 drops/min.
Fluid temperature range		-20 to 80 °C (-4 to 176 °F)
Fluids: Mineral-based or synthetics with lubricating properties at viscosities of 20 to 380 mm ² /s (cSt)		
Installation torque		54 - 66 Nm (40 - 49 ft-lbs)
Recommended degree of fluid contamination		Nominal value max. 10 µm (NAS 8) ISO 4406 19/17/14
MTTFd		150 years see RE 18350-51
Cavity		CA-12A-2N see 18325-70
Lines bodies and standard assemblies		Please refer to section "Hydraulic integrated circuit" or consult factory
Seal kit – version 1	code	RG12A2010520100
	material no.	R901111377
Seal kit – version 2-3	code	RG12A2010530100
	material no.	R930003374
Seal kit coil	code	RG12A1PNBR7010
	material no.	R934003958
Other technical data		See data sheet 18350-50
Electrical		
Type of voltage		DC voltage
Coil type		S8-356 see 18325-90
Supply voltage		See data sheet 18325-90
Nominal voltage		± 10%
Power consumption		20 W
Duty cycle coil		See characteristic curves %
Type of protection		See data sheet 18325-90
Note: Coils must be ordered separately		



▼ Version 1



▼ Version 2



▼ Version 3

