

## Cabinet accessories – Mechanics

### Front Panel Express



Front Panel Fast Track

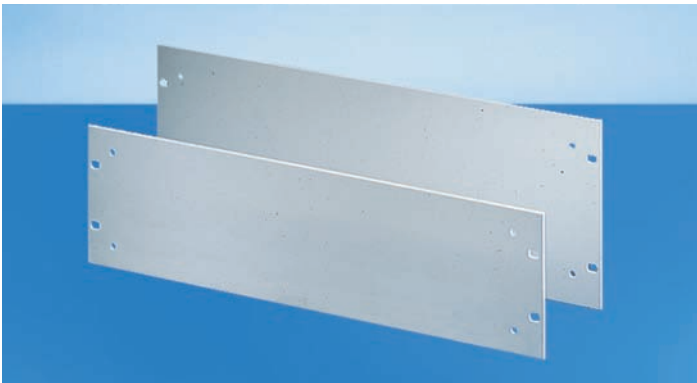
## FRONT PANEL EXPRESS

30402151

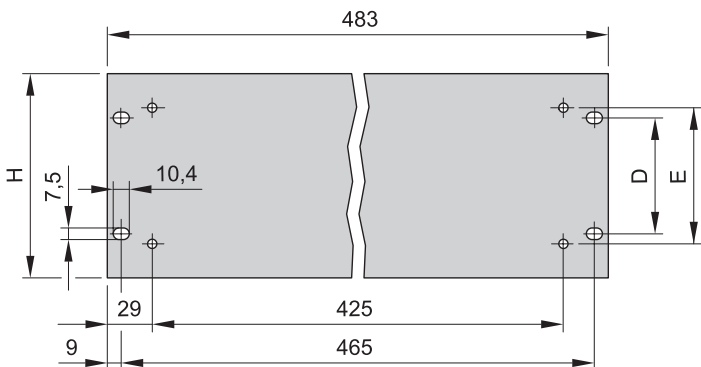
**We make your front panel.  
You determine how long it takes us.**

- **Simple:** You configure your front panels direct online. No registration, no program downloads. The price is displayed immediately.
- **Fast:** You specify your front panel in just a few minutes - and we manufacture it from as little as in 2 days.
- **Flexible:** You determine the quantity and manufacturing time - and thus the cost.
- **Individual:** We make the panels to your specification - mechanical processing, painting and printing.
- **Practical:** We make the job easier for you - if you wish we will also fit the accessories.

### 19" front panels with holes for handles



00592006



BZA42371

- 19" front panels have additional holes for mounting of handles

#### Delivery comprises

Item	Qty	Description
1	1	19" front panel, Al

#### Order Information

Height	H	D	E	Front panel, 4 mm, anodised	Front panel, 3 mm, pre-anodised, cut edges plain
U	mm	mm	mm	Part no.	Part no.
1	43.6	31.7	25	<b>40304-050</b>	<b>30219-161</b>
2	88.1	76.2	55	<b>40304-051</b>	<b>30219-162</b>
3	132.5	57.1	88	<b>40304-052</b>	<b>30219-163</b>
4	177.0	101.6	120	<b>40304-053</b>	<b>30219-164</b>
5	221.4	146.0	180	<b>40304-054</b>	<b>30219-165</b>
6	265.9	190.4	180	<b>40304-055</b>	<b>30219-166</b>

#### Note

- 19" assembly kit, see page 3.15
- Front panel processing to your instructions under [www.frontpanelexpress.eu](http://www.frontpanelexpress.eu)

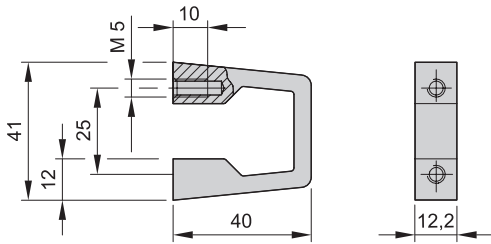


For further information [www.schroff.biz/oneclick](http://www.schroff.biz/oneclick)  
oneClick search code = Part no.

# Cabinet accessories – Mechanics

## Front handle, one-piece, width 12.2 mm

1 U



- Static load-carrying capacity 30 kg

### Delivery comprises

Item	Qty	Description
1	1	Front handle, Al extrusion, anodised

### Order Information

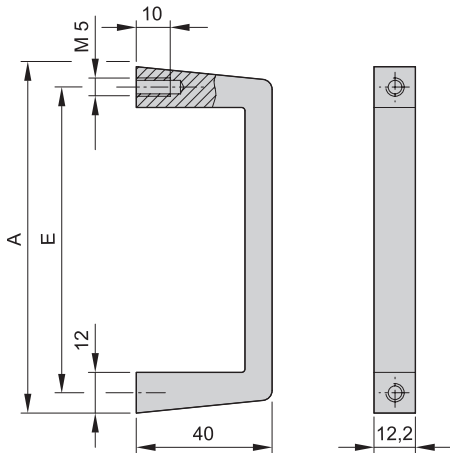
Height	A	E	clear anodised Part no.	Black anodised Part no.
<b>U</b>	<b>mm</b>	<b>mm</b>		
1	41	25	<b>10501-116</b>	-
2	69	55	<b>10501-004</b>	<b>10501-025</b>
3	102	88	<b>10501-005</b>	<b>10501-026</b>
4	132	120	<b>10501-006</b>	<b>10501-027</b>
5	194	180	<b>10501-007</b>	<b>10501-028</b>
6	249	235	<b>10501-008</b>	<b>10501-029</b>
<b>Panhead screw pozidrive</b> self-locking, M5 × 12, zinc-plated, PU 100 pieces				<b>21100-788</b>

Delivery may be in Standard Pack Quantity (SPQ): Minimum order quantity 10 front handles or a multiple thereof

### Note

- Please order panhead screws separately

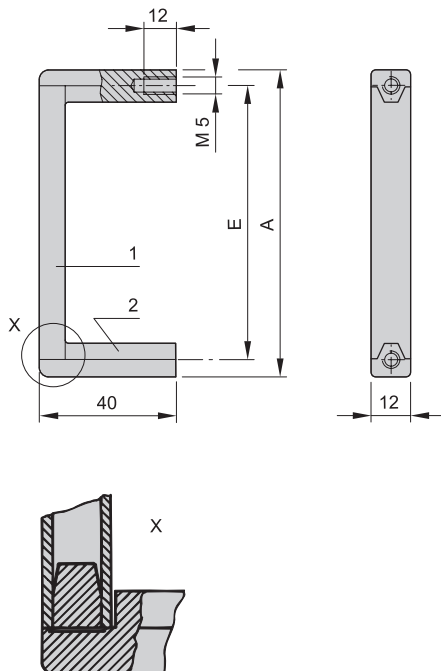
2 U ... 6 U



BZA42316

BZA42327

## Front handle, multi-part, width 12 mm



- Static load-carrying capacity 10 kg

- In three parts: middle section in AL extrusion, end pieces in fibreglass-reinforced plastic

### Delivery comprises (kit)

Item	Qty	Description
1	1	Front handle, AL extrusion, anodised
2	2	End piece, PA, black

### Order Information

Height	A	E	Part no.
<b>U</b>	<b>mm</b>	<b>mm</b>	
3	102.0	88	<b>10502-057</b>
4	132.5	120	<b>10502-059</b>
5	194.0	180	<b>10502-063</b>
<b>Panhead screw pozidrive</b> self-locking, M5 × 12, zinc-plated, PU 100 pieces			<b>21100-788</b>

Delivery may be in Standard Pack Quantity (SPQ): Minimum order quantity 10 front handles or a multiple thereof

### Note

- Please order panhead screws separately



For further information [www.schroff.biz/oneclick](http://www.schroff.biz/oneclick)  
oneClick search code = Part no.

## Cabinet accessories – Mechanics

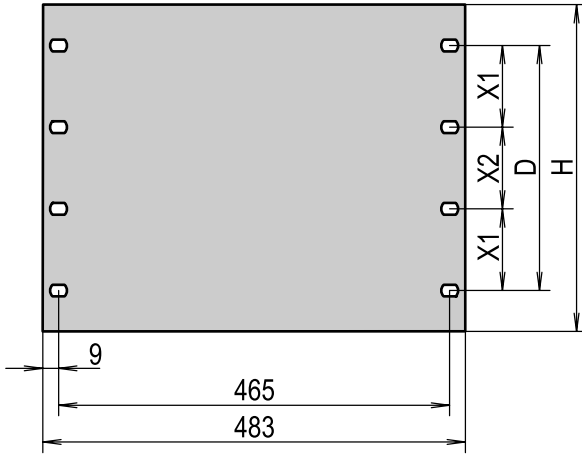
### 19" front panels, filler panels



- Al anodised, colours light grey (RAL 7035) or black grey (RAL 7021)

#### Delivery comprises

Item	Qty	Description
1	1	19" front panel, Al, 3 mm/4 mm



#### Order Information

Height	H	D	X1	X2	3 mm thick, RAL 7021 Part no.	3 mm thick, RAL 7035 Part no.	3 mm, Al anodised, cut edges plain Part no.	4 mm, Al anodised Part no.
U	mm	mm	mm	mm				
1	43.6	31.7	–	–	<b>30118-948</b>	<b>30118-299</b>	<b>30219-098</b>	<b>40304-074</b>
2	88.1	76.2	–	–	<b>30118-949</b>	<b>30118-301</b>	<b>30219-101</b>	<b>40304-075</b>
3	132.5	57.1	–	–	<b>30118-950</b>	<b>30118-302</b>	<b>30219-104</b>	<b>40304-076</b>
4	177.0	101.6	–	–	<b>30118-951</b>	<b>30118-303</b>	<b>30219-107</b>	<b>40304-077</b>
5	221.4	146.0	–	–	<b>30118-952</b>	<b>30118-304</b>	<b>30219-110</b>	<b>40304-078</b>
6	265.9	190.4	–	–	<b>30118-953</b>	<b>30118-305</b>	<b>30219-113</b>	<b>40304-079</b>
7	310.3	234.9	88.9	57.1	<b>30118-954</b>	<b>30118-306</b>	<b>30219-137</b>	<b>40304-080</b>
8	354.8	279.4	101.6	76.2	<b>30118-955</b>	<b>30118-307</b>	<b>30219-138</b>	<b>40304-081</b>
9	399.2	323.8	101.6	120.6	<b>30118-956</b>	<b>30118-308</b>	<b>30219-143</b>	<b>40304-082</b>
10	443.7	368.3	101.6	165.1	<b>30118-957</b>	<b>30118-309</b>	<b>30219-144</b>	<b>40304-083</b>
<b>Supplied loose with cabinet or frame</b>								<b>Part no./35</b>

#### Note

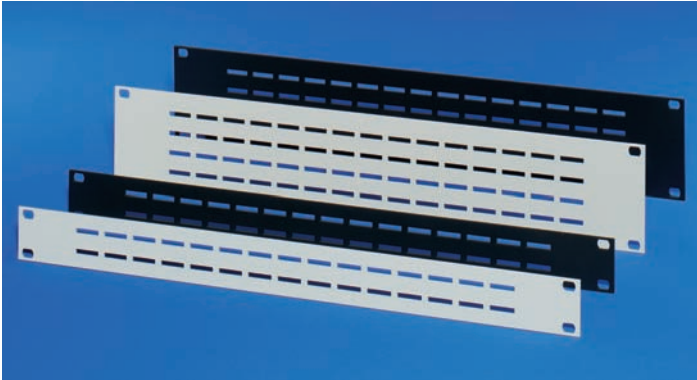
- 19" assembly kit see page 3.15
- Front panel processing to your instructions under [www.frontpanelexpress.eu](http://www.frontpanelexpress.eu)



For further information [www.schroff.biz/oneclick](http://www.schroff.biz/oneclick)  
oneClick search code = Part no.

## Cabinet accessories – Mechanics

### 19" vented front panel



00504005

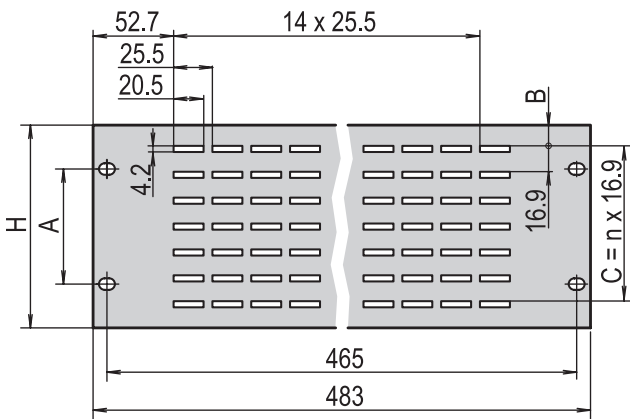
- Al anodised, Al untreated, light grey (RAL 7035) or black grey (RAL 7021)

#### Delivery comprises

Item	Qty	Description
1	1	19" vented front panel, Al, 2.5 mm

#### Note

- 19" assembly kit see page 3.15



00502509

#### Order Information

Height	H	A	B	C	RAL 7021	RAL 7035	Al anodised	Al untreated	
U	mm	mm	mm	mm	Part no.	Part no.	Part no.	Part no.	
1	43.6	31.7	11.2	16.9	<b>30118-962</b>	<b>30702-056</b>	<b>30702-047</b>	<b>30702-044</b>	
2	88.1	76.2	16.6	50.7	<b>30118-963</b>	<b>30702-057</b>	<b>30702-048</b>	<b>30702-045</b>	
3	132.5	57.1	13.5	101.4	<b>30118-964</b>	<b>30702-058</b>	<b>30702-049</b>	<b>30702-046</b>	
Supplied loose with cabinet or frame								Part no./35	

### 19" vented front grille, 2 U



02892009

#### Delivery comprises (kit)

Item	Qty	Description
1	1	Front grille, plastic, black
2	1	Filter
3	1	Retention bracket, St, 1 mm, aluminium-sprayed

#### Order Information

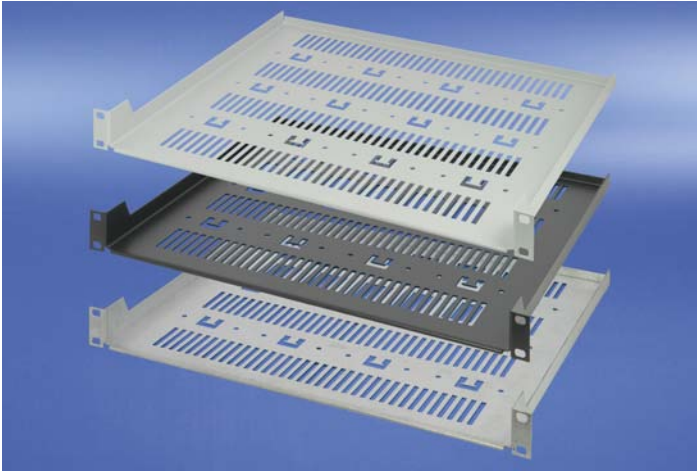
Description	Part no.
19" vented front grille, 2 U	<b>60715-049</b>
Replacement filter for 19" vented front grille 2 U, PU 3 pieces	<b>60715-050</b>
Supplied loose with cabinet or frame	Part no./35

#### Note

- 19" assembly kit see page 3.15

## Cabinet accessories – Mechanics

### 19" equipment shelf, 1 U



00508007

- Static load-carrying capacity 5 kg
- Mounting height 1 U

**NEW**

#### Delivery comprises

Item	Qty	Description
1	1	Equipment shelf, St, 1.5 mm

#### Order Information

Width mm	Depth mm	AlZn Part no.	RAL 7021 Part no.	RAL 7035 Part no.
447	390	<b>20118-781</b>	<b>20118-782</b>	<b>20118-783</b>
Supplied loose with cabinet or frame				Part no./35

- 19" assembly kit, see page 3.15

### 19" equipment shelf, 2 U



00508003

- Static load-carrying capacity 10 kg
- Overall mounting height 2 U

**NEW**

#### Delivery comprises

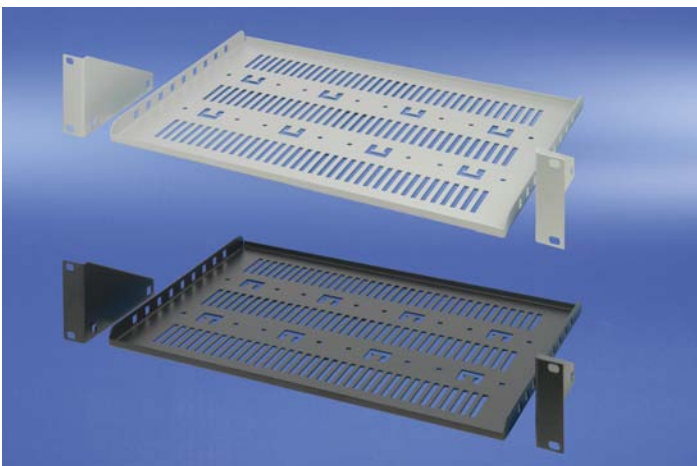
Item	Qty	Description
1	1	Equipment shelf, St, 1.5 mm

#### Order Information

Width mm	Depth mm	RAL 7021 Part no.	RAL 7035 Part no.
447	238	<b>20118-784</b>	<b>20118-785</b>
Supplied loose with cabinet or frame			Part no./35

- 19" assembly kit, see page 3.15

### 19" equipment shelf, depth-adjustable, 2 U



00508010

- Static load-carrying capacity 15 kg
- Overall mounting height 2 U
- Depth-adjustable in 25 mm increments (front protrusion min. 26 mm)

**NEW**

#### Delivery comprises (kit)

Item	Qty	Description
1	1	Equipment shelf, St, 1.5 mm
2	2	Mounting bracket with assembly kit, St, 1.5 mm

#### Order Information

Width mm	Depth mm	RAL 7021 Part no.	RAL 7035 Part no.
430	250	<b>20118-786</b>	<b>20118-789</b>
430	300	<b>20118-787</b>	<b>20118-790</b>
430	400	<b>20118-788</b>	<b>20118-791</b>
Supplied loose with cabinet or frame			Part no./35

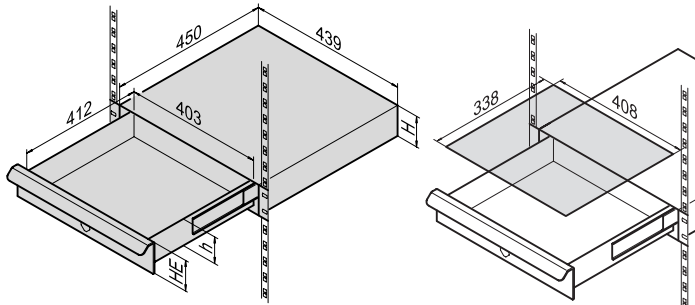
- 19" assembly kit, see page 3.15

## Cabinet accessories – Mechanics

### 19" drawer



00506009



sza44206sza46122

19" drawer

writing surface

- Height 1, 2 or 3 U
- Static load-carrying capacity 15 kg
- Optional writing surface

#### Delivery comprises (assembled)

Item	Qty	Description
1	1	19" drawer with lock (2 keys)
1	2	Assembly kit

#### Order Information

Height H	Height h	Front panel anodised	Front panel RAL 7021	Front panel RAL 7035
U	mm	mm	Part no.	Part no.
1	41.6	30	<b>20110-061</b>	<b>20110-180</b>
2	86.0	73	<b>20110-062</b>	<b>20110-181</b>
3	130.5	117	<b>20110-063</b>	<b>20110-182</b>
19" writing surface for 19" drawer St, 1 mm, RAL 7035, 1 piece				<b>20110-060</b>
Supplied loose with cabinet or frame				Part no./35

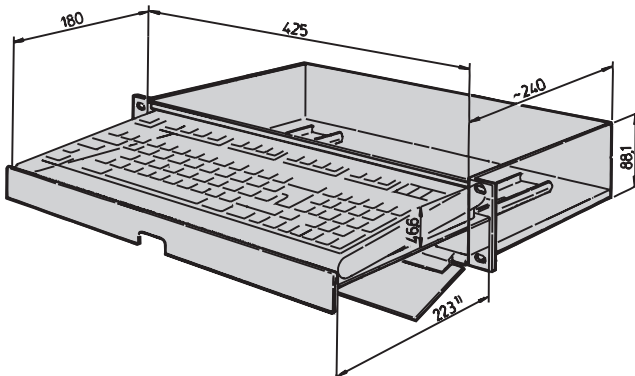


For further information [www.schroff.biz/oneclick](http://www.schroff.biz/oneclick)  
oneClick search code = Part no.

### 19" keyboard drawer, 2 U



005002



A41263

- For keyboards up to 425 mm wide, 210 mm deep, 45 mm high
- IP 40 when closed

#### Delivery comprises

Item	Qty	Description
1	1	Keyboard drawer with hinged front panel, Al, anodised (incl. locking)
2	2	Telescopic slide, St, zinc-plated
3	1	Keyboard support, St, 2.5 mm, RAL 7030
4	2	Front horizontal rail, Al extrusion, anodised

#### Order Information

Description	Part no.
19" keyboard drawer, 2 U	<b>10822-009</b>
Lock for 19" keyboard drawer 1 × lock incl. 2 keys	<b>60126-118</b>
Supplied loose with cabinet or frame	Part no./35

#### Note

- Without keyboard
- 19" assembly kit, see page 3.15



For further information [www.schroff.biz/oneclick](http://www.schroff.biz/oneclick)  
oneClick search code = Part no.

## Cabinet accessories – Mechanics

### 19" distribution field, Cat 5 / 6



Distribution field Cat 6

01604002

- 1 U distribution field with 24 x RJ45 ports
- For use in communications networks, conforms to ISO/IEC 11801 (as at 03/95)
- Meets the specifications for EN 50 173 (as at 07/95)
- Easy to fit thanks to dual insulation displacement technique (LSA+/110)
- Case can be opened and closed without tools, with quick-release fastener

#### Delivery comprises (assembled)

Item	Qty	Description
1	1	19" case, shielded, St, RAL 7035, 1 U, with earthing stud
2	3	Backplanes with 8 x dual insulation displacement technique for AWG 22-24 cables and 8 x RJ45 sockets
3	24	Cable ties



Application tool

01602001

#### Order Information

Description	Part no.
Cat 5/E	<b>60118-436</b>
Cat 6	<b>60118-435</b>
Application tool 1 piece	<b>60118-379</b>
Supplied loose with cabinet or frame	Part no./35

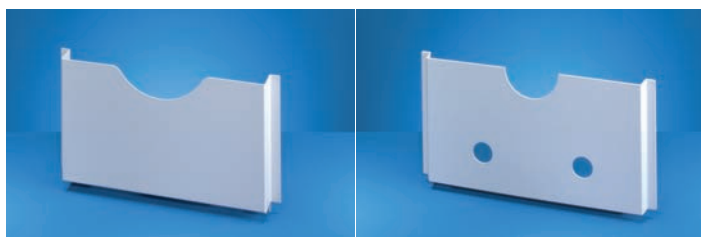
#### Note

- 19" assembly kit see page 3.15



For further information [www.schroff.biz/oneclick](http://www.schroff.biz/oneclick)  
oneClick search code = Part no.

### Document pocket



Steel, DIN A4

Plastic, DIN A4

0050600400506005

- For storage of documents and circuit diagrams
- Assembly with double sided adhesive tape

#### Delivery comprises

Item	Qty	Description
1	1	Document pocket
2	1	Adhesive tape

#### Order Information

Description	Dimensions H x W x D mm	Part no.
St, DIN A4, RAL 7035	180 x 336 x 34	<b>21126-271</b>
Plastic, DIN A4, grey	195 x 356 x 21	<b>60100-302</b>
Plastic, A3, grey	305 x 305 x 25	<b>ADP2</b>
Supplied loose with cabinet or frame		Part no./35



Plastic A3

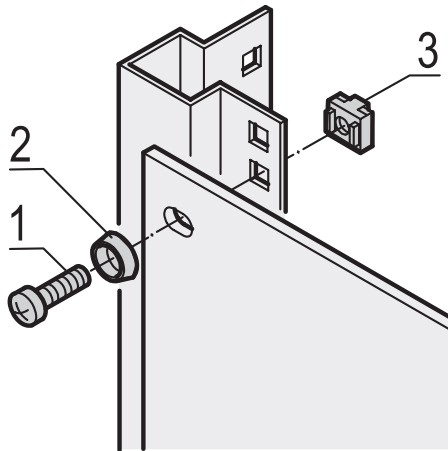
00506006



For further information [www.schroff.biz/oneclick](http://www.schroff.biz/oneclick)  
oneClick search code = Part no.

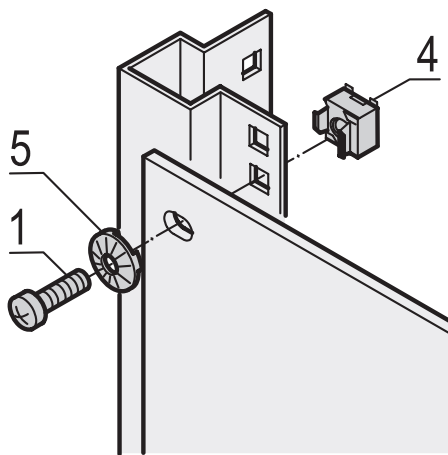
## Cabinet accessories – Mechanics

### 19" assembly kit M6



Without GND/earthing

sc128



With GND/earthing

00504053

- For mounting of front panels, distribution fields or other components on the frame, slide mounts or depth members with square cut-outs
- For standard GND/earthing use a GND/earthing nut and a nomel washer on at least one attachment point

#### Delivery comprises

Item	Description
1	Panhead screw M6 x 16, St, zinc-plated
2	Plastic washer, black
3	Square nut M6, St, zinc-plated
4	GND/earthing nut M6, St, zinc-plated
5	Nomel washer, St, zinc-plated, internal diameter 6.1 mm, external diameter 12.2 mm

#### Order Information

Item	Description	Qty/PU	Part no.
1+2+3	19" assembly kit (screw, washer, nut)	1	<b>21190-095</b>
1+2+3	19" assembly kit (screw, washer, nut)	32	<b>21190-435</b>
1+2+3	19" assembly kit (screw, washer, nut)	50	<b>21101-809</b>
1+2+3	19" assembly kit (screw, washer, nut)	100	<b>21101-810</b>
1	Panhead screw M6, zinc-plated	50	<b>21100-021</b>
1	Panhead screw M6, zinc-plated	100	<b>21100-022</b>
1	Panhead screw M6, zinc-plated, black	100	<b>21100-650</b>
2	Plastic washer	50	<b>21100-015</b>
2	Plastic washer	100	<b>21100-016</b>
3	Cage nut M6	50	<b>21100-003</b>
3	Cage nut M6	100	<b>21100-004</b>
4	GND/earthing cage nut M6	10	<b>21120-131</b>
4	GND/earthing cage nut M6	100	<b>21120-132</b>
5	Nomel washer for GND/earthing, M6	100	<b>21101-173</b>
<b>Supplied loose with cabinet or frame</b>			<b>Part no./35</b>

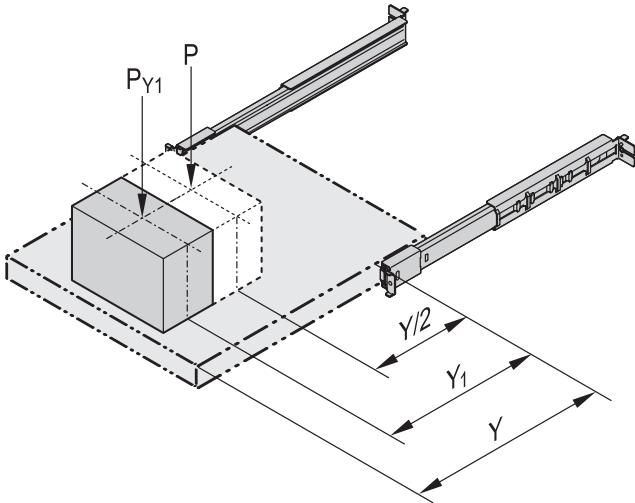


For further information [www.schroff.biz/oneclick](http://www.schroff.biz/oneclick)  
oneClick search code = Part no.



# Cabinet accessories – Telescopic slides

## Dimensioning of telescopic slides



053

### Calculation of the load-carrying capacity

The stated load-carrying capacity P is valid provided that the load centre is in the centre of the extraction (Y/2).

For other positions of the load centre (Y<sub>1</sub>) please use the following formula:

Load-carrying capacity  $P(Y_1) = \frac{1}{2} P Y / Y_1$  (but max. P)

Example:

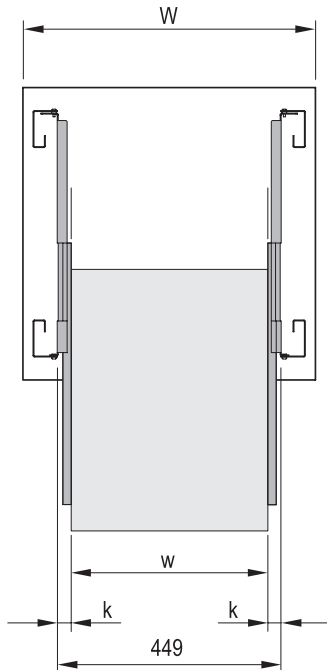
Load-carrying capacity P = 45 kg,

Extension length Y = 250 mm

Position of centre Y<sub>1</sub> = 150 mm

Result:

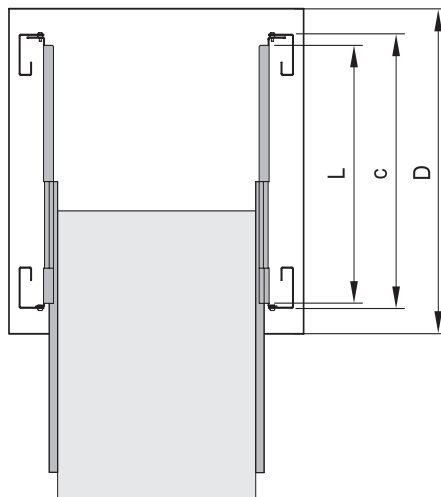
$P(Y_1) = \frac{1}{2} P Y / Y_1 = \frac{1}{2} \times 45 \text{ kg} \times 250 / 150 = 37.5 \text{ kg}$



00505060

### Calculation of the maximal installation width (w)

For each telescopic slide the maximum installation width (w) for one shelf or drawer is given. This is the maximum clearance available between the telescopic slides when they are fitted in a 19" cabinet.



00505061

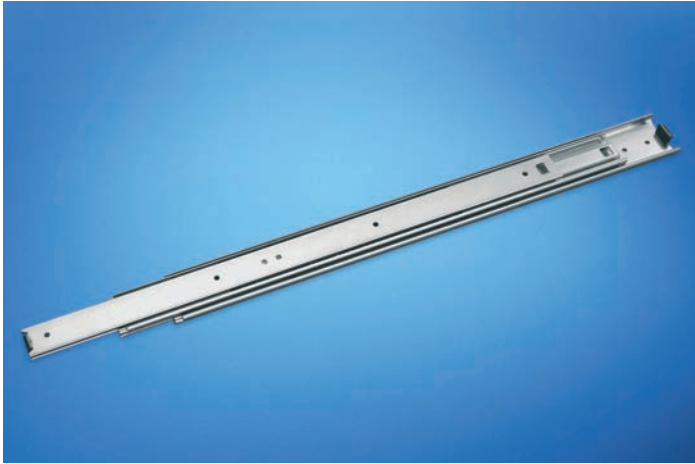
### Mounting on 19" panel/slide mounts

In 19" cabinets telescopic slides are assembled at the front and rear 19" slide mounts.

Therefore the length (L) has to be matched with the distance between the 19" brackets (in depth). Therefore the suitable 19" pitch (c) for the cabinet is mentioned.

# Cabinet accessories – Telescopic slides

## Universal 2 U telescopic slide



- Load-carrying capacity 46 - 61 kg per pair
- Lateral assembly on the 19" uprights (19" plane remains free for assembly of shelf/extraction drawer)
- Locks at full extension
- Extension length > 100 %
- Rail width  $k = 16$  mm, max. installation width of shelf/extraction drawer  $w = 417$  mm

### Delivery comprises

Item	Qty	Description
1	2	Telescopic slide, St, zinc-plated

### Order Information

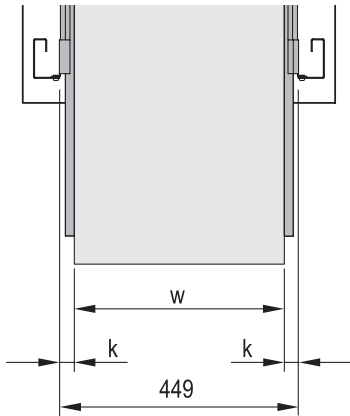
Length L	Extension length Y	Load-carrying capacity P	Part no.
mm	mm	kg	
305	330	61	<b>20110-100</b>
356	381	60	<b>20110-101</b>
406	432	58	<b>20110-102</b>
457	483	57	<b>20110-103</b>
508	533	55	<b>20110-104</b>
559	584	52	<b>20110-105</b>
610	635	50	<b>20110-106</b>
660	686	48	<b>20110-107</b>
711	737	46	<b>20110-108</b>

**Assembly kit** For VARISTAR, for assembly of 2 telescopic slides, PU 1 kit **21120-158**

**Assembly kit** For eurorack, for assembly of 2 telescopic slides, PU 1 kit **21120-159**

**Assembly kit** For minirack, for assembly of 2 telescopic slides, PU 1 kit **21120-160**

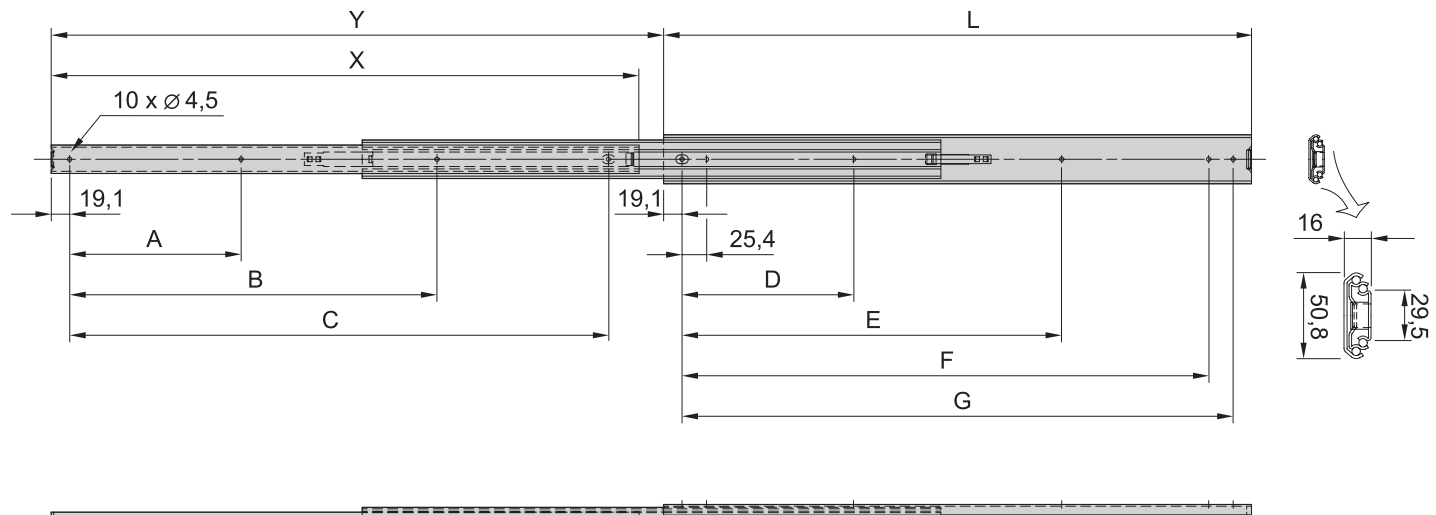
**Supplied loose with cabinet or frame** Part no./35



$k$  = rail width,  $w$  = max. installation width

### Dimensions table

Length L	Internal part				External part			
	A	B	C	X	D	E	F	G
305	76.2	177.8	254.0	305.0	76.2	190.5	241.3	266.7
356	101.6	203.2	304.8	356.0	88.9	215.9	292.1	317.5
406	127.0	228.6	355.6	406.0	127.0	241.3	342.9	368.3
457	127.0	279.4	406.4	457.0	127.0	292.1	393.7	419.1
508	152.4	304.8	457.2	508.0	152.4	317.5	444.5	469.9
559	177.8	330.2	508.0	559.0	177.8	342.9	495.3	520.7
610	177.8	381.0	558.8	610.0	177.8	393.7	546.1	571.5
660	203.2	406.4	609.6	660.0	203.2	419.1	596.9	622.3
711	228.6	431.8	660.4	711.0	228.6	444.5	647.7	673.1



## Cabinet accessories – Socket strips

### SCHUKO socket strip



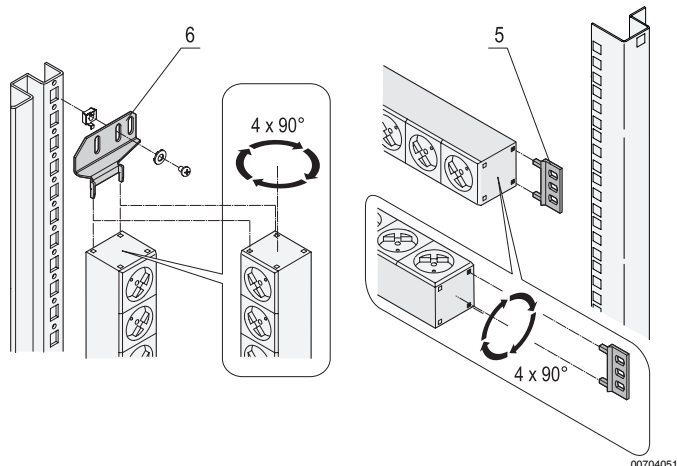
00705001DTA44115

- Socket strips with SCHUKO inserts, either with switch or functional elements
- Mounting height 1 U
- Connecting cable, 2 m, with SCHUKO/UTE connector
- For installation, socket strips can be rotated in all directions (in 90° increments)
- Horizontal and vertical assembly possible
- 230 V, 16 A
- In accordance with DIN 41494, DIN 57620, VDE 0620



#### Delivery comprises (assembled)

Item	Qty	Description
1	1	Al extrusion, 1 U, anodised, for socket inserts and functional elements
2		SCHUKO socket inserts (35° rotated, PA, RAL 7035), illuminated switch and functional elements, type and number, see Order information
3	2	End piece, PA, RAL 7035
4	1	Connecting cable, black, 2 m, 05VV-F 3G 1.5 mm <sup>2</sup> , with SCHUKO/UTE connector, PVC, encapsulated
5	2	Mounting angle, PA, RAL 7035 (only with 10", 19" version)



00704051

Item 6 bracket for vertical mounting



ServicePLUS see page 3.65

#### Order Information

Description	Socket inserts	Length Inch	Length mm	Depth mm	Switch	Functional element	Part no.
SCHUKO	3	–	184	44	–	–	<b>60110-200</b>
	4	10"	210	44	–	–	<b>60110-201</b>
	9	19"	438.5	44	–	–	<b>60110-202</b>
	12	–	947.5	44	–	–	<b>60110-203</b>
	15	–	1202	44	–	–	<b>60110-204</b>
	19	–	1753	44	–	–	<b>60110-205</b>
SCHUKO - with switch	8	19"	438.5	44	X	–	<b>60110-206</b>
	12	–	947.5	44	X	–	<b>60110-207</b>
	15	–	1202	44	X	–	<b>60110-208</b>
	19	–	1753	44	X	–	<b>60110-209</b>
SCHUKO with functional elements	6	19"	438.5	88	–	Fault current protection	<b>60110-216</b>
	6	19"	438.5	75	–	Overcurrent protection	<b>60110-212</b>
	6	19"	438.5	88	–	Fault current protection, overcurrent protection	<b>60110-217</b>
	7	19"	438.5	44	–	Mains suppression filter	<b>60110-214</b>
	8	19"	438.5	44	–	Transient protection	<b>60110-210</b>
	6	19"	438.5	44	–	Transient protection, mains suppression filter	<b>60110-266</b>
	9	–	947.5	44	–	Transient protection	<b>60110-211</b>

**Item 6** Mounting angle for vertical mounting of socket strips, St, 2 mm, PU 2 pieces

**Delivery: mounted in cabinet or fixed on frame**

Part no./05

**Supplied loose with cabinet or frame**

Part no./35

#### Note

- Please order mounting bracket for vertical assembly separately
- Individual online configuration  
[www.schroff.biz/conf](http://www.schroff.biz/conf)