

- 1
- 2
- 3
- 4
- 5
- 6
- 7
- 8
- 9
- 10
- 11
- 12
- 13
- 14
- 15
- 16
- 17
- 18



**MATERIAL**

Glass-fibre reinforced polyamide based (PA) technopolymer, black colour, matte finish.

**STANDARD EXECUTION**

Brass boss, threaded through hole.

**FEATURES AND APPLICATIONS**

The ergonomic seven-lobe shape allows an effective grip to the operator when tightening.

Suitable for axial locking; it can be used as a nut.

**STANDARD EXECUTION**

Zinc-plated steel hub, pass-through oblique hole, partially threaded. The two lever arms are welded to the hub.

**FEATURES AND APPLICATIONS**

The axial thread, intersecting with the oblique hole, creates the conditions allowing for quick tightening with just a few turns creating an effective tightening over many threads.

**SPECIAL EXECUTIONS ON REQUEST**

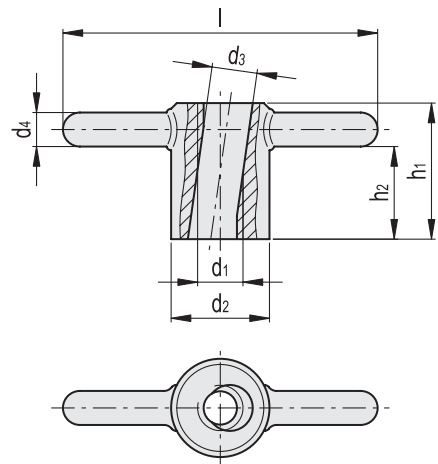
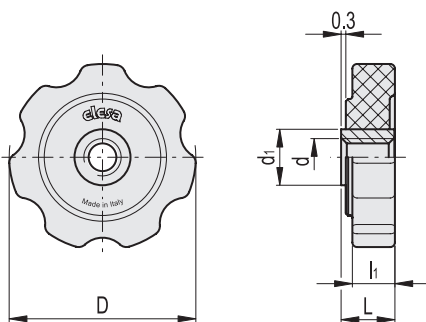
Stainless steel.

**INSTRUCTIONS FOR USE**

The nut thread must fit onto the pin in the axial position. All threads are engaged with a slight tightening.



ELESA Original design



Code	Description	D	d6H	L	d1	l1	Δ
168541	GFL.40-B M8	40	M8	10	12	8.5	7
168542	GFL.40-B M10	40	M10	10	13	8.5	6

Code	Description	d1	d2	d3	d4	l	h1	h2	Δ
GN.63391	GN 6305.1-M10-ST	M10	24	10.5	8	68	30	20	100
GN.63393	GN 6305.1-M12-ST	M12	26	13	9	82	36	24.5	138
GN.63395	GN 6305.1-M16-ST	M16	32	17	10	98	45	32	240