

# GN 75.6 | Knobs Hygienic Design

Stainless steel



## STANDARD EXECUTIONS

- **GN 75.6-D-MT:** AISI 316L stainless steel, sandblasted matte finish, threaded blind hole.
- **GN 75.6-D-PL:** AISI 316L stainless steel, mirror polished finish (RA < 0,8µ), threaded blind hole.
- **GN 75.6-E-MT:** AISI 316L stainless steel, sandblasted matte finish, threaded pin
- **GN 75.6-E-PL:** AISI 316L stainless steel, mirror polished finish (RA < 0,8µ), threaded pin

## PACKING RING

H-NBR synthetic rubber hardness 85 +/-5 Shore A, blue colour, in compliance with FDA.

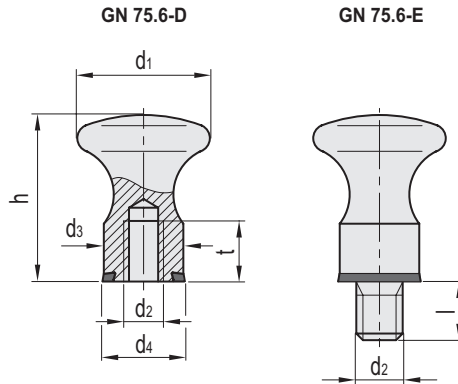
## FEATURES AND APPLICATIONS

GN 75.6 knobs are intended for use in environments where high hygiene is required.

The presence of the special packing ring seals the thread from the external environment, preventing the access of impurities.

The finish quality, angular seal and absence of recesses, prevents dirt adherence and facilitates cleaning.

See Hygienic Design technical data (on page 1186).



## GN 75.6-D-MT



Code	Description	d1	d2	d3	d4	h	tmin	⚖️
GN.38531	GN 75.6-20-M5-D-MT	20	M5	14	14.8	24	7	25
GN.38536	GN 75.6-25-M6-D-MT	25	M6	16	16.8	29	9	45
GN.38541	GN 75.6-32-M8-D-MT	32	M8	18	18.8	37	12	82

## GN 75.6-E-MT



Code	Description	d1	d2	d3	d4	h	l	⚖️
GN.38533	GN 75.6-20-M5-E-MT	20	M5	14	14.8	24	10	28
GN.38538	GN 75.6-25-M6-E-MT	25	M6	16	16.8	29	12	50
GN.38543	GN 75.6-32-M8-E-MT	32	M8	18	18.8	37	14	92

## GN 75.6-D-PL

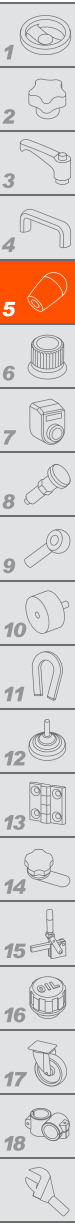


Code	Description	d1	d2	d3	d4	h	tmin	⚖️
GN.38532	GN 75.6-20-M5-D-PL	20	M5	14	14.8	24	7	25
GN.38537	GN 75.6-25-M6-D-PL	25	M6	16	16.8	29	9	45
GN.38542	GN 75.6-32-M8-D-PL	32	M8	18	18.8	37	12	82

## GN 75.6-E-PL



Code	Description	d1	d2	d3	d4	h	l	⚖️
GN.38534	GN 75.6-20-M5-E-PL	20	M5	14	14.8	24	10	28
GN.38539	GN 75.6-25-M6-E-PL	25	M6	16	16.8	29	12	50
GN.38544	GN 75.6-32-M8-E-PL	32	M8	18	18.8	37	14	92



Fixed & Revolving handles