

ALLNET Switch unmanaged outdoor 3 Port Gigabit 100W zbh. Mast-Montage/Pole-Mount Kit

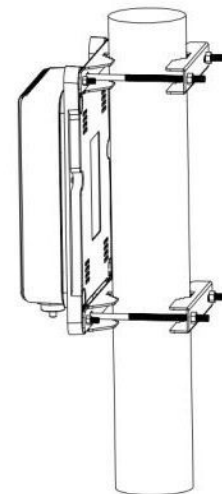
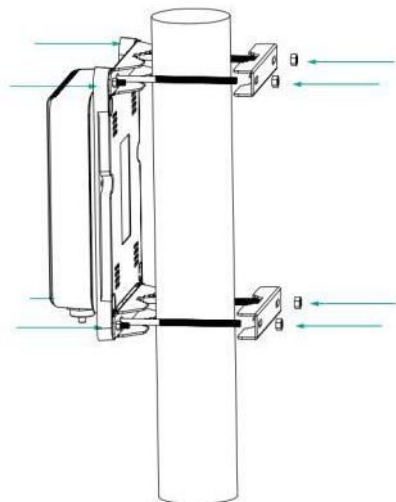


EAN CODE



Outdoor installation Kit(Pole mounting)
Mini Pole diameter:25mm(1 inch)
Max Pole diameter:101.6mm(4 inch)

Weitere Bilder





Art.-Nr.: 191672
Herst.-Nr.: ALL-SGO83-Pole-Kit

Zubehör

Art.-Nr.	Name
180817	ALLNET Switch unmanaged outdoor 3 Port Gigabit 100W / 3x PoE+ / 1x SFP / Lüfterlos / IP66 / "ALL-SGO8103P"