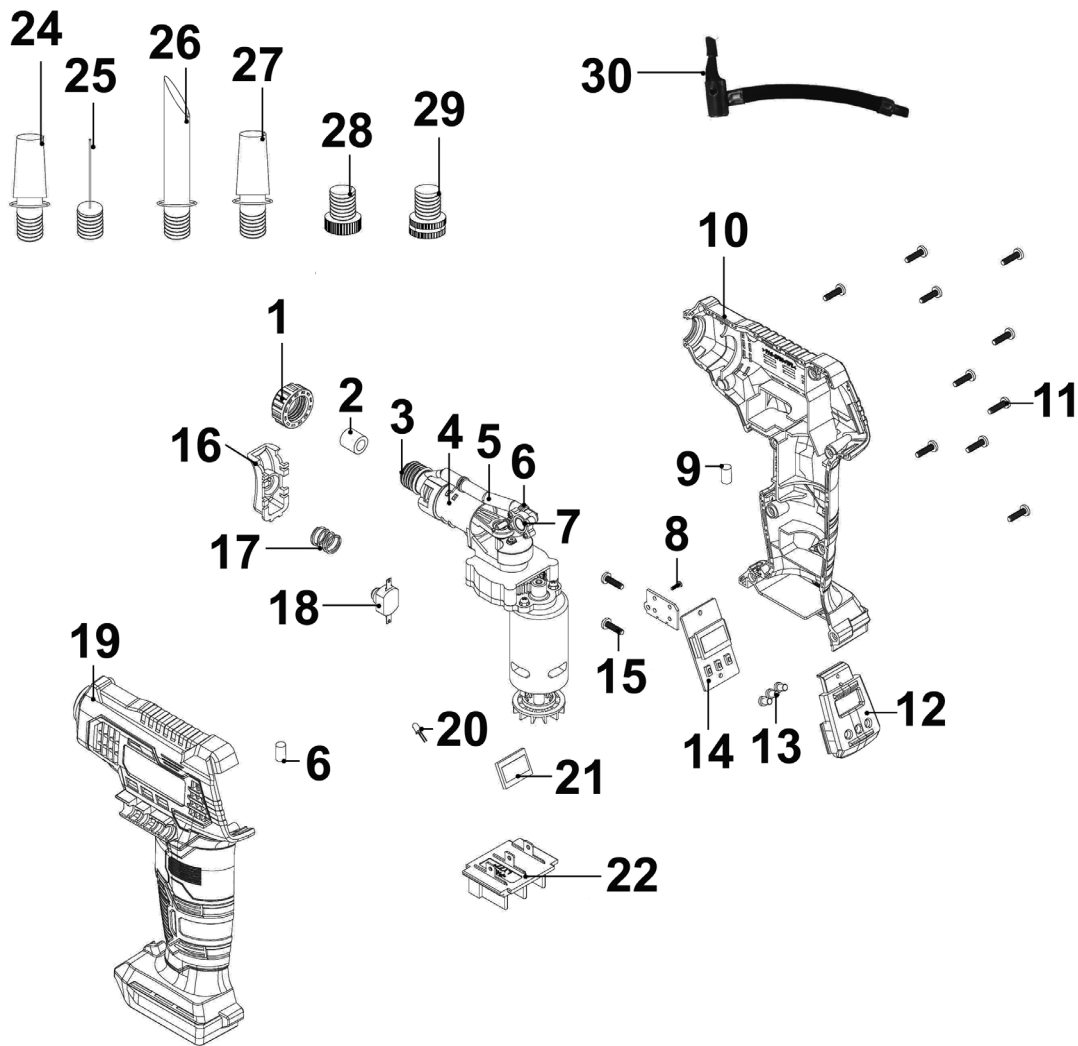




Parts Information:  
**Cordless Air Pump 20V - Body Only**  
**Model No: CP20VAP**



Item	Part No.	Description
1	CP20VAP.01	Front Locking Ring
2	CP20VAP.02	Rubber Bush
3	CP20VAP.03	Gearbox Adaptor
4	CP20VAP.04	Gearbox
5	CP20VAP.05	Rubber Hose
6	CP20VAP.06	Rubber Hose Clamp
7	CP20VAP.07	Sensor
8	CP20VAP.08	Self-Tapping Screw ST3x8
9	CP20VAP.09	Rubber Stop
10	CP20VAP.10	Casing, Right Side
11	CP20VAP.11	Self-Tapping Screw ST3x12
12	CP20VAP.12	Display Panel
13	CP20VAP.13	Display Button
14	CP20VAP.14	Circuit Board
15	CP20VAP.15	Self-Tapping Screw 2.5x6

Item	Part No.	Description
16	CP20VAP.16	Switch Button
17	CP20VAP.17	Switch Button Spring
18	CP20VAP.18	Switch
19	CP20VAP.19	Housing, Left Side
20	CP20VAP.20	LED Light
21	CP20VAP.21	Protection Plate
22	CP20VAP.22	Battery Connection Plate
24	CP20VAP.24	Universal Adaptor (A)
25	CP20VAP.25	Ball Needle
26	CP20VAP.26	Universal Adaptor (B)
27	CP20VAP.27	Universal Adaptor ©
28	CP20VAP.28	Bike Tyre Valve (A)
29	CP20VAP.29	Bike Tyre Valve (B)
30	CP20VAP.30	150mm Compressor Hose with Tyre Valve

**NOTE:** It is our policy to continually improve products and as such we reserve the right to alter data, specifications and component parts without prior notice. There may be alternative versions of this product, please contact us should you require this information.

**IMPORTANT:** No liability is accepted for incorrect use of product. Spare parts must be fitted by a competent person

**WARRANTY:** Guarantee is 12 months from purchase date, proof of which will be required for any claim.

Sealey Group, Kempson Way, Suffolk Business Park, Bury St Edmunds, Suffolk. IP32 7AR



01284 757500



01284 703534



sales@sealey.co.uk



www.sealey.co.uk