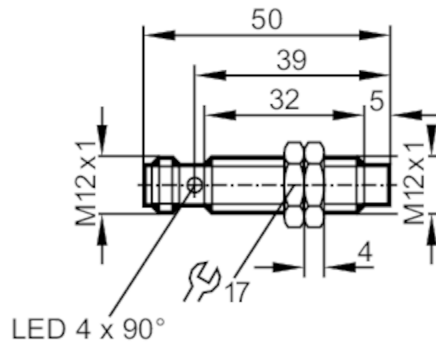


# IFS203



## Inductive sensor

IFB2007-ARKG/M/US-104-ARS



### Product characteristics

Electrical design		PNP/NPN
Output function		normally open
Sensing range	[mm]	7
Housing		threaded type
Dimensions	[mm]	M12 x 1 / L = 50

### Application

Special feature		Gold-plated contacts; Increased sensing range
Application		Industrial applications / factory automation

### Electrical data

Operating voltage	[V]	10...30 DC
Protection class		II
Reverse polarity protection		yes

### Outputs

Electrical design		PNP/NPN
Output function		normally open
Max. voltage drop switching output DC	[V]	2.5
Minimum load current	[mA]	2
Max. leakage current	[mA]	0.5
Permanent current rating of switching output DC	[mA]	100
Switching frequency DC	[Hz]	700
Short-circuit protection		yes
Type of short-circuit protection		pulsed
Overload protection		yes

### Detection zone

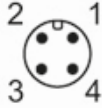
Sensing range	[mm]	7
Real sensing range Sr	[mm]	7 ± 10 %
Operating distance	[mm]	0...5.7
Increased sensing range		yes

# IFS203



## Inductive sensor

IFB2007-ARKG/M/US-104-ARS

Accuracy / deviations		
Correction factor	steel: 1 / stainless steel: 0.7 / brass: 0.5 / aluminium: 0.4 / copper: 0.3	
Hysteresis [% of Sr]	3...15	
Switch point drift [% of Sr]	-10...10	
Operating conditions		
Ambient temperature [°C]	-25...70	
Protection	IP 67	
Tests / approvals		
EMC	EN 61000-4-2 ESD	4 kV CD / 8 kV AD
	EN 61000-4-3 HF radiated	10 V/m
	EN 61000-4-4 Burst	2 kV
	EN 61000-4-6 HF conducted	10 V
	EN 55011	class B
MTTF [years]	2487	
UL approval	Ta	0...40 °C
	Enclosure type	Type 1
	voltage supply	Hazardous voltage
	File number UL	E174191
Mechanical data		
Weight [g]	25.8	
Housing	threaded type	
Mounting	non-flush mountable	
Dimensions [mm]	M12 x 1 / L = 50	
Thread designation	M12 x 1	
Materials	brass white bronze coated; sensing face: PBT	
Displays / operating elements		
Display	switching status	4 x 90° LED, yellow
Accessories		
Accessories (supplied)	lock nuts: 2	
Remarks		
Pack quantity	1 pcs.	
Electrical connection - plug		
Connector: 1 x M12; Contacts: gold-plated		
		

# IFS203



## Inductive sensor

IFB2007-ARKG/M/US-104-ARS

### Connection

