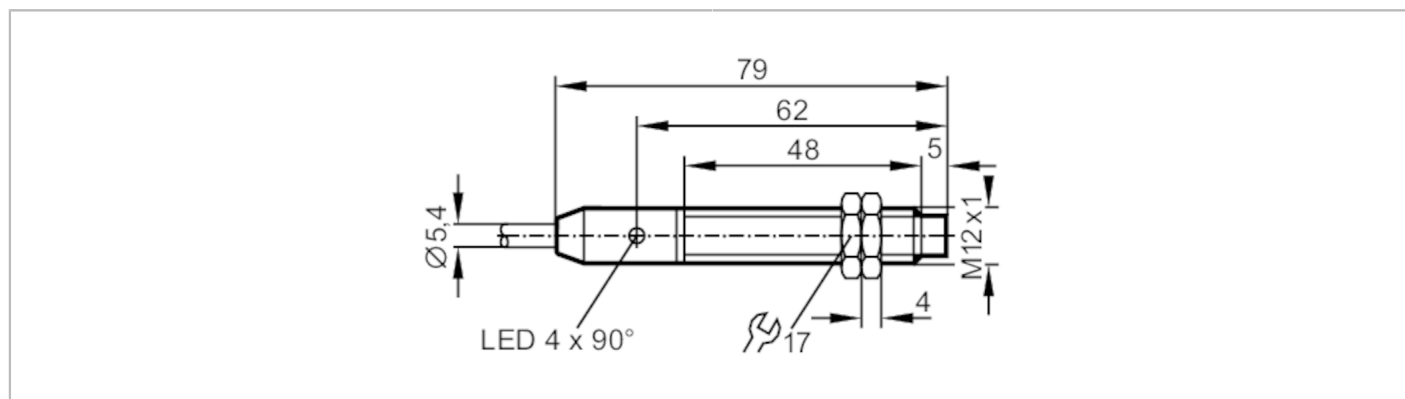


# IFT213



## Inductive sensor

IFKC007-ASKG/M/V4A/6M/WH



### Product characteristics

Electrical design	PNP/NPN
Output function	normally open
Sensing range [mm]	7
Housing	threaded type
Dimensions [mm]	M12 x 1 / L = 79

### Application

Special feature	Increased sensing range; Optical setting aid
Application	Use in wet areas and in the food and beverage industry

### Electrical data

Operating voltage [V]	10...30 DC
Current consumption [mA]	12; (24 V)
Protection class	II
Reverse polarity protection	yes

### Outputs

Electrical design	PNP/NPN
Output function	normally open
Max. voltage drop switching output DC [V]	2.8
Minimum load current [mA]	2; (only in 2-wire operation)
Max. leakage current [mA]	0.5; (only in 2-wire operation)
Permanent current rating of switching output DC [mA]	100
Switching frequency DC [Hz]	700
Short-circuit protection	yes
Type of short-circuit protection	pulsed
Overload protection	yes

# IFT213



## Inductive sensor

IFKC007-ASKG/M/V4A/6M/WH

Detection zone		
Sensing range [mm]	7	
Real sensing range Sr [mm]	7 ± 10 %	
Operating distance [mm]	0...5.7	
Increased sensing range	yes	
Accuracy / deviations		
Correction factor	steel: 1 / stainless steel: 0.7 / brass: 0.5 / aluminium: 0.4 / copper: 0.3	
Hysteresis [% of Sr]	3...15	
Switch point drift [% of Sr]	-10...10	
Operating conditions		
Ambient temperature [°C]	0...100	
Protection	IP 68; IP 69K	
Tests / approvals		
EMC	EN 61000-4-2 ESD	4 kV CD / 8 kV AD
	EN 61000-4-3 HF radiated	10 V/m
	EN 61000-4-4 Burst	2 kV
	EN 61000-4-6 HF conducted	10 V
	EN 55011	class B
MTTF [years]	1287	
UL approval	Ta	0...40 °C
	Enclosure type	Type 1
	voltage supply	Limited Voltage/Current
	File number UL	E174191
Mechanical data		
Weight [g]	251.5	
Housing	threaded type	
Mounting	non-flush mountable	
Dimensions [mm]	M12 x 1 / L = 79	
Thread designation	M12 x 1	
Materials	stainless steel (1.4404 / 316L); sensing face: PEEK	
Displays / operating elements		
Display	switching status	1 x LED, yellow
	setting aid	1 x LED, red
Optical setting aid	yes	
Accessories		
Accessories (supplied)	lock nuts: 2	
Remarks		
Remarks	suitable for PLC type 1 according to IEC 61131-2	
Pack quantity	1 pcs.	

# IFT213



## Inductive sensor

IFKC007-ASKG/M/V4A/6M/WH

### Electrical connection

Cable: 6 m, PVC; 3 x 0.34 mm<sup>2</sup>

### Connection

