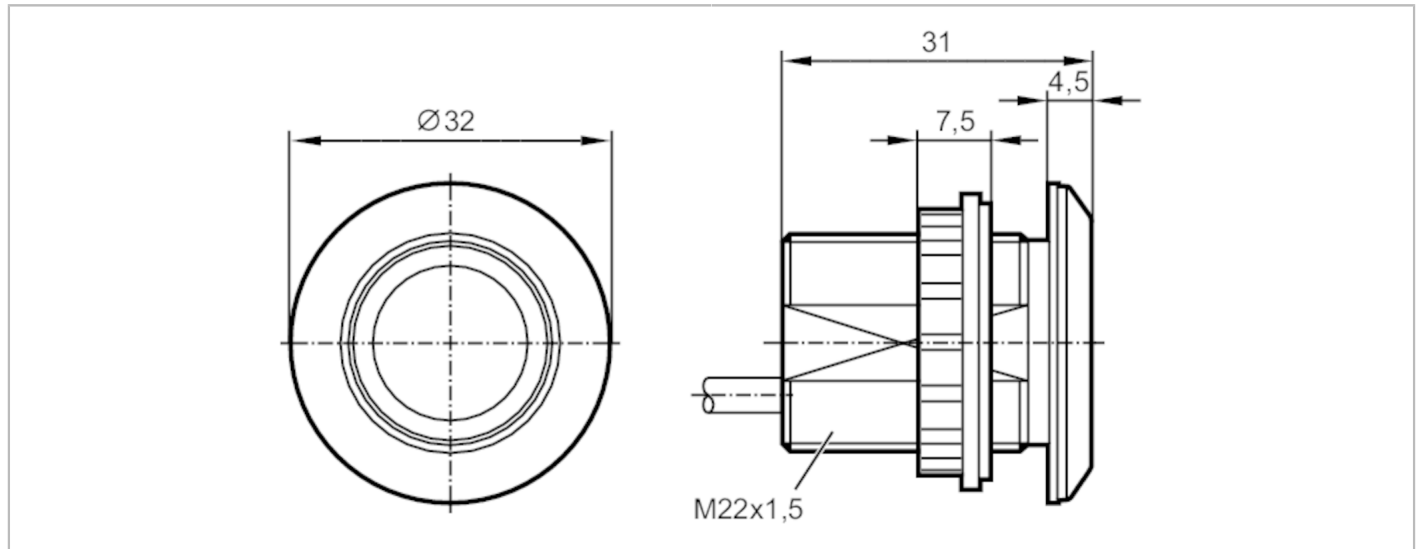


# KT5311



## Capacitive illuminated pushbutton

KTMDF-EGRBPKG/US/0,3m



Product characteristics		
Electrical design		PNP
Output function		normally open
Dimensions	[mm]	Ø 32 / L = 31
Application		
Operating principle		dynamic
Electrical data		
Operating voltage	[V]	12...30 DC
Current consumption	[mA]	30
Protection class		III
Reverse polarity protection		yes
Max. power-on delay time	[ms]	500
Outputs		
Electrical design		PNP
Output function		normally open
Permanent current rating of switching output DC	[mA]	200
Short-circuit protection		yes
Overload protection		yes
Length of output signal	[ms]	300
Response times		
Response time	[ms]	35
Operating conditions		
Ambient temperature	[°C]	-40...85
Protection		IP 65; IP 67; IP 69K; (on the front)
Tests / approvals		
EMC		IEC 61000-4

# KT5311



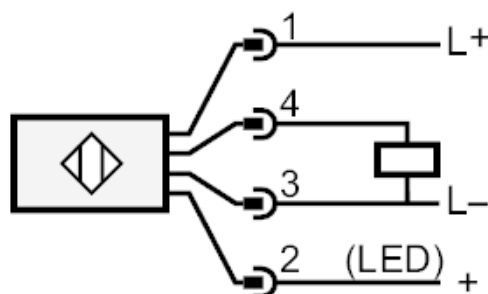
## Capacitive illuminated pushbutton

KTMDF-EGRBPKG/US/0,3m

Mechanical data		
Weight	[g]	76.5
Dimensions	[mm]	Ø 32 / L = 31
Materials	stainless steel (1.4404 / 316L); active face: PA Grilamid TR 90UV	
Displays / operating elements		
Display	switching status	1 x LED, red
	function	1 x LED, green can be triggered
Accessories		
Accessories (supplied)	lock nuts: 1	
	Gasket: 1	
Accessories (optional)	symbol disc	
Remarks		
Pack quantity	1 pcs.	

Electrical connection	
Cable: 0.3 m, PUR	

### Connection



Connector: 1 x M12