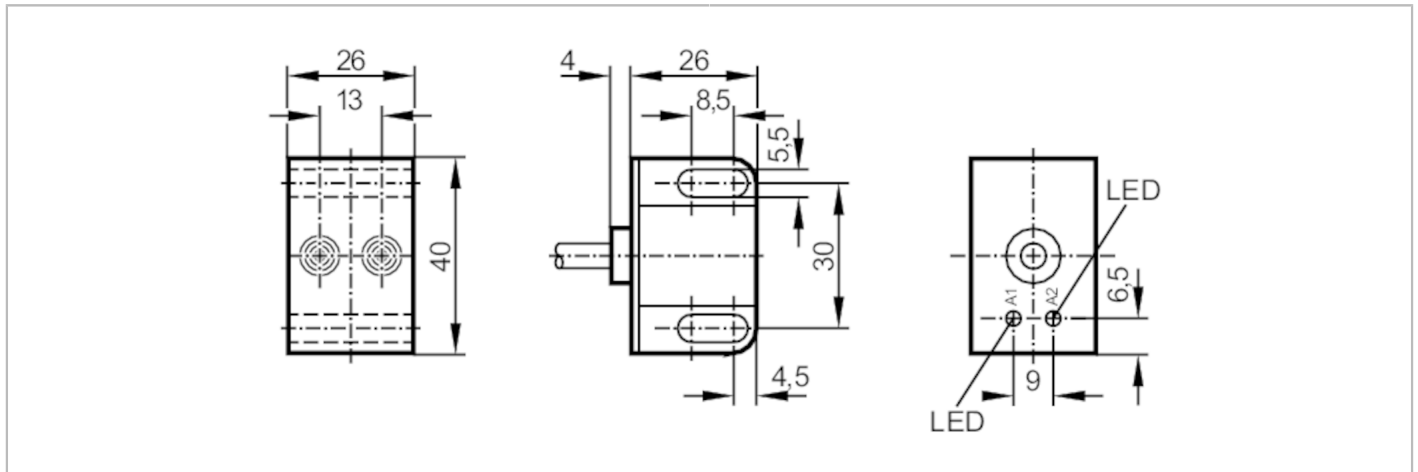


NN5011



Inductive NAMUR dual sensor for valve actuators

IND2004DN/10M/1D/1G/2G



Product characteristics	
Electrical design	NAMUR
Output function	2 x normally closed
Sensing range [mm]	4
Housing	rectangular
Dimensions [mm]	40 x 26 x 26
Electrical data	
Connection to switching amplifiers	yes
Switching amplifiers	connection to certified intrinsically safe circuits with the max. values: U = 15 V / I = 50 mA / P = 120 mW
Nominal voltage DC [V]	8.2; (1kΩ)
Supply voltage DC [V]	7.5...15
Current consumption [mA]	< 1; (disabled; conductive: > 2,1)
Protection class	III
Outputs	
Electrical design	NAMUR
Output function	2 x normally closed
Switching frequency DC [Hz]	1800
Detection zone	
Sensing range [mm]	4
Real sensing range Sr [mm]	4 ± 10 %
Accuracy / deviations	
Correction factor	steel: 1 / stainless steel: 0.7 / brass: 0.5 / aluminium: 0.4 / copper: 0.3
Hysteresis [% of Sr]	1...15
Switch point drift [% of Sr]	-10...10
Operating conditions	
Ambient temperature [°C]	-20...80
Protection	IP 67

NN5011



Inductive NAMUR dual sensor for valve actuators

IND2004DN/10M/1D/1G/2G

Tests / approvals		
Approval	DMT 02 ATEX E028; BVS 04 ATEX E153; TIIS TC17612; IECEx BVS 06.0003	
ATEX marking	Ⓔ II 1G Ex ia IIB T6 Ga Ta: -20...70°C	
	Ⓔ II 2G Ex ia IIC T6 Gb Ta: -20...70°C	
	Ⓔ II 1D Ex ia IIIC T 90°C Da Ta: -20...70°C	
	Ⓔ II 1G Ex ia IIB T5 Ga Ta: -20...80°C	
	Ⓔ II 2G Ex ia IIC T5 Gb Ta: -20...80°C	
	Ⓔ II 1D Ex ia IIIC T 100°C Da Ta: -20...80°C	
EMC	EN 60947-5-6	
Shock/vibration resistance	30 g (11 ms) / 10-55 Hz (1 mm)	
MTTF [years]	1253	
Safety classification		
Max. internal capacitance [nF]	140; (per intrinsically safe circuit)	
Max. internal inductance [μH]	140; (per intrinsically safe circuit)	
Mechanical data		
Weight [g]	500.7	
Housing	rectangular	
Mounting	non-flush mountable	
Dimensions [mm]	40 x 26 x 26	
Materials	housing: PBT; cover: PC	
Displays / operating elements		
Display	switching status	2 x LED, yellow
Remarks		
Pack quantity	1 pcs.	

NN5011



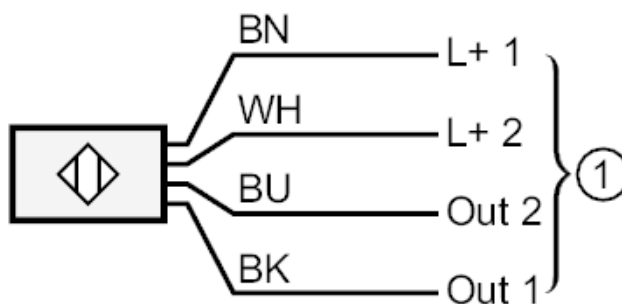
Inductive NAMUR dual sensor for valve actuators

IND2004DN/10M/1D/1G/2G

Electrical connection

Cable: 10 m, silicone; 4 x 0.34 mm²

Connection



1 = connection to NAMUR amplifiers

Core colours :

BK = black
BN = brown
BU = blue
WH = white