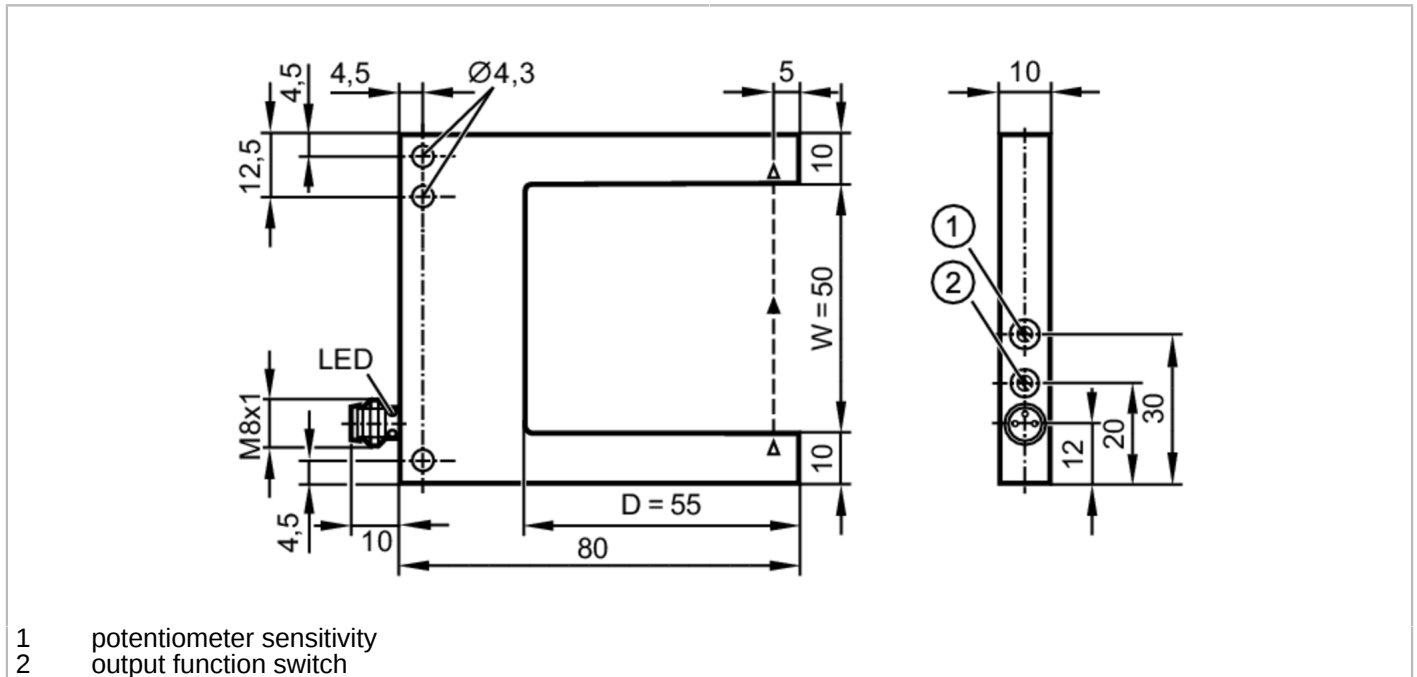


OPU203



Photoelectric fork sensor

OPU-FCKG/IO-LINK/AS



Product characteristics	
Type of light	red light
Communication interface	IO-Link
Dimensions [mm]	70 x 10 x 80
Electrical data	
Operating voltage [V]	10...30 DC; (operating voltage "supply class 2" according to cULus)
Current consumption [mA]	< 30
Protection class	III
Reverse polarity protection	yes
Type of light	red light
Wave length [nm]	660
Outputs	
Electrical design	PNP
Output function	light-on/dark-on mode; (selectable)
Max. voltage drop switching output DC [V]	1
Permanent current rating of switching output DC [mA]	100
Switching frequency DC [Hz]	5000
Short-circuit protection	yes
Type of short-circuit protection	pulsed
Overload protection	yes
Detection zone	
Diameter of the smallest detectable object [mm]	0.3

OPU203



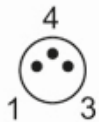
Photoelectric fork sensor

OPU-FCKG/IO-LINK/AS

Interfaces		
Communication interface	IO-Link	
Transmission type	COM2 (38,4 kBaud)	
IO-Link revision	1.1	
SDCI standard	IEC 61131-9	
IO-Link device ID	978 d / 00 03 D2 h	
Profiles	Smart Sensor: Device Identification; Device Diagnosis; Teach Channel; Switching Channel; Process Data Variable	
SIO mode	yes	
Required master port type	A	
Min. process cycle time [ms]	3.2	
Operating conditions		
Ambient temperature [°C]	-25...60	
Protection	IP 67	
Tests / approvals		
EMC	EN 60947-5-2	
MTTF [years]	709	
Mechanical data		
Weight [g]	122	
Dimensions [mm]	70 x 10 x 80	
Fork depth D [mm]	55	
Fork width W [mm]	50	
Materials	housing: diecast zinc black anodised; lens: glass	
Displays / operating elements		
Display	switching status	1 x LED, yellow
Remarks		
Remarks	operating voltage "supply class 2" according to cULus	
Pack quantity	1 pcs.	

Electrical connection

Connector: 1 x M8



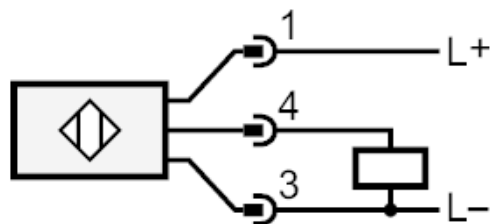
OPU203



Photoelectric fork sensor

OPU-FCKG/IO-LINK/AS

Connection



4

OUT / IO-Link