

## MSUD VALVE PLUG FORM A 18MM

PUR 3X0.75 GRAY, UL/CSA, drag ch 12m

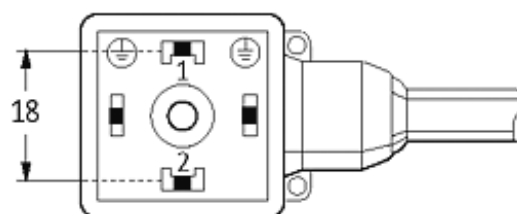
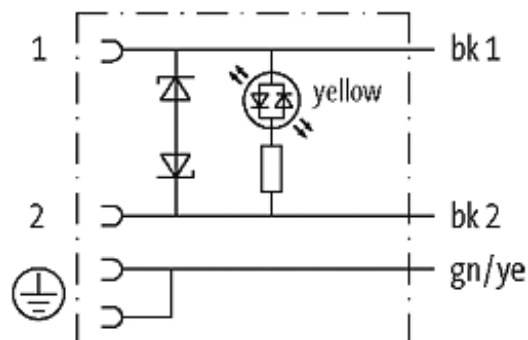
Form A (18 mm)

24 V AC/DC with LED and suppression

Further cable lengths on request. Plastic housings with good resistance against chemicals and oils. The resistance to aggressive media should be individually tested for your application. Further details on request.

### [Link to Product](#)

#### Illustration





Product may differ from Image

### Approvals



### Form

18021

### Technical Data

|                               |  |
|-------------------------------|--|
| Operating voltage             | 24 V AC/DC $\pm 25\%$                  |
| Operating current per contact | max. 4 A                               |
| Switch off peak               | max. 55 V                              |
| Switch off delay time         | max. 20 ms                             |
| Locking of ports              | M3 (recommended torque 0.4 Nm)         |
| Protection                    | IP67 inserted and tightened (EN 60529) |
| Housing                       | Black plastic (gray on request)        |

### Cables

|                             |                                 |
|-----------------------------|---------------------------------|
| Cable number                | 236                             |
| No./diameter of wires       | 3 $\times$ 0.75 mm <sup>2</sup> |
| Wire isolation              | PP (bk, num, gnye)              |
| C-track properties          | 5 Mio.                          |
| Torsion                     | 2 Mio. $\pm$ 180°/m             |
| Jacket Color                | gray                            |
| Shore hardness outer jacket | 90 $\pm$ 5A                     |
| Material (jacket)           | PUR (UL/CSA)                    |
| Outer diameter              | approx. 5.9 mm                  |
| Bend radius (fixed)         | 5 $\times$ outer $\varnothing$  |
| Bend radius (moving)        | 10 $\times$ outer $\varnothing$ |
| Temperature range (fixed)   | -40...+80 °C                    |
| Temperature range (mobile)  | -25...+80 °C                    |

### Commercial data

|                   |    |
|-------------------|----|
| country of origin | CZ |
|-------------------|----|

---

|                        |          |
|------------------------|----------|
| customs tariff number  | 85444290 |
| minimum order quantity | 1        |