



**Model Number**

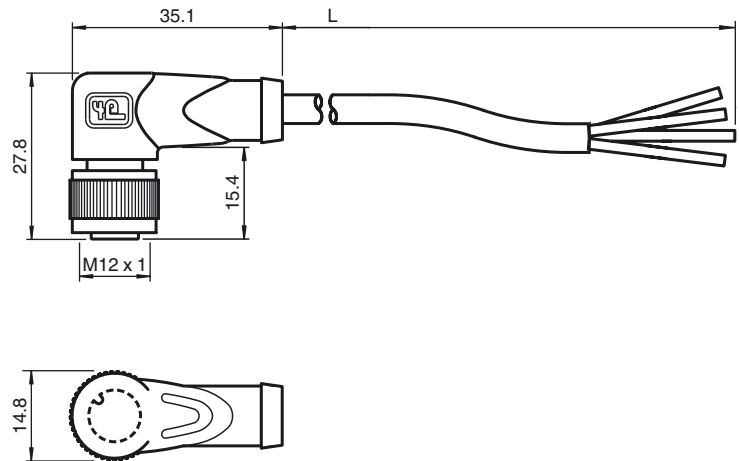
**V1-W-6M-PVC**

Female cordset, M12, 4-pin, PVC cable

**Features**

- Knurled nut suitable for tool assembly
- Immunity to vibration, with mechanical latching
- Degree of protection IP67 / IP68 / IP69K
- Gold plated contacts

**Dimensions**



**Technical data**

**General specifications**

Number of pins 4

**Electrical specifications**

Operating voltage  $U_B$  max. 250 V AC/DC  
 Operating current  $I_B$  max. 4 A  
 Contact resistance < 10 mΩ

**Ambient conditions**

Ambient temperature Body: -40 ... 90 °C (-40 ... 194 °F)  
 cable, fixed: -25 ... 70 °C (-13 ... 158 °F)  
 cable, flexing: -5 ... 70 °C (23 ... 158 °F)

Pollution Degree 3

**Mechanical specifications**

Contact elements spring-loaded contact socket  
 Pin diameter 1 mm  
 Degree of protection IP67 / IP68 / IP69k

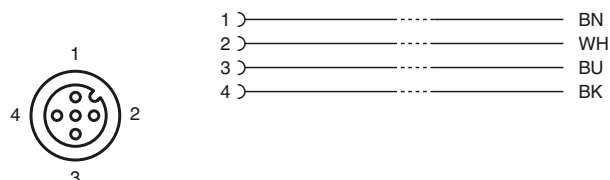
**Material**

Contacts CuSn / Au  
 Contact surface Au  
 Body TPU, black  
 Cable PVC  
 Slotted nut Diecast zinc  
 Core insulation PVC  
 Cable fine-strand, flexible  
 Sheath diameter Ø 4.8 mm  
 Bending radius > 10 x cable diameter, moving  
 Color grey  
 Cores 4 x 0.34 mm<sup>2</sup>  
 Conductor construction 19 x 0.15 mm Ø  
 Length L 6 m  
 Flammability  
 Contact material 94 HB  
 Housing 94 V-2  
 Cable flame-resistant

**Compliance with standards and directives**

Standard conformity  
 Degree of protection EN 60529:2000  
 Standards IEC 61076-2-101:2008

**Electrical connection**



Release date: 2015-01-08 11:51 Date of issue: 2015-01-08 040406\_eng.xml