

Slimline Axial Flow Fan

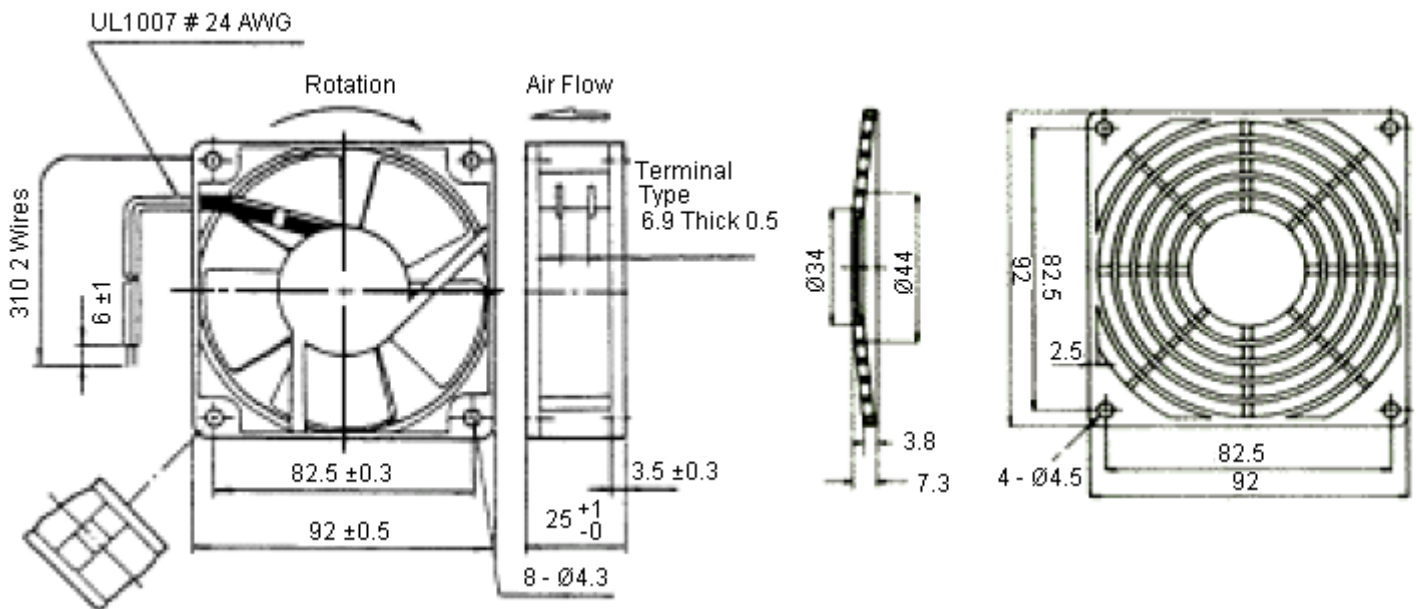


92 mm



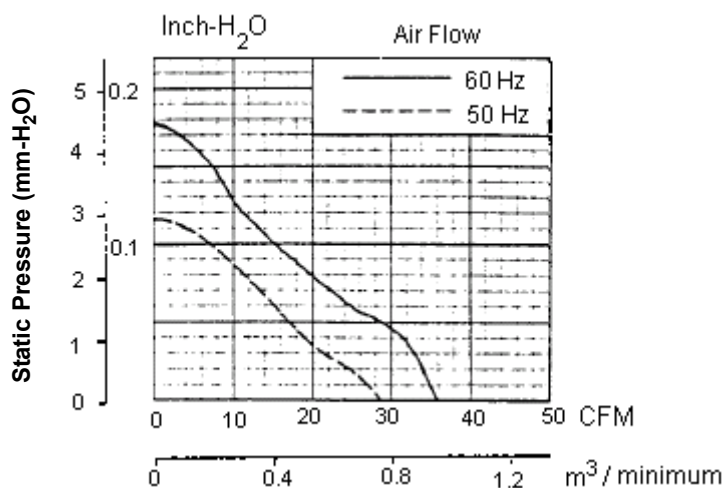
Features:

- Low cost slimline AC fans
- Ball bearing
- Aluminium frame with rated plastic impeller
- Supplied with a 330 mm 24 AWG lead wire
- 29 to 37 CFM
- 115 V or 230 V ac, 50 / 60 Hz
- Reliable AC motor construction
- Precision ball bearing system
- Available with terminal type or leadwire type
- 24 AWG leadwire



Dimensions : Millimetres

Performance HST / HSL



Slimline Axial Flow Fan



92 mm

Specifications:

Motor	: Reliable shaded-pole motor construction
Frame	: Die-cast aluminium housing painted black for moisture and corrosion resistance
Impeller	: Injection moulded non-flammable black thermoplastic
Bearing	: Precision, life-lubricated ball bearing system Precision, oil-impregnated sintered sleeve bearing system
Insulation	: Class B integral ground system rated at 120°C
Insulation Resistance	: 500 MΩ minimum at 500 V dc
Dielectric Strength	: 1,500 V ac for one minute
Safety Protection	: Impedance protected
Operating Temperature	: -10°C to +70°C
Storage Temperature	: -40°C to +80°C
Operating Voltage	: For 115 V, ranged voltage from 85 V to 125 V For 230 V, ranged voltage from 185 V to 245 V
Life Expectancy	: >30,000 hours at 55°C

Specification Table

Height		92
Width		
Depth		25
Type		92
Bearing Type*		BB
Frequency (Hz)		50 / 60
Current (A)		0.07 / 0.06
Power (Watts)		14.5 / 14
Speed (RPM)		2,350 / 2,850
Air Flow	cu ft / Minimum	30 / 37
	ltrs / Seconds	17.4
Static Pressure (Inch-H₂O)		0.13 / 0.19
Noise dBA at 1 m		37 / 40
Voltage (V ac)		230
Part Number		SF23092A/2092HBL.GN

*BB = Ball Bearing

Dimensions : Millimetres (Unless Specified)

Important Notice : This data sheet and its contents (the "Information") belong to the members of the Premier Farnell group of companies (the "Group") or are licensed to it. No licence is granted for the use of it other than for information purposes in connection with the products to which it relates. No licence of any intellectual property rights is granted. The Information is subject to change without notice and replaces all data sheets previously supplied. The Information supplied is believed to be accurate but the Group assumes no responsibility for its accuracy or completeness, any error in or omission from it or for any use made of it. Users of this data sheet should check for themselves the Information and the suitability of the products for their purpose and not make any assumptions based on information included or omitted. Liability for loss or damage resulting from any reliance on the Information or use of it (including liability resulting from negligence or where the Group was aware of the possibility of such loss or damage arising) is excluded. This will not operate to limit or restrict the Group's liability for death or personal injury resulting from its negligence. Multicomp is the registered trademark of the Group. © Premier Farnell plc 2012.