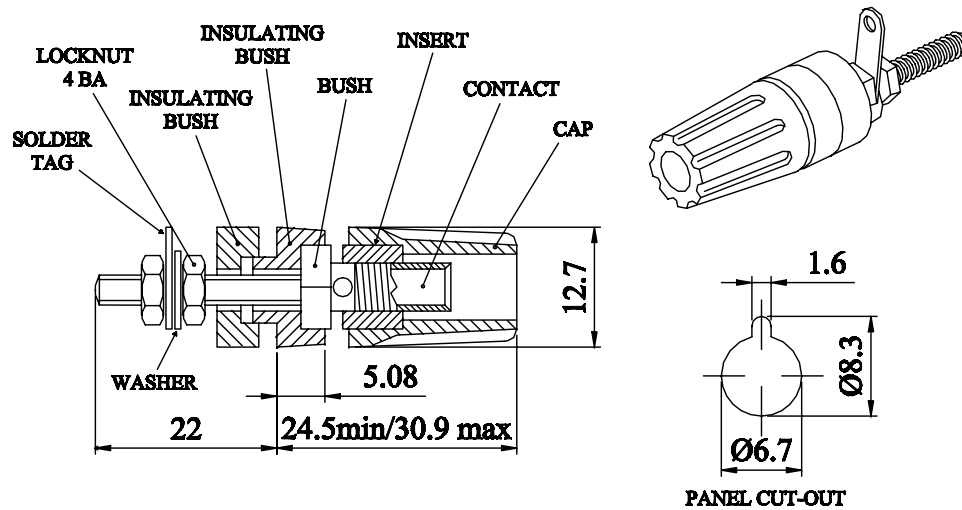


Insulated terminal binding post with a 4mm socket. Panel insulating bushes have a location keyway, maximum panel thickness 12,7mm. Threaded termination supplied with solder tag washer.

MATERIAL	
CAP	Acetal
CONTACT	Brass, bright nickel plate
INSERT	Brass, bright nickel plate
BUSH	Brass, bright nickel plate
INSULATING BUSHES	Acetal
LOCKNUT	Brass, bright nickel plate
WASHER	Brass, bright nickel plate
SOLDER TAG	Brass, silver plate

Current Rating : 30 Amps at 1000 V

Dimensions



COLOUR	ORDER CODE
BLACK	552-0100
BLUE	552-0200
BROWN	552-0300
GREEN	552-0400
RED	552-0500
WHITE	552-0600
YELLOW	552-0700

CONVERTED FROM PS0389 ISS3 (10.05.94) IN JAN 2003

DrgNo 552 SERIES

TITLE INSULATED TERMINAL

ALL DIMENSIONS IN MM
ANGLES IN DECIMAL DEGREES

ISSUE 4	GENERAL SPECIFICATION FOR 552 SERIES	CUSTOMER		FILTER REF		Scale: NTS	Sheet 1 / 1
		Aprvd Date 04/09/07	Aprvd By MC	Drwn by BS			

© Deltron Emcon Limited E-Mail components@deltron-emcon.com, Website www.deltron-emcon.com. Phone +44 1724 273200 Fax +44 1724 270230