

DSN6NC51H222Q55#

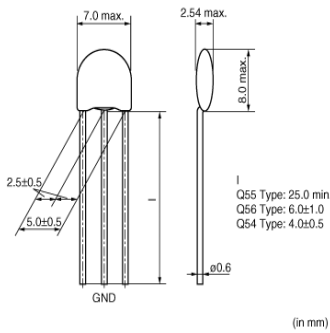
“#” indicates a package specification code.

In Production Recommended RoHS REACH

< List of part numbers with package codes >

DSN6NC51H222Q55B

Appearance & Shape



Features

DS_6 is a compact, high performance lead type EMI suppression filter which can be mounted 2.54mm pitch. Its three terminal structure enables precise high frequency performance.

Applications

Other Usage	For general
-------------	-------------

Packaging Information

Packaging	Specifications	Minimum Order Quantity
B	Bulk(Bag)	250

Attention

1.This datasheet is downloaded from the website of Murata Manufacturing Co., Ltd. Therefore, it's specifications are subject to change or our products may be discontinued without advance notice. Please check with our sales representatives or product engineers before ordering.
2.This datasheet has only typical specifications because there is no space for detailed specifications.
Therefore, please review our product specifications or consult the approval sheet for product specifications before ordering.

DSN6NC51H222Q55#

“#” indicates a package specification code.

Specifications

Shape	Lead
Length	7.0mm
Length Tolerance	max.
Width	2.54mm
Width Tolerance	max.
Thickness	8.0mm
Thickness Tolerance	max.
Rated Current	6.0A
Operating Temperature Range	-25°C to 85°C
Mass(Typ.)	0.35g
Number of Circuit	1
Rated Voltage	50Vdc
Withstanding Voltage	125Vdc
Capacitance	2200.0pF
Tolerance	±20%
Structure/Shape	Small type without beads

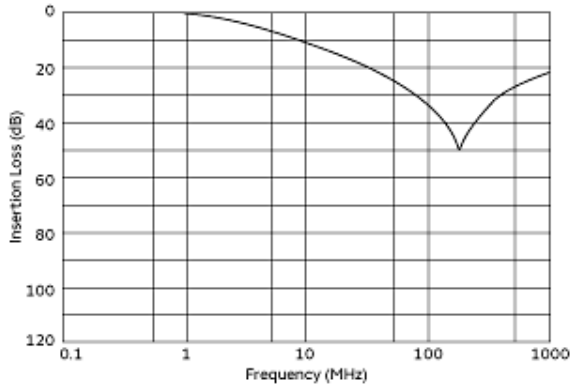
Attention

1.This datasheet is downloaded from the website of Murata Manufacturing Co., Ltd. Therefore, it's specifications are subject to change or our products may be discontinued without advance notice. Please check with our sales representatives or product engineers before ordering.
 2.This datasheet has only typical specifications because there is no space for detailed specifications.
 Therefore, please review our product specifications or consult the approval sheet for product specifications before ordering.

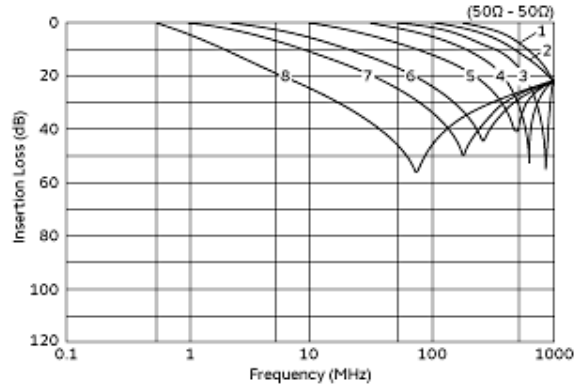
DSN6NC51H222Q55#

“#” indicates a package specification code.

Product Data

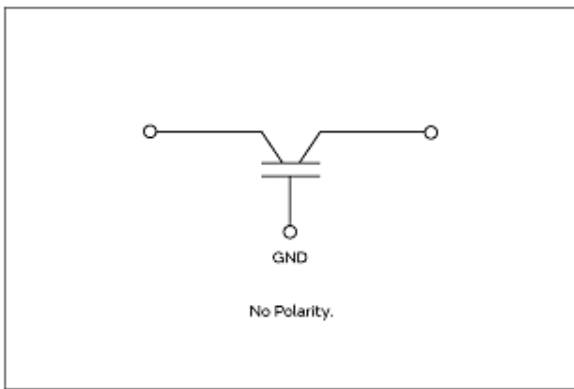


Insertion Loss Characteristics



- 1: 22pF
- 2: 33pF
- 3: 47pF
- 4: 100pF
- 5: 270pF
- 6: 1000pF
- 7: 2200pF
- 8: 10000pF

Insertion Loss Characteristics (Main Items)



Equivalent Circuit

Attention

1. This datasheet is downloaded from the website of Murata Manufacturing Co., Ltd. Therefore, its specifications are subject to change or our products may be discontinued without advance notice. Please check with our sales representatives or product engineers before ordering.
 2. This datasheet has only typical specifications because there is no space for detailed specifications.
 Therefore, please review our product specifications or consult the approval sheet for product specifications before ordering.