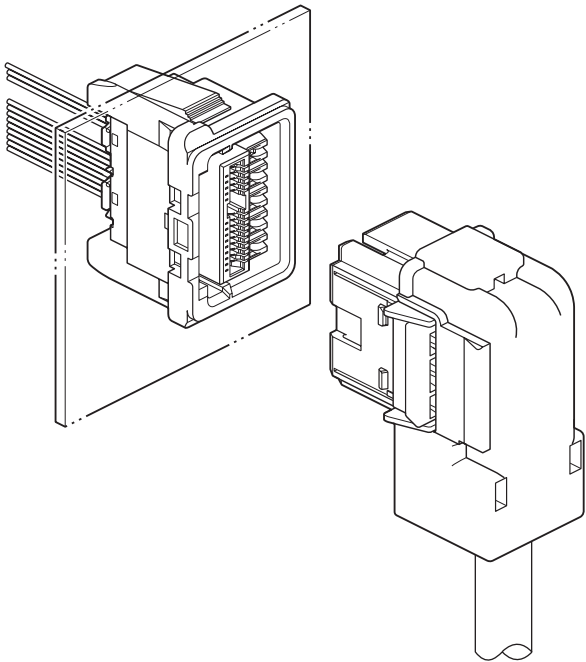




DAC CONNECTOR

Disconnectable Crimp style Wire-to-wire connectors



Hybrid type I/O connector with combined signal and power supply circuits.

- Signal circuit 1.0mm pitch lever-locking type
- Curtailment of number of component
- Space saving
- Locking mechanism

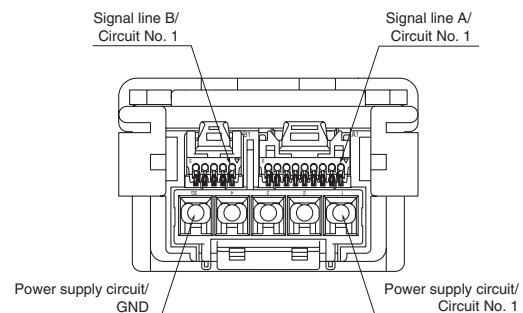
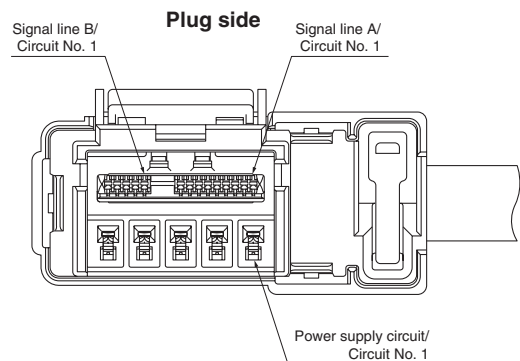
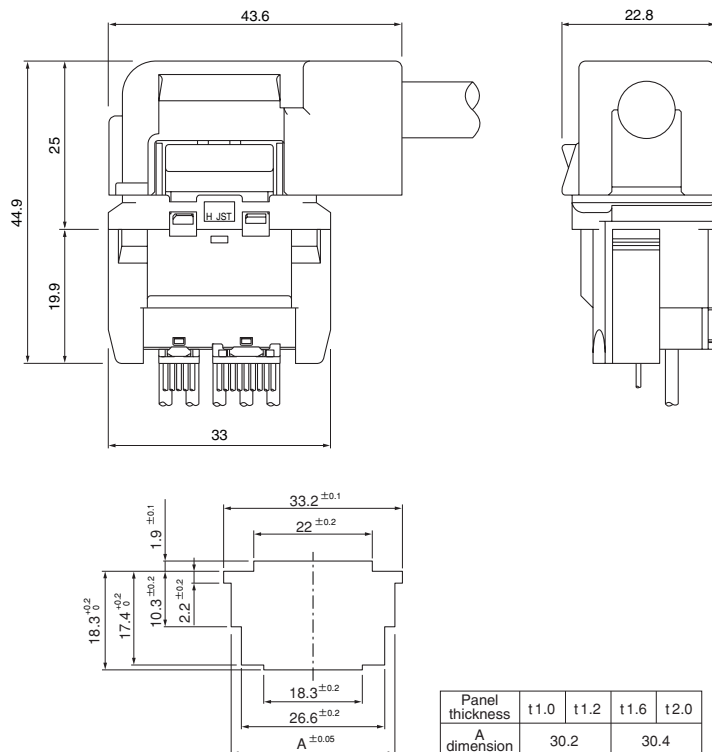
Specifications

- Current rating: Signal circuit/ 1.5A AC, DC (AWG #27, #26)
Power supply circuit/ 6A AC, DC (AWG #18)
- Voltage rating: Signal circuit/ 50V AC, DC
Power supply circuit/ 300V AC, DC
- Temperature range: -25°C to +85°C
(including temperature rise in applying electrical current)
- Applicable wire: Signal circuit Conductor size/ AWG #30 to #26
Power supply circuit Conductor size/ AWG #22 to #18
Plug side sheath O.D./ 5 to 8.2mm
- Number of circuits: Signal circuit/ 14 circuits
Power supply circuit/ 5 circuits
- Applicable PC board thickness: 1.0 to 2mm
- Mating/unmating life: 100 cycles
- * Compliant with RoHS.
- * Refer to "General Instruction and Notice when using Terminals and Connectors" at the end of this catalog.
- * Contact JST for details.

Standards

Recognized E60389

J50219161

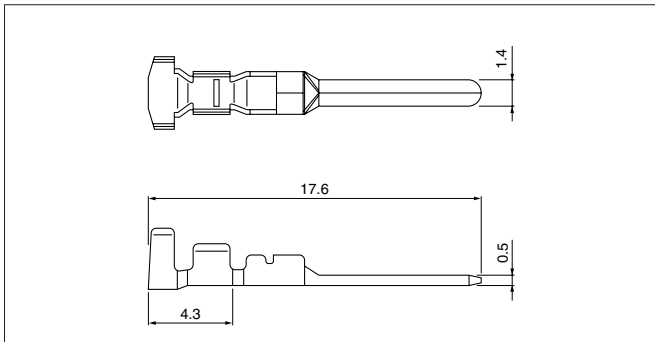


Receptacle side

- Note: 1. Punch holes in the panel according to the figures shown above. Burrs must be removed.
2. The strength of the panel must be considered when punching two or more holes.
3. The connector must be inserted from the same side as the hole is punched.

DAC CONNECTOR

Plug contact for power supply circuit



Model No.	Applicable wire		Insulation O.D. (mm)	Q'ty / reel
	mm ²	AWG #		
SSM-21T-P1.4	0.3 to 0.75	22 to 18	1.5 to 2.5	6,000

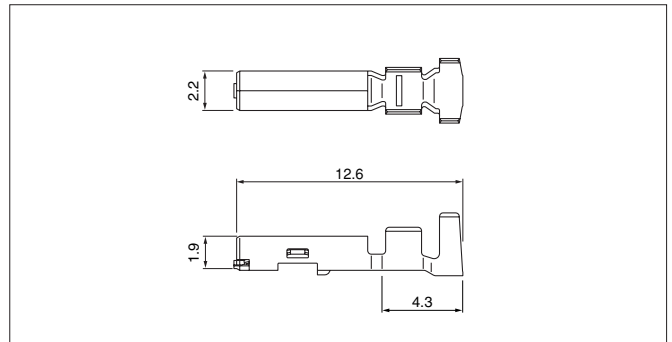
Material and Finish

Copper alloy, tin-plated

RoHS compliance

Contact	Crimping machine	Applicator		
		Crimp applicator	Dies	Crimp applicator with dies
SSM-21T-P1.4	AP-K2N	MKS-L	MK/SSF/M-21-14	APLMK SSF/M21-14

Receptacle contact for power supply circuit



Model No.	Applicable wire		Insulation O.D. (mm)	Q'ty / reel
	mm ²	AWG #		
SDACF-21T-P1.4	0.3 to 0.75	22 to 18	1.5 to 2.5	6,000

Material and Finish

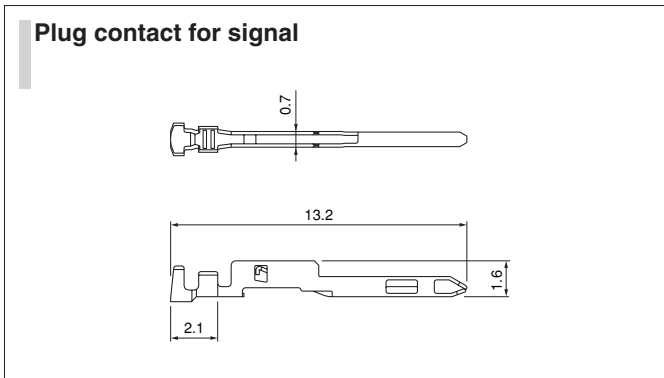
Copper alloy, tin-plated

RoHS compliance

Contact	Crimping machine	Applicator		
		Crimp applicator	Dies	Crimp applicator with dies
SDACF-21T-P1.4	AP-K2N	MKS-L	MK/SSF/M-21-14	APLMK SSF/M21-14

Plug

Plug contact for signal



Model No.	Applicable wire		Insulation O.D. (mm)	Q'ty / reel
	mm ²	AWG #		
SDACP-002T-M0.9	0.05 to 0.13	30 to 26	0.6 to 0.8	18,000

Material and Finish

Copper alloy, nickel-undercoated, tin-plated (reflow treatment)

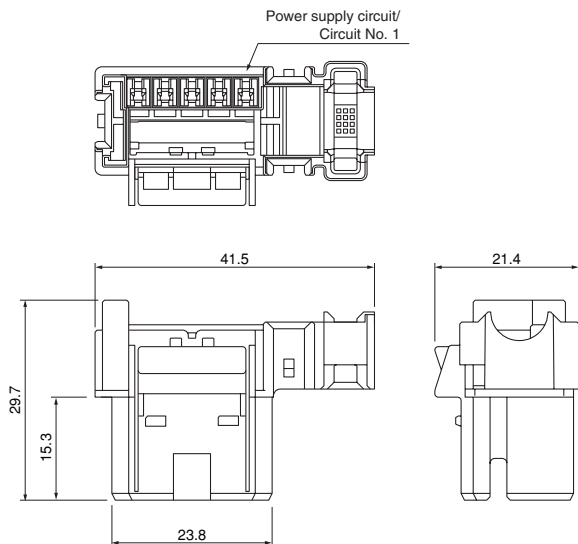
RoHS compliance This product displays (LF)(SN) on a label.

Contact	Crimping machine	Applicator		
		Crimp applicator	Dies	Crimp applicator with dies
SDACP-002T-M0.9	AP-K2N	MKS-L-10-3	MK/SRFCP-002-09	APLMK SRFCP002-09

DAC CONNECTOR

Plug

Signal 14 circuits / power 5 circuits

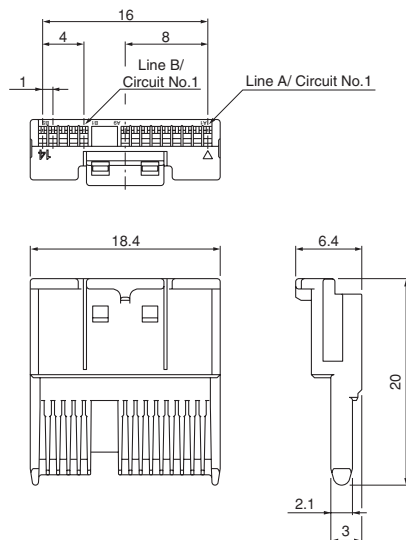


Model No.	Q'ty / box
DACPA-14P5-H	252

Material
PBT, UL94V-0, gray

RoHS compliance

Plug signal unit

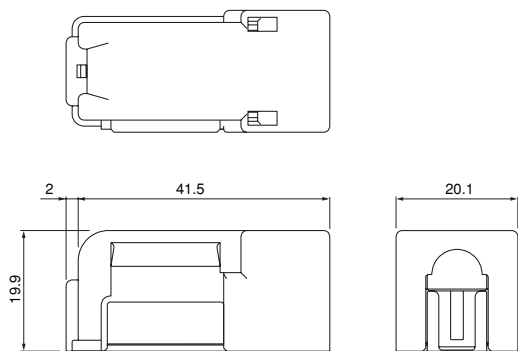


Model No.	Q'ty / box
DACYP-14(A9B5)-Z	480

Material
LCP, UL94V-0, natural

RoHS compliance

Plug cover

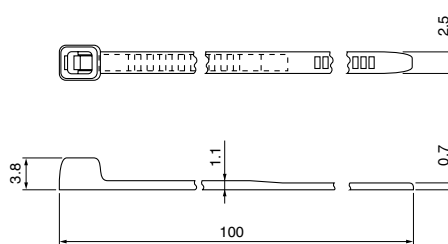


Model No.	Q'ty / box
DACC-14P5-H	315

Material
PBT, UL94V-0, gray

RoHS compliance

Tie lock



Model No.	Q'ty / box
KB-100-1	1,000

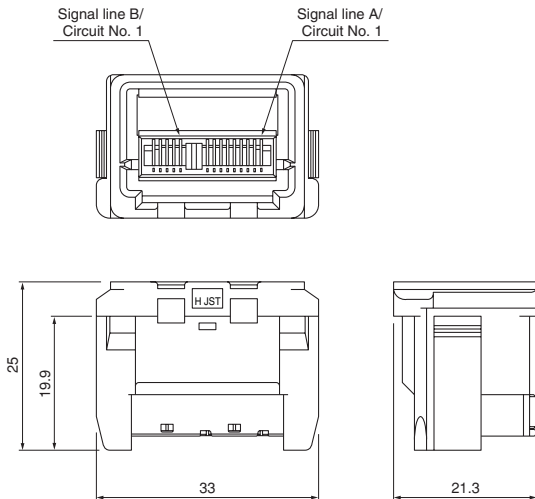
Material
PA 66, natural

RoHS compliance
Note: Not CSA approved.

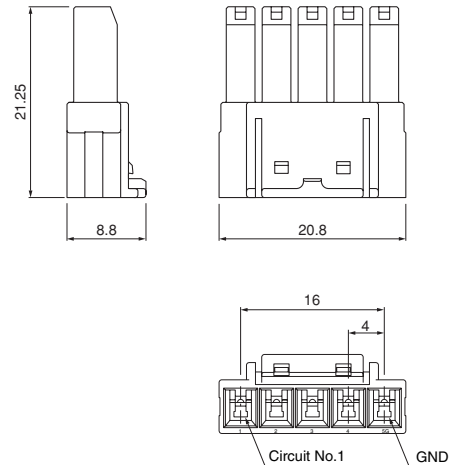
DAC CONNECTOR

Receptacle

Signal 14 circuits / power 5 circuits



Power supply unit



Model No.	Q'ty / box
14P5RA-DAC-HT	240

Material and Finish
Contact: Copper alloy, nickel-undercoated, tin-plated (reflow treatment) Housing: PBT, UL94V-0, gray

RoHS compliance This product displays (LF)(SN) on a label.

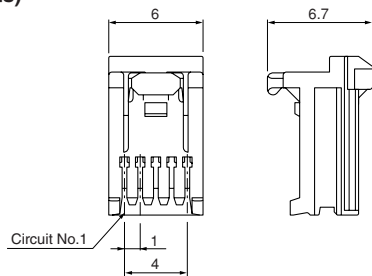
Model No.	Q'ty / box
DACYR-P5-5G-H	120

Material
PBT, UL94V-0, gray

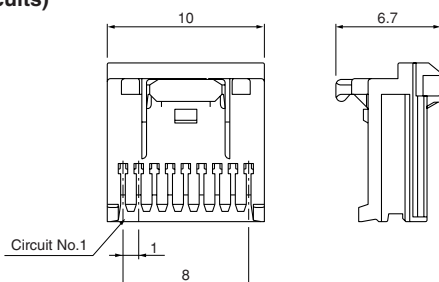
RoHS compliance

CSR connector socket

(5 circuits)



(9 circuits)



Circuits	Model No.	Q'ty / box
5	05CSR-8PK	9,000
9	09CSR-8PK	5,400

Material and Finish
Contact: Copper alloy, tin-plated Housing: PBT, UL94V-0, pink

RoHS compliance

Applicable wire	UL11079, UL3619, UL3855, UL11030 (Contact JST for details regarding other UL style.) AWG#27, #28 Conductor/ 7 strands, tin-coated annealed copper Insulation O.D./ 0.65 to 0.73mm
-----------------	---