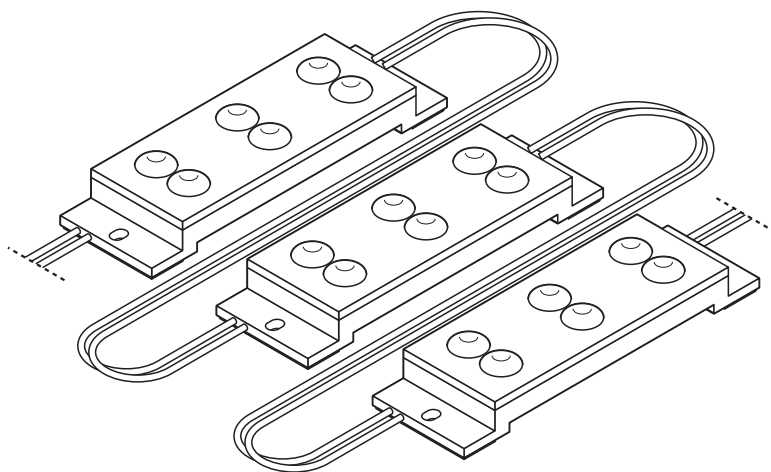


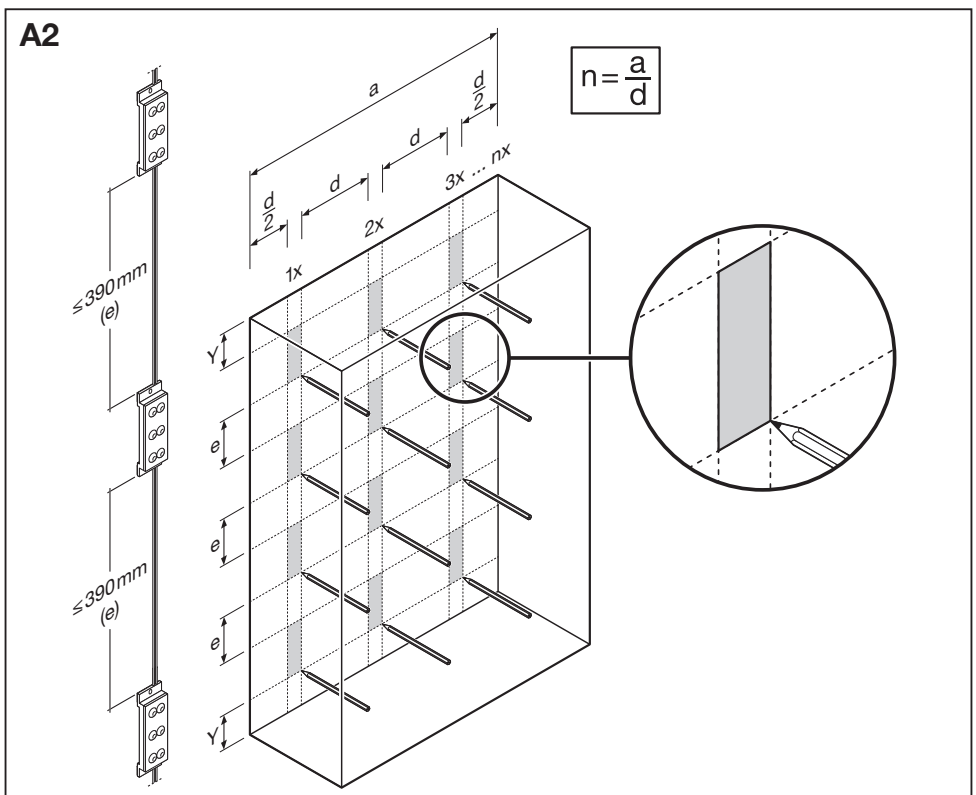
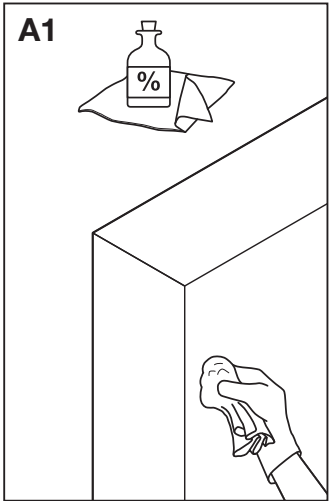
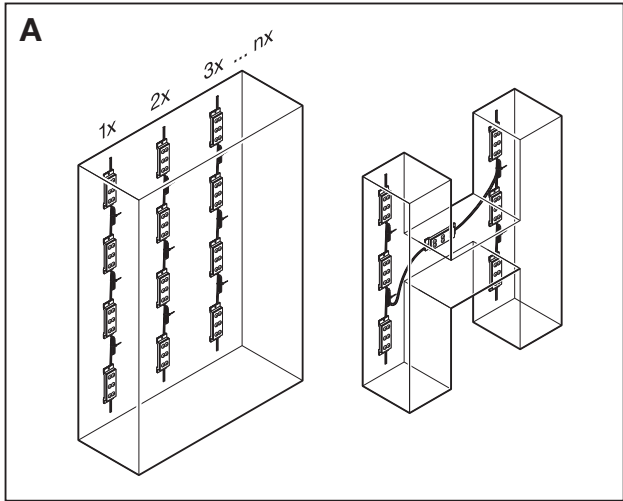
BackLED® XL Plus G15

BA-XL-PL 865 G15 100W 24V – EAN 4052899245815

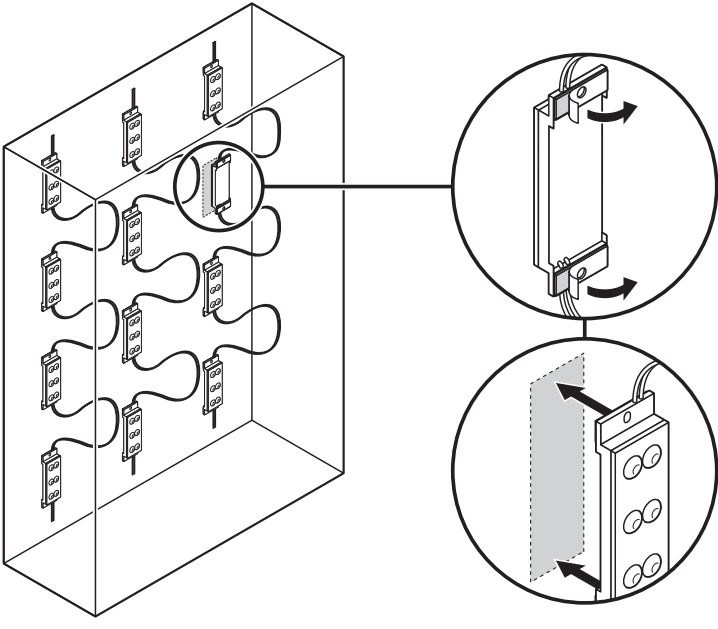
BA-XL-PL 840 G15 100W 24V – EAN 4052899245839

BA-XL-PL 830 G15 100W 24V – EAN 4052899245853

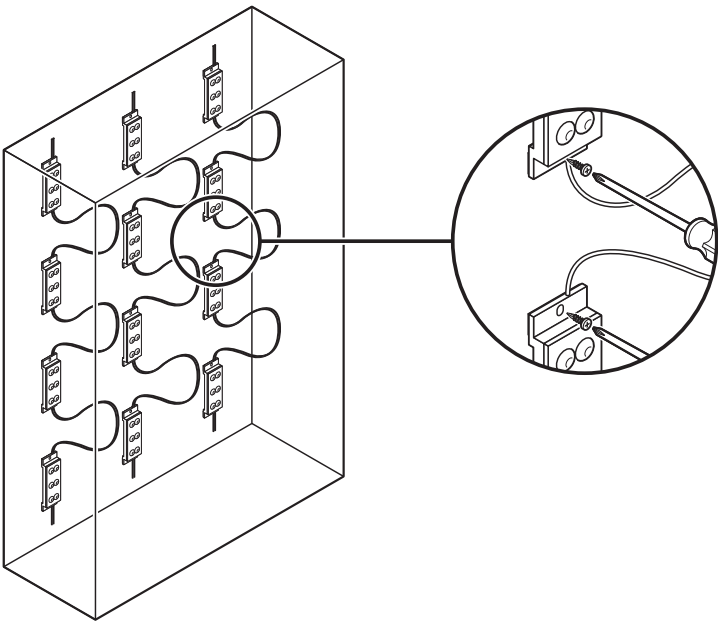




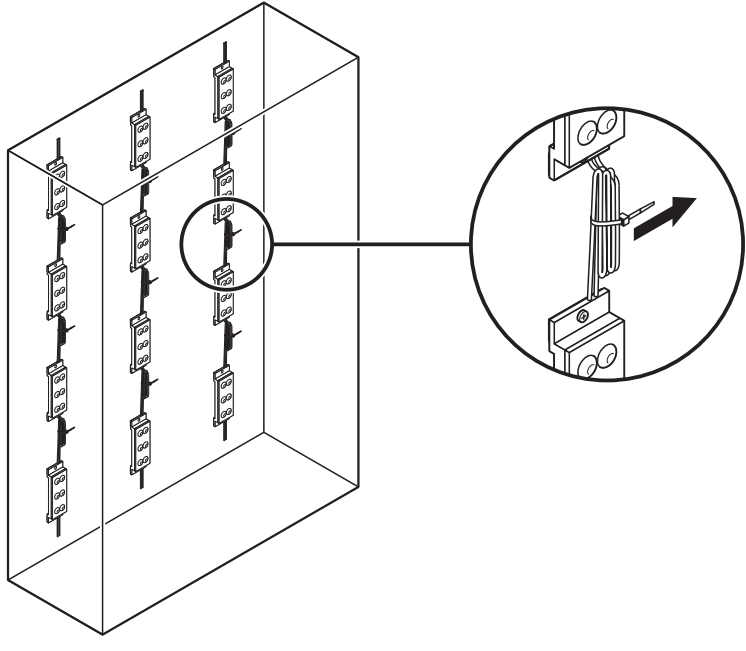
A3



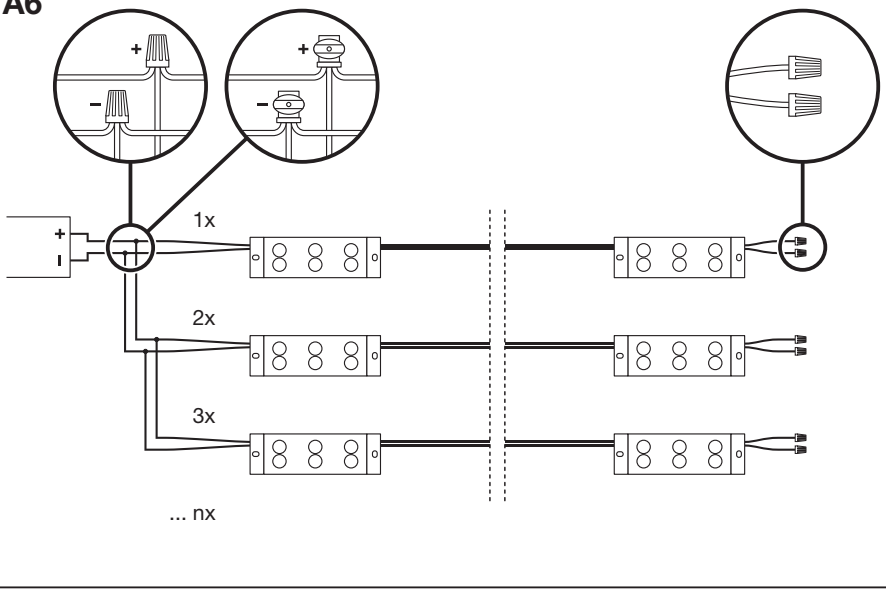
A4

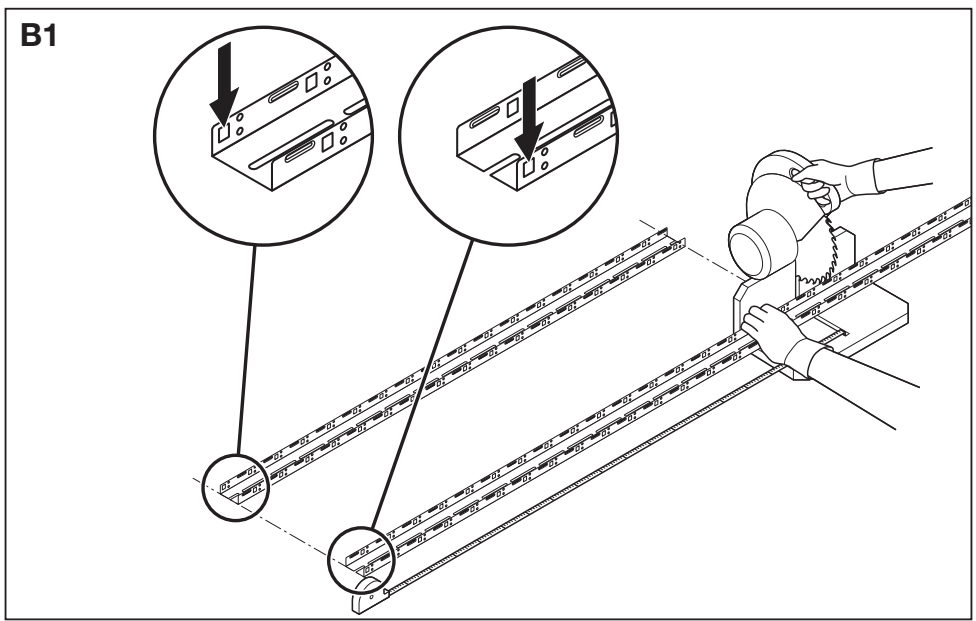
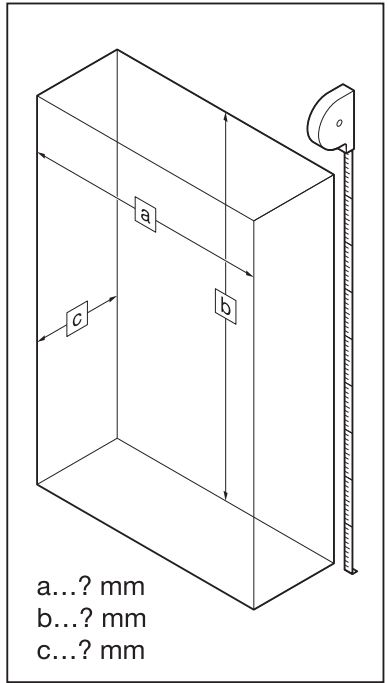
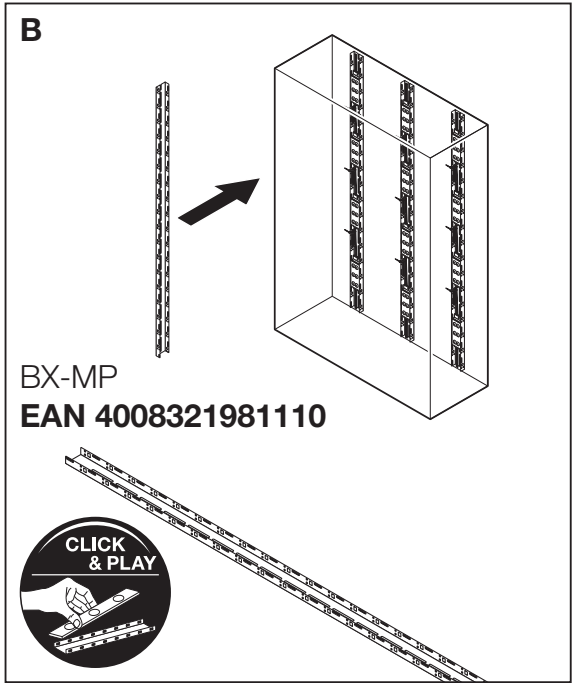


A5

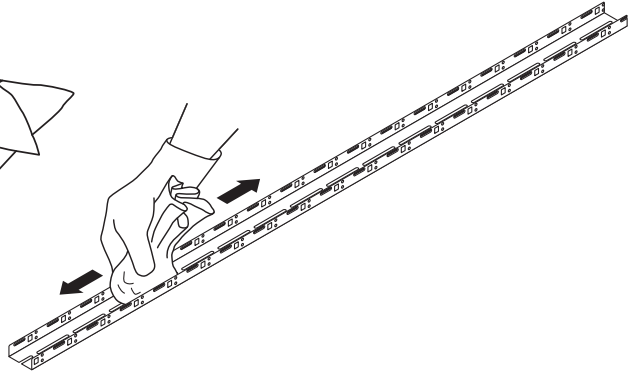
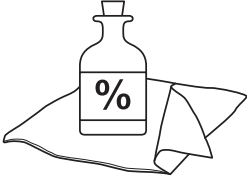


A6

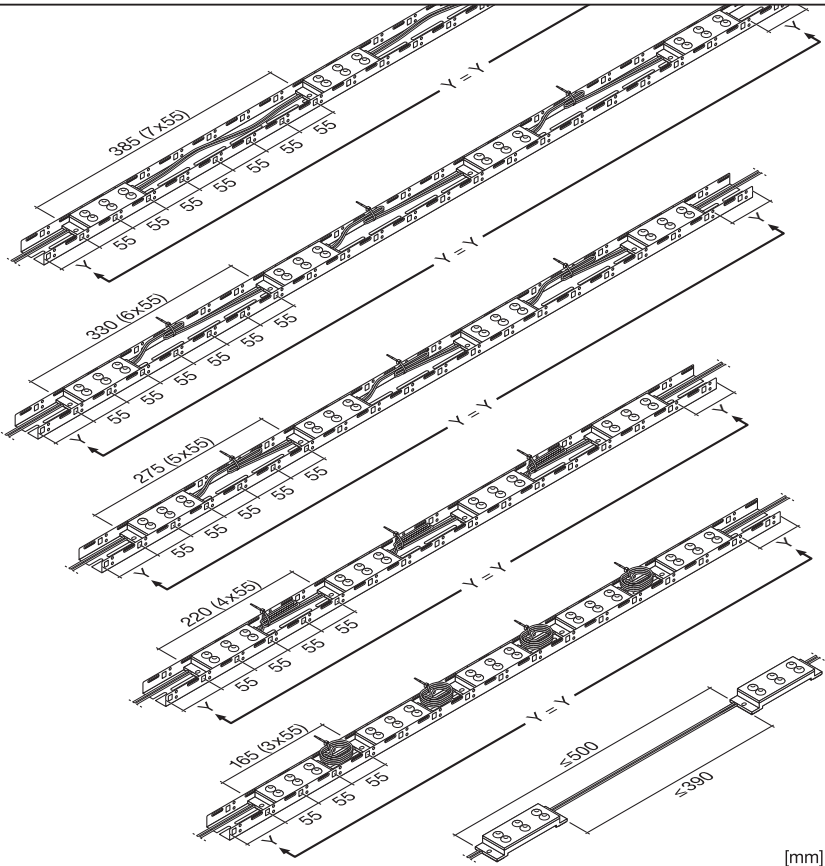


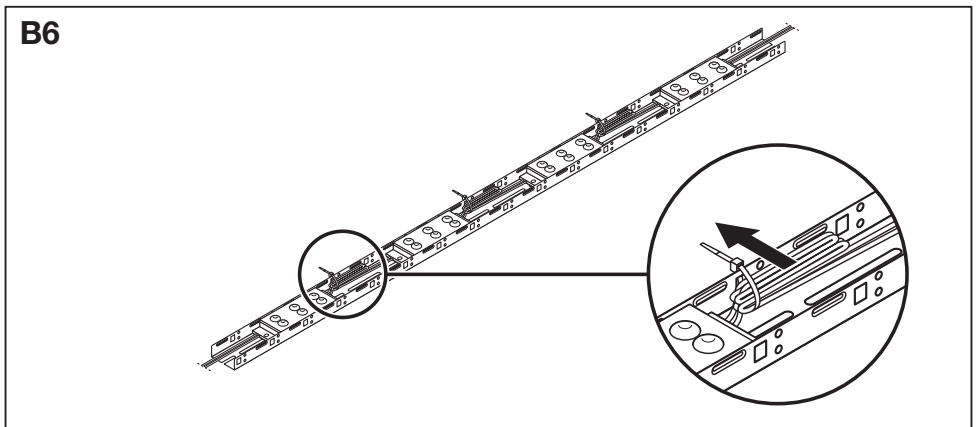
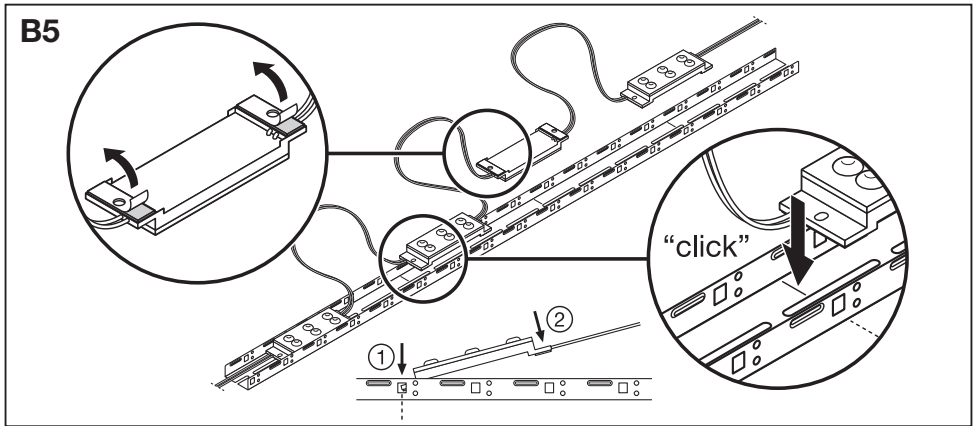
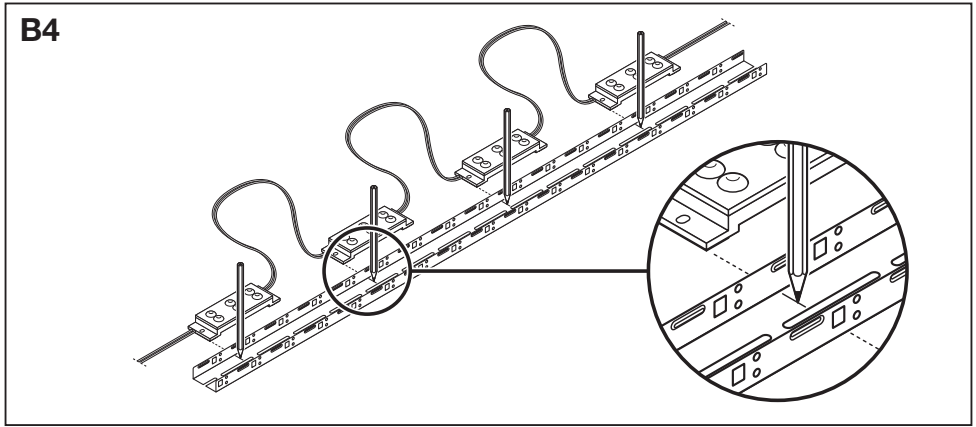


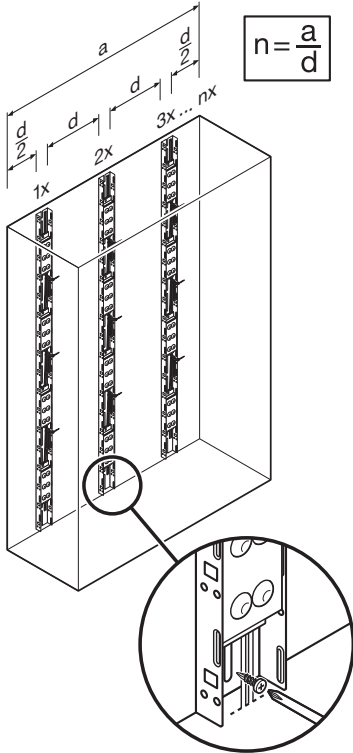
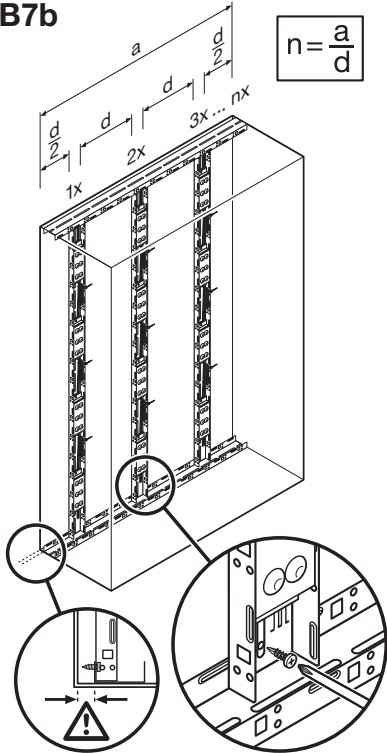
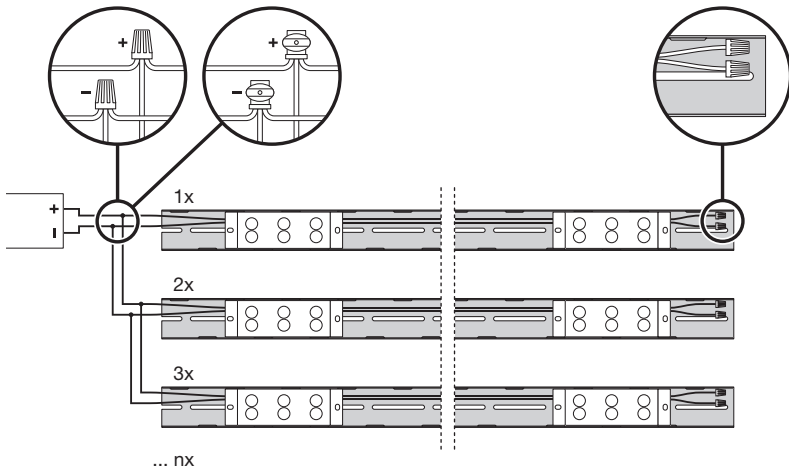
B2



B3





B7a**B7b****B8**

OSRAM China Lighting Ltd.
 No. 1 North Industrial Road
 Postal Code: 528000
 Foshan, Guangdong
 China



C10449058
 G10533495
 24.09.14

OSRAM GmbH
 Steinerne Furt 62
 86167 Augsburg
 Germany
www.osram.com