

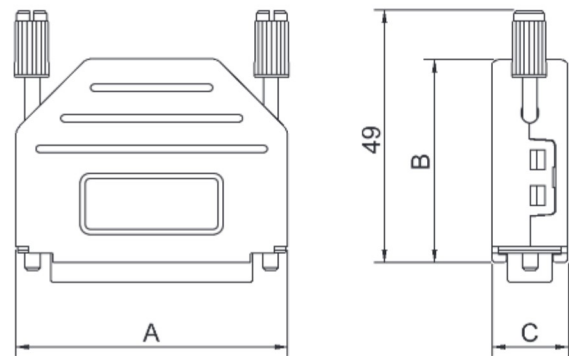
TECHNICAL SPECIFICATIONS

D-Sub Hood:

Housing material:	Polyamid, UL-recognised
Operating Temperature:	-55°C to +105°C
Cable Entry:	Top
Thumbscrews:	UNC 4-40 (Standard)
Cable O.D:	Up to 11,5mm

D-Sub Crimp:

Insulator:	PBT, Black, UL94 V-0
Shell:	Stamped Steel, Tin Plated
Contact pins:	Copper Alloy
Machined pins Class 2:	200 inserts min
Contacts Plating:	Hard Gold over Nickel
Operating Temperature:	-55°C to +125°C
Test voltage:	1000V
Insulator resistance:	<5GΩ
Crimp Area (AWG):	AWG 24-20



D-Sub-Hood

Features:

- D-sub hood + Connector Crimp
- Packed in kit
- Available in sizes 9-15-25-37-50-way
- Contact Pins class 2
- D-sub hood with quick-snap locking system

Size	Dim A	Dim B	Dim C
9-way	31,5	34,0	15,0
15-way	40,0	34,0	15,0
25-way	53,5	34,0	15,0
37-way	70,0	40,0	15,0
50-way	67,5	40,0	15,0

Ordering information:**D-Sub Connector Kits (100 inserts min.)**

Size:	P/N - Kitted:	Product Code - MALE Conn. Kit
9-way	6355-0078-01	DPPK09-DBCP-K
15-way	6355-0078-02	DPPK15-DBCP-K
25-way	6355-0078-03	DPPK25-DBCP-K
37-way	6355-0078-04	DPPK37-DBCP-K
50-way	6355-0078-05	DPPK50-DBCP-K

Size:	P/N - Kitted:	Product Code - FEMALE Conn. Kit
9-way	6355-0078-11	DPPK09-DBCS-K
15-way	6355-0078-12	DPPK15-DBCS-K
25-way	6355-0078-13	DPPK25-DBCS-K
37-way	6355-0078-14	DPPK37-DBCS-K
50-way	6355-0078-15	DPPK50-DBCS-K