

## Component specification

**BME1305S-01A**

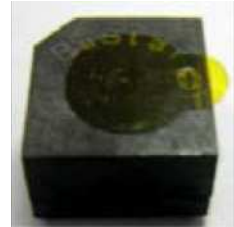
Index **A**

**Buzzer**

MBWOE

### 1. General

operating temperature:	-40°C to +85°C	component weight [g]:	2
storage temperature:	-40°C to +85°C	housing color:	black
contact:	SMD	IP rating:	
packageing:	tor	RoHs conform:	yes
ESD conform	<input checked="" type="checkbox"/>		
remark:			



### 2. Electrical and acoustical specification

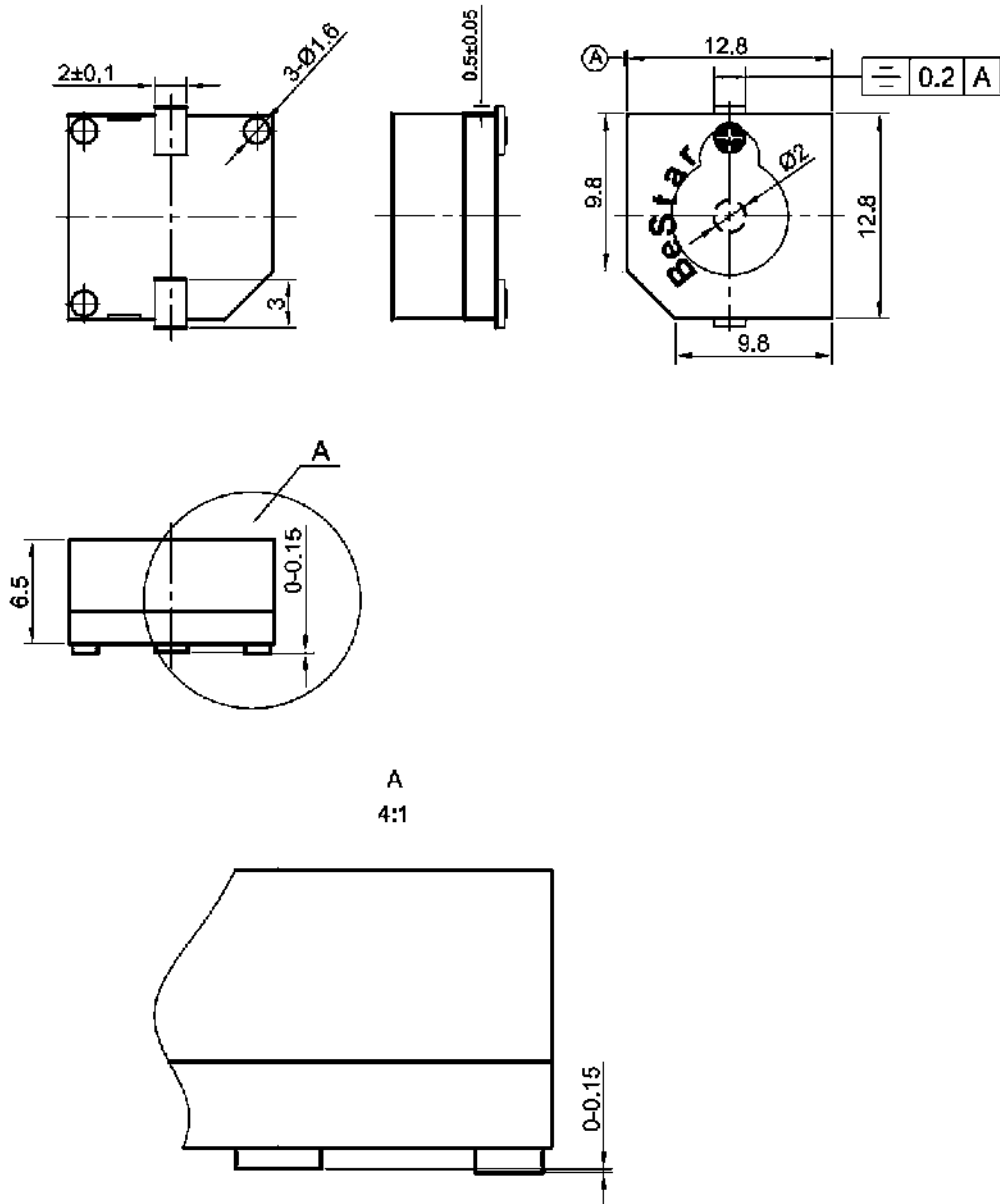
DC resistance [ $\Omega$ ]		45 $\pm$ 5
coil impedance [ $\Omega$ ]	at 2400 Hz, I = 60 $\mu$ A, sine wave	80
Resonance frequency [Hz]		2400
Rated voltage [V]	V <sub>op</sub>	5
Operating voltage [V]	V <sub>op</sub>	4 - 7
SPL [dBA]:	in 10 cm distance at 5 V <sub>op</sub> , 2400 Hz, square wave 50% duty cycle	$\geq$ 85
Current consumption [mA]	2400 Hz, 50% duty cycle, square wave	$\leq$ 40

Remark:

Frequency curve

<b>GREWUS</b>		dimensions without tolerance: $\pm$ 0.3	scale:	
Designed by: Ralf Hinnerichs	04.03.2009	part number: <b>BME1305S-01A</b>	index:	Date:
Released by: Ralf Hinnerichs	04.03.2009		<b>A</b>	04.03.2009
drawing number: <b>398765016</b>		<b>Buzzer</b>	Page 1 of 3	

3. Component drawing



A  
4:1

<b>GREWUS</b>		dimensions without tolerance: ± 0.3	scale:	
Designed by: Ralf Hinnerichs	04.03.2009	part number:	index:	Date:
Released by: Ralf Hinnerichs	04.03.2009	<b>BME1305S-01A</b>	<b>A</b>	04.03.2009
drawing number: <b>398765016</b>		<b>Buzzer</b>		Page 2 of 3

