

- Compact metal case with screw terminal block
- Dual output models with isolated outputs
- Universal input 85 - 264 Vac
- EMI/EMC compliance with EN 61000-6-3 and EN 61000-6-1
- Compliance to EN 61000-3-2
- Short circuit and overvoltage protection
- International safety approvals
- 3 year product warranty



The TRACOPOWER TXL series is a family of enclosed power supplies designed for a wide range of cost critical applications. With a low profile metal case and screw terminal block connection, they are easy to install in any equipment. These power supplies have universal input and comply with European EMC standards and the Low Voltage Directive (LVD).

| Models | | | | | | |
|-----------------------------|------------|----------------|---------|---------------------|--------|-----------------|
| Order Code | Power max. | Output voltage | | Output current max. | | Efficiency typ. |
| | | Vout 1 | Vout 2 | Vout 1 | Vout 2 | |
| TXL 035-3.3S | 30 W | 3.3 VDC | | 9.0 A | | 74 % |
| TXL 035-05S | 35 W | 5 VDC | | 7.0 A | | 79 % |
| TXL 035-12S | 36 W | 12 VDC | | 3.0 A | | 82 % |
| TXL 035-15S | 36 W | 15 VDC | | 2.4 A | | 84 % |
| TXL 035-24S | 36 W | 24 VDC | | 1.5 A | | 85 % |
| TXL 035-48S | 38 W | 48 VDC | | 0.8 A | | 86 % |
| TXL 035-0512D ¹⁾ | 35 W | +5 VDC | +12 VDC | 4.0 A | 2.5 A | 79 % |
| TXL 035-0524D ¹⁾ | 35 W | +5 VDC | +24 VDC | 4.0 A | 1.3 A | 79 % |
| TXL 035-1212D ¹⁾ | 36 W | +12 VDC | -12 VDC | 3.0 A | 1.5 A | 83 % |
| TXL 035-1515D ¹⁾ | 36 W | +15 VDC | -15 VDC | 2.4 A | 1.5 A | 84 % |

¹⁾ Total power should not exceed max. output power

Input Specifications

| | | |
|---|---|---|
| Input voltage range | <ul style="list-style-type: none"> – nominal – AC range (universal input) – DC range | 100 – 240 VAC 88 – 264 VAC 125 – 375 VDC (Designed for, no certification) |
| Input frequency | | 47 – 63 Hz |
| Input current at full load | – at 100 VAC | 1.0 A max. |
| Input inrush current | – at 115 VAC / 230 VAC | 30 A max. / 50 A max. |
| Zero load power consumption | only single output models: | 0.5 W max. (green mode function) |
| Recommended circuit breaker (characteristic C or slow bow fuse) | | 5 A |

Output Specifications

| | | |
|--|--|---|
| Output voltage adjustment range | | ±10 % (only Vout 1) |
| Regulation | <ul style="list-style-type: none"> – Input variation – Load variation (20 - 100%) | 1.0 % max. main output: 2.0 % max. Vout 2: 5.0 % max. |
| Minimum load | single output models: dual output models: | not required Vout 1 requires 0.3 A |
| Temperature coefficient | | 0.02 %/K |
| Start-up time | | 1 s max. |
| Rise time | single output models: dual output models: | 20 ms max. 30 ms max. |
| Hold-up time | single output models: dual output models: | 40 ms min. 60 ms min. |
| Ripple and noise (20Mhz Bandwidth) | <ul style="list-style-type: none"> – measured with external capacitors: – Vout 1 – Vout 2 | 0.1 µF and 47 µF parallel capacitor 3.3 & 5 Vout models: 70 mVp-p typ. 12 Vout model: 120 mVp-p typ. 15 & 24 Vout models: 150 mVp-p typ. 48 Vout model: 200 mVp-p typ. (-)12 VDC models: 120 mVp-p typ. 15 VDC models: 150 mVp-p typ. |
| Overload protection by current limitation | | 105 – 150 % of Iout max. |
| Short circuit protection | | hiccup mode (automatic recovery) |
| Overvoltage protection (Latch off, recovery after restart) | | 115 – 140 % of nominal Vout (only Vout 1) |
| Capacitive load | | www.tracopower.com/products/txl-capload.pdf |

General Specifications

| | | |
|-----------------------------------|---|--|
| Temperature ranges | <ul style="list-style-type: none"> – Operating – Storage | –20°C to +70°C (with derating) –40°C to +85°C |
| Output power derating | <ul style="list-style-type: none"> – Temperature – Low input voltage | 2.5 %/K above +50°C 0.8 %/V below 100 VAC |
| Cooling | | natural convection (20 lfm), no internal fan |
| Humidity (non condensing) | | 20 – 90 % rel. H max. |
| Altitude during operation | | 2000 m |
| Isolation voltage (60 sec.) | <ul style="list-style-type: none"> – Input / Output – Input / PE – Output / PE | 3000 VAC 1500 VAC 500 VAC |
| Isolation resistance (at 500 VDC) | | 100 MOhm min. |
| Leakage current (at 264 VAC/60Hz) | | 1 mA max. |

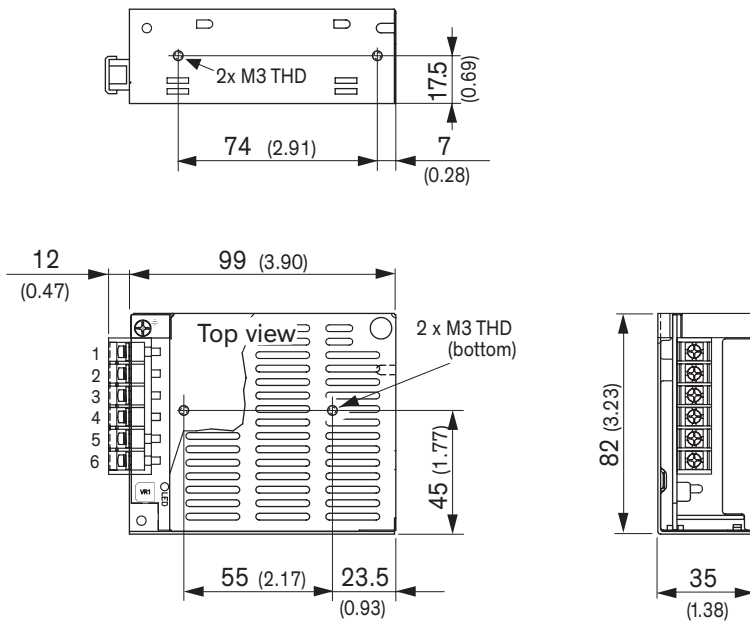
All specifications valid at nominal input voltage, full load and +25°C after warm-up time unless otherwise stated.

General Specifications (continued)

| | | |
|--|---|--|
| Switching frequency | | 65 kHz typ. (pulse width modulation) |
| Reliability (calculated MTBF) | single output models: dual output models: | > 400'000 h > 340'000 h |
| Electromagnetic compatibility (EMC), emissions | – Conducted input RI suppression – Harmonic current emissions – Voltage flicker | EN 55032 class B, FCC Part 15 level B IEC/EN 61000-3-2, class A IEC/EN 61000-3-3 |
| Electromagnets compatibility (EMC), immunity | – Electrostatic discharge ESD – RF field immunity – Electrical fast transients/burst immunity – Surge – Conducted RF – Magnetic field – Voltage dip | according EN 55024 & EN 55035 IEC/EN 61000-4-2, 4 kV / 8 kV, perf. criteria A IEC/EN 61000-4-3, 3 V/m, perf. criteria A IEC/EN 61000-4-4, ±2 kV, perf. criteria A IEC/EN 61000-4-5, 1 kV / 2 kV, perf. criteria A IEC/EN 61000-4-6, 3 Vrms perf. criteria A IEC/EN 61000-4-8, 3 A/m perf. criteria A IEC/EN 61000-4-11 >95 %, perf. criteria A, 0.5 periods 30 %, perf. criteria A, 25 periods >95 % perf. criteria B, 250 periods |
| Safety standards | | UL 60950-1, IEC/EN 60950-1 UL 62368-1, IEC/EN 62368-1 |
| Safety approvals | – UL/cUL – CB report | www.ul.com → certifications → File: e188913 www.tracopower.com/overview/txl |
| Environmental compliance | – Reach – RoHS | www.tracopower.com/products/reach-declaration.pdf RoHS directive 2011/65/EU |
| Connection | single output models: dual output models: | 5 pole terminal pitch (9.5mm with plastic cover) 6 pole terminal pitch (8.25mm with plastic cover) |
| Casing material | | nickel plated steel (chassis and cover) |
| Weight | single output models: dual output models: | 0.34 kg 0.35 kg |

All specifications valid at nominal input voltage, full load and +25°C after warm-up time unless otherwise stated.

Outline Dimensions



| Screw Terminal | | |
|----------------|--------|--------|
| Pin | Single | Dual |
| 1 | AC L | AC L |
| 2 | AC N | AC N |
| 3 | PE | PE |
| 4 | - Vout | Common |
| 5 | + Vout | Vout 1 |
| 6 | No pin | Vout 2 |

Dimensions in [mm], () = Inch
Tolerances ± 0.5 (± 0.02)