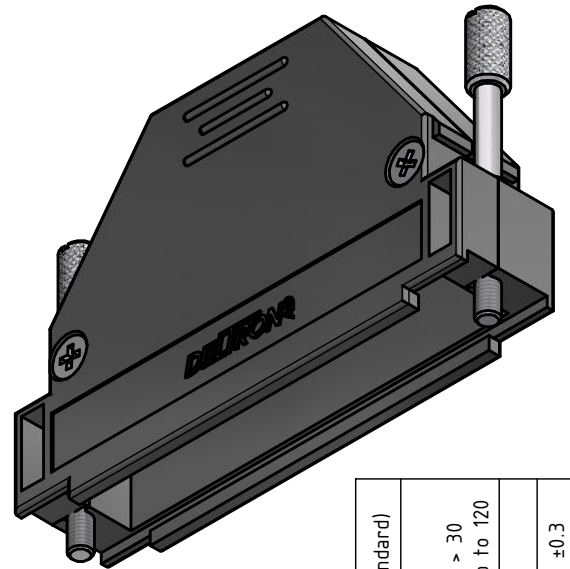
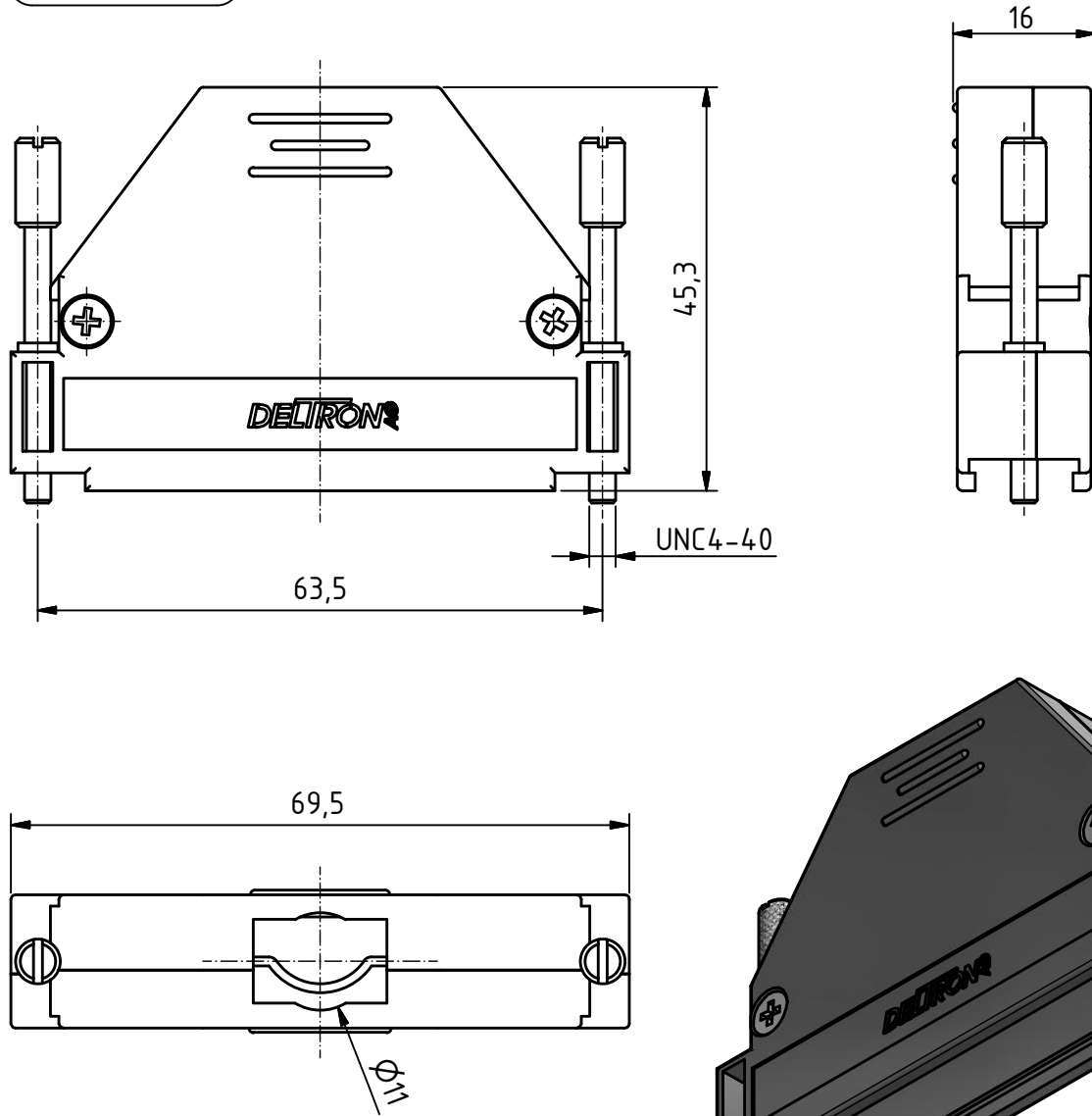


RoHS compliant



**MATERIALS**

- Hood: thermoplastic black

**CHARACTERISTICS**

- Temperature range: -40°C to +85°C
- Housing screw: with pressed in grommet
- Straight cable outlet
- Preassembled metal strain relief
- Two mobile assembled screws

- Set packed in bag

General tolerances (Deltron standard)			
size in mm	Tolerances		
	> 0.5 up to 3	> 3 up to 6	> 6 up to 30
±0.1	±0.2	±0.2	±0.3

modification	Rev.	Rev.	Rev.	DE001518 part no.		
	Rev.	Rev.	Rev.			
CTL37UN4	1.2:1 scale	drawn	03.12.2015	mw		
		checked				
		approved				
		Industrie Neuhof 8c CH-3422 Kirchberg <a href="http://www.d-sub.swiss">www.d-sub.swiss</a>		K062373 drawing no.		