

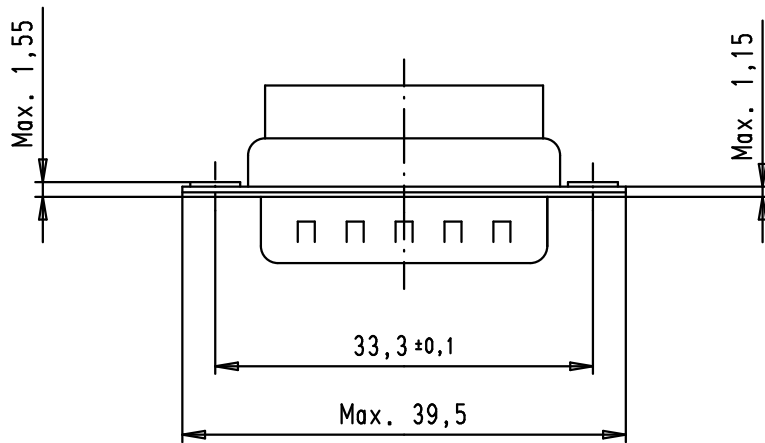
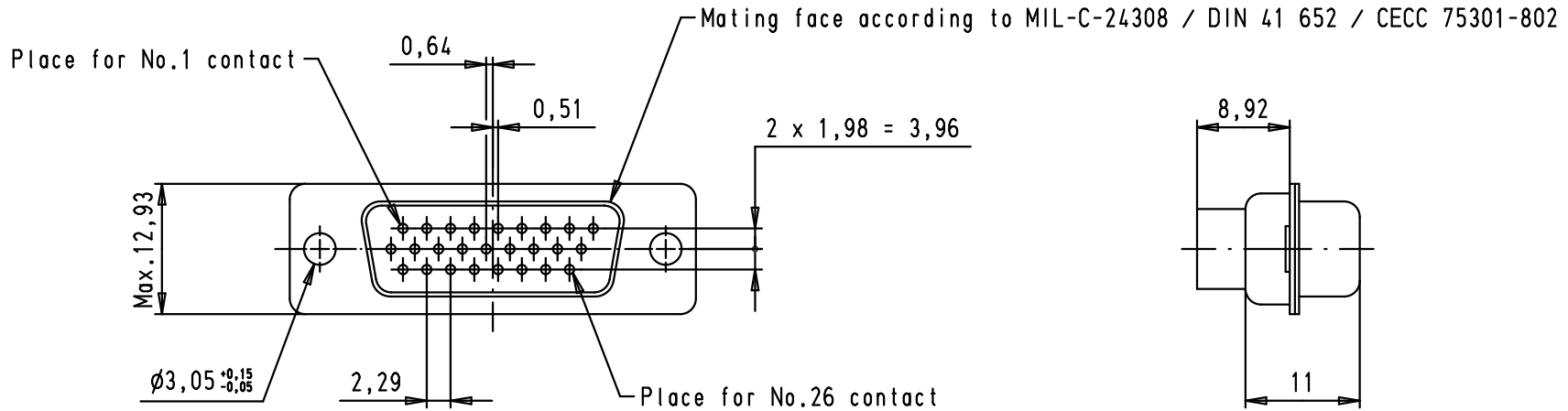
5

4

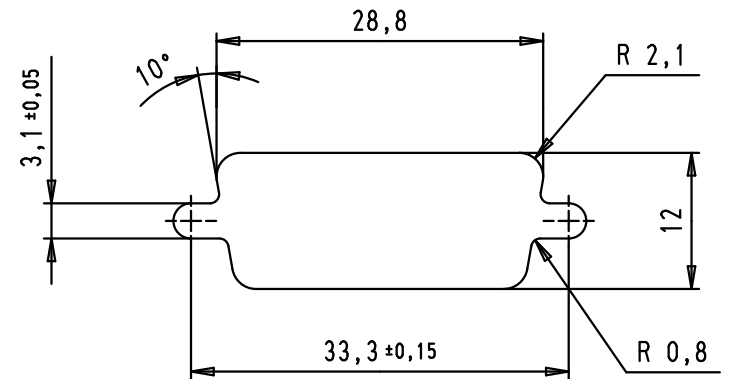
3



2

1



Panel cut out



				Det.	Name	 All Dim. in mm Orig. Size DIN A 4	D-Sub, high density, male, 26 poles, for crimp contacts	Maßstab/ Scale
			Detail.	16/09/02	CV			1,5:1
			Insp.					
			Stand.					
34618	17/10/07	PK	HARTING EURL				TB 09 56 200 5601	Blatt/ Page
31064	16/09/02	CV	F-95972 Paris					1 / 1
Mod.	Dot.	Name						Sub.